

鸿利AST

AUTOMOTIVE LED
CATALOGUE



HONGLITRONIC

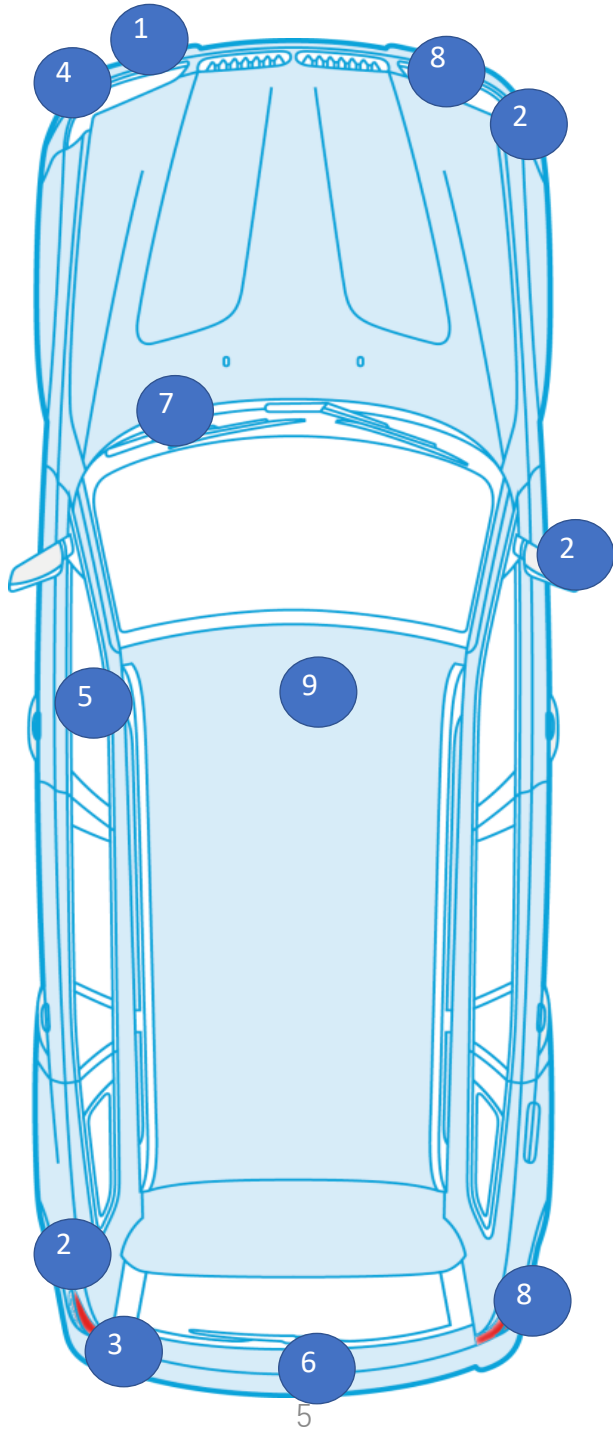
目录 CONTENTS

| | |
|--------------------|-----|
| MT1608 | 06 |
| MT2314 | 15 |
| T3528 | 33 |
| PT3528 | 56 |
| APT3433 | 73 |
| PCT 2835 | 96 |
| EMC 2720 | 126 |
| EMC 3030 | 146 |
| EMC 3030 RGB | 162 |
| EMC 3535 | 163 |
| EMC 3735 | 180 |

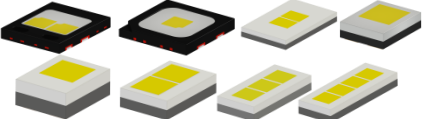
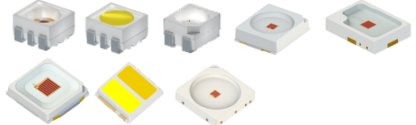
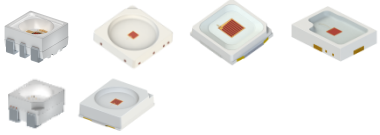
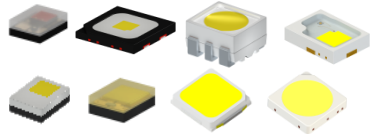
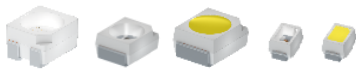
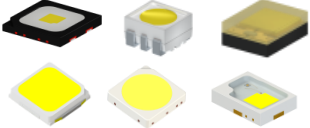
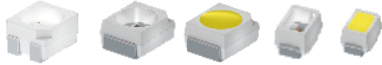
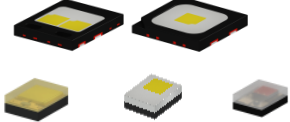
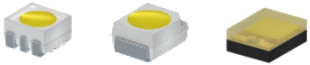
REV NO 3.6 2022

目录 CONTENTS

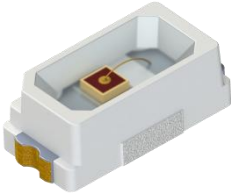
| | |
|--------------------|-----|
| HBF 3838 | 184 |
| HBF 3138 | 185 |
| Compact 1613 | 186 |
| Compact 2016 | 197 |
| Compact 3020 | 210 |
| Compact 4220 | 217 |
| Compact 5520 | 221 |
| Compact 3938 | 225 |
| Compact 6038 | 226 |



产品主要应用

| | |
|---|---|
| <p>① Head Lamp</p> | <p>② Turn Signal</p> |
|  |  |
| <p>③ Stop Lamp</p> | <p>④ DRL</p> |
|  |  |
| <p>⑤ Button Light</p> | <p>⑥ Backup Lamp</p> |
|  |  |
| <p>⑦ Dashboard Lamp</p> | <p>⑧ Fog Lamp</p> |
|  |  |
| <p>⑨ Reading Light</p> | <p>...</p> |
|  | |

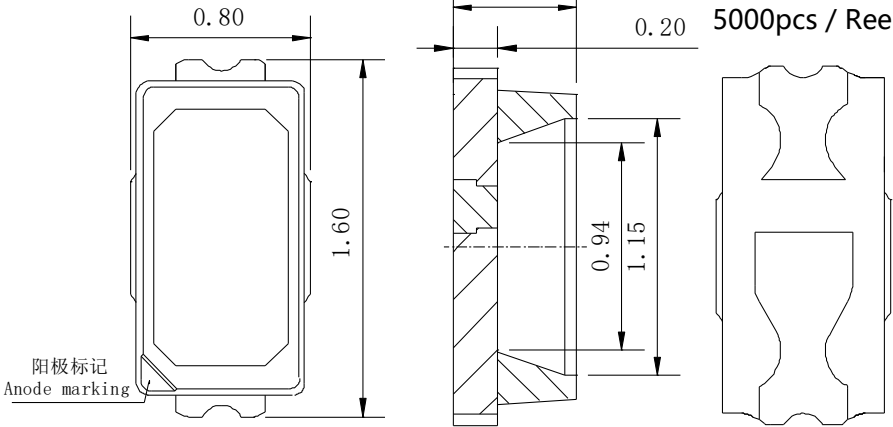
MT1608: MiniTop 1608 Series



汽车氛围灯、指示灯、背光灯、信号灯等
Automobile Ambient Light, Indicator Light, Backlight, Signal Lamp, etc.

Packing Unit

5000pcs / Reel



技术资料 / Technical Data

HVS-1608BDXA.20

发光颜色 / Emission Color

Super Red

主波长 / Dominant Wavelength

● 627-639 nm

光强 / Intensity

0.224-0.71 cd

典型电压 / Voltage (typ.)

2.20 V

典型电流 / Current (typ.)

20mA

封装 / Package

1.6*0.8*0.55

发光角度 / View Angle at 50% I_v (typ.)

120°

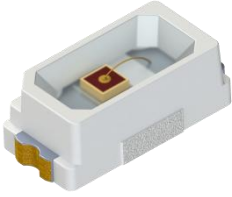
防潮等级 / Moisture Sensitivity Level

2

订购型号参考 / Order Number Reference

HVS-1608BDXA.20-T1V2-24-1

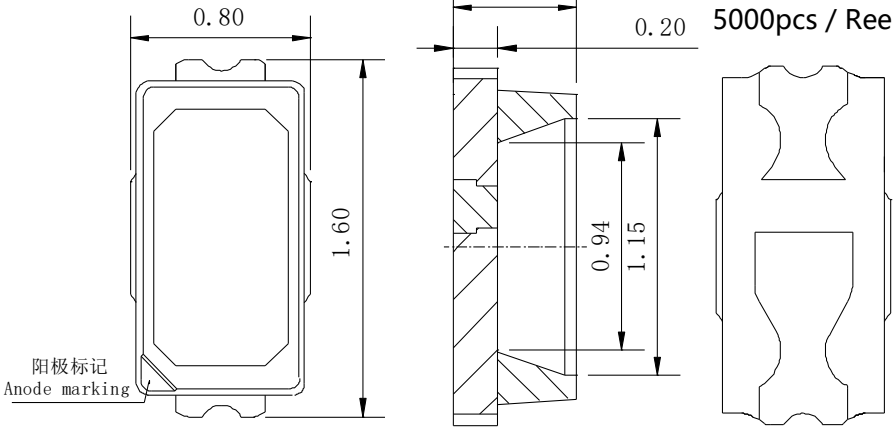
MT1608: MiniTop 1608 Series



汽车氛围灯、指示灯、背光灯、信号灯等
Automobile Ambient Light, Indicator Light, Backlight, Signal Lamp, etc.

Packing Unit

5000pcs / Reel

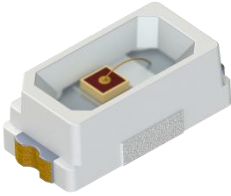


技术资料 / Technical Data

HVR-1608BDXA.20

| | |
|--|--------------|
| 发光颜色 / Emission Color | Red |
| 主波长 / Dominant Wavelength | ● 619-629 nm |
| 光强 / Intensity | 0.28-1.12 cd |
| 典型电压 / Voltage (typ.) | 2.20 V |
| 典型电流 / Current (typ.) | 20mA |
| 封装 / Package | 1.6*0.8*0.55 |
| 发光角度 / View Angle at 50% I _v (typ.) | 120° |
| 防潮等级 / Moisture Sensitivity Level | 2 |
| 订购型号参考 / Order Number Reference | |
| HVR-1608BDXA.20-T1V2-1-1 | |

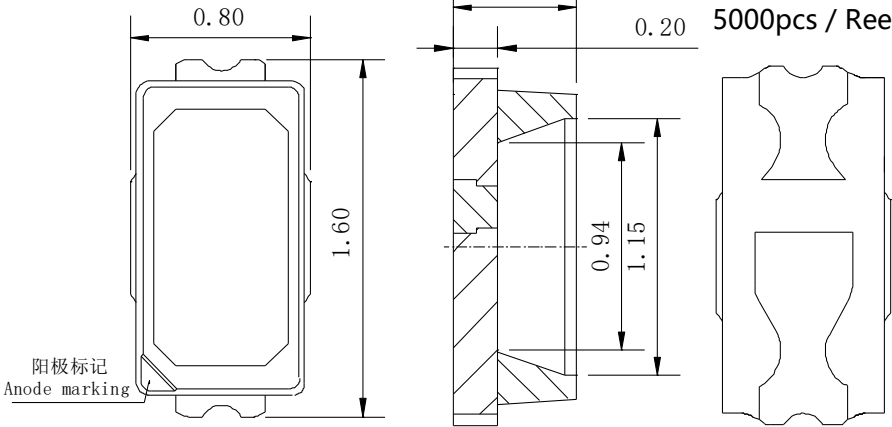
MT1608: MiniTop 1608 Series



汽车氛围灯、指示灯、背光灯、信号灯等
Automobile Ambient Light, Indicator Light, Backlight, Signal Lamp, etc.

Packing Unit

5000pcs / Reel




技术资料 / Technical Data

HVA-1608BDXA.20

发光颜色 / Emission Color

Amber

主波长 / Dominant Wavelength

 612-624 nm

光强 / Intensity

0.28-1.12 cd

典型电压 / Voltage (typ.)

2.20 V

典型电流 / Current (typ.)

20mA

封装 / Package

1.6*0.8*0.55

发光角度 / View Angle at 50% I_v (typ.)

120°

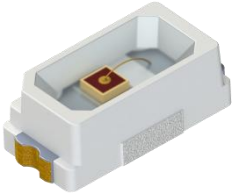
防潮等级 / Moisture Sensitivity Level

2

订购型号参考 / Order Number Reference

HVA-1608BDXA.20-T1V2-24-1

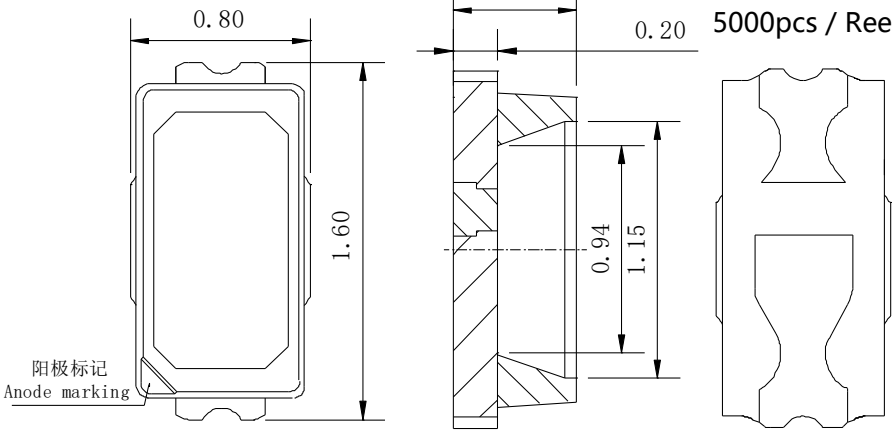
MT1608: MiniTop 1608 Series



汽车氛围灯、指示灯、背光灯、信号灯等
Automobile Ambient Light, Indicator Light, Backlight, Signal Lamp, etc.

Packing Unit

5000pcs / Reel

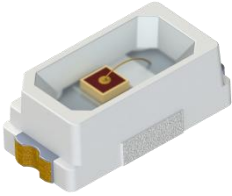


技术资料 / Technical Data

HVO-1608BDXA.20

| | |
|--|--------------|
| 发光颜色 / Emission Color | Orange |
| 主波长 / Dominant Wavelength | ● 600-612 nm |
| 光强 / Intensity | 0.28-0.90 cd |
| 典型电压 / Voltage (typ.) | 2.20 V |
| 典型电流 / Current (typ.) | 20mA |
| 封装 / Package | 1.6*0.8*0.55 |
| 发光角度 / View Angle at 50% I _v (typ.) | 120° |
| 防潮等级 / Moisture Sensitivity Level | 2 |
| 订购型号参考 / Order Number Reference | |
| HVO-1608BDXA.20-T1V2-24-1 | |

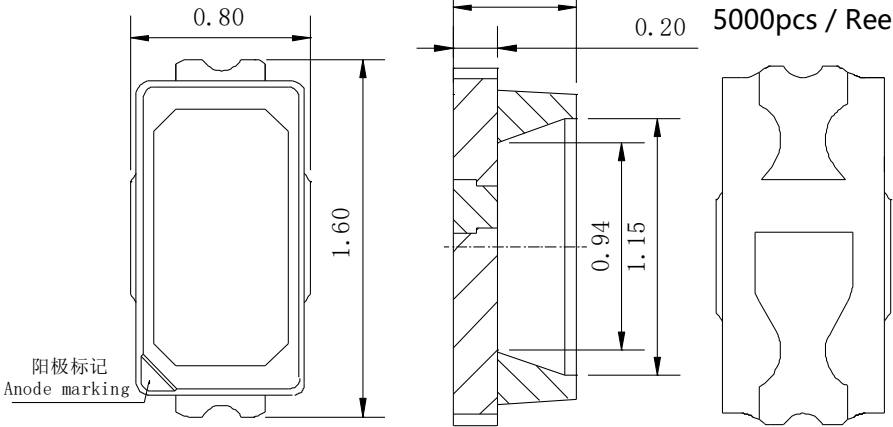
MT1608: MiniTop 1608 Series



汽车氛围灯、指示灯、背光灯、信号灯等
Automobile Ambient Light, Indicator Light, Backlight, Signal Lamp, etc.

Packing Unit

5000pcs / Reel




技术资料 / Technical Data

HVY-1608BDXA.20

发光颜色 / Emission Color

Yellow

主波长 / Dominant Wavelength

 583-595 nm

光强 / Intensity

0.224-0.71 cd

典型电压 / Voltage (typ.)

2.20 V

典型电流 / Current (typ.)

20mA

封装 / Package

1.6*0.8*0.55

发光角度 / View Angle at 50% I_v (typ.)

120°

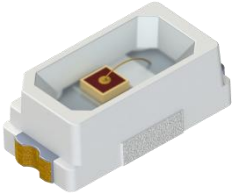
防潮等级 / Moisture Sensitivity Level

2

订购型号参考 / Order Number Reference

HVY-1608BDXA.20-T1V2-24-1

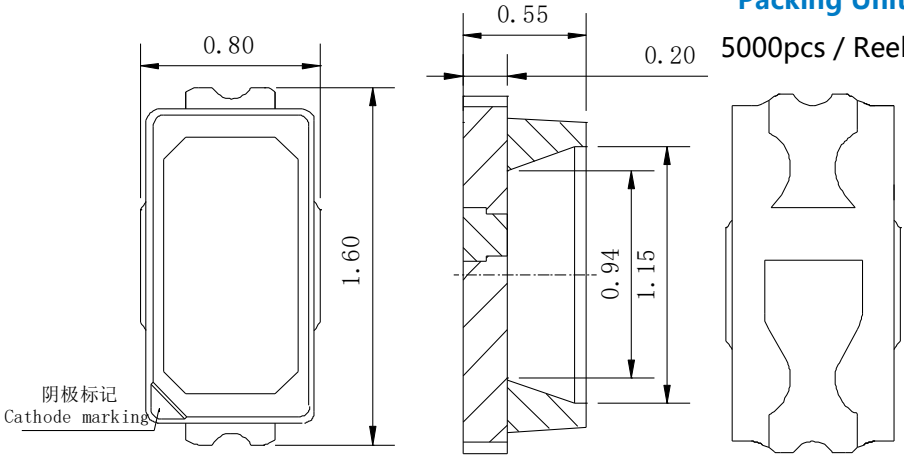
MT1608: MiniTop 1608 Series



汽车氛围灯、指示灯、背光灯、信号灯等
Automobile Ambient Light, Indicator Light, Backlight, Signal Lamp, etc.

Packing Unit

5000pcs / Reel



技术资料 / Technical Data

HVB-1608BDX.20

发光颜色 / Emission Color

Blue

主波长 / Dominant Wavelength

● 464-476 nm

光强 / Intensity

0.224-0.71 cd

典型电压 / Voltage (typ.)

2.20 V

典型电流 / Current (typ.)

20mA

封装 / Package

1.6*0.8*0.55

发光角度 / View Angle at 50% I_v (typ.)

120°

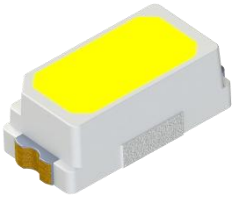
防潮等级 / Moisture Sensitivity Level

2

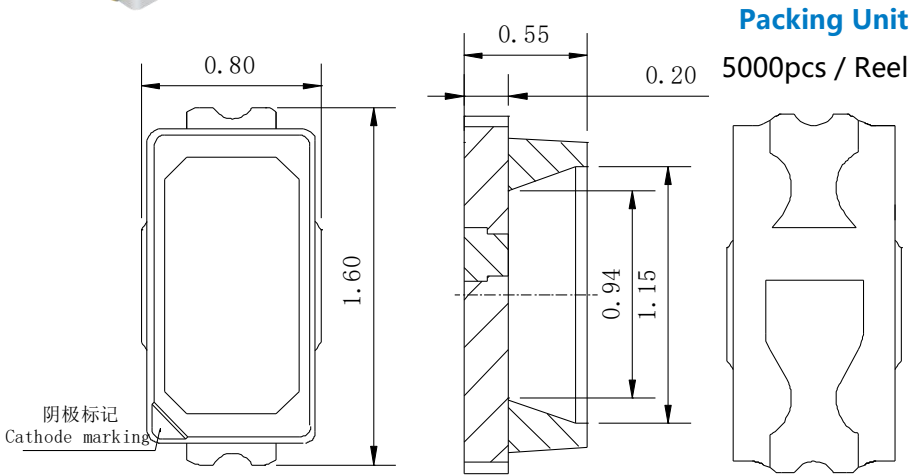
订购型号参考 / Order Number Reference

HVB-1608BDX.20-T1V2-24-1

MT1608: MiniTop 1608 Series

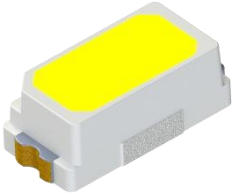


汽车氛围灯、指示灯、背光灯、信号灯等
Automobile Ambient Light, Indicator Light, Backlight, Signal Lamp, etc.

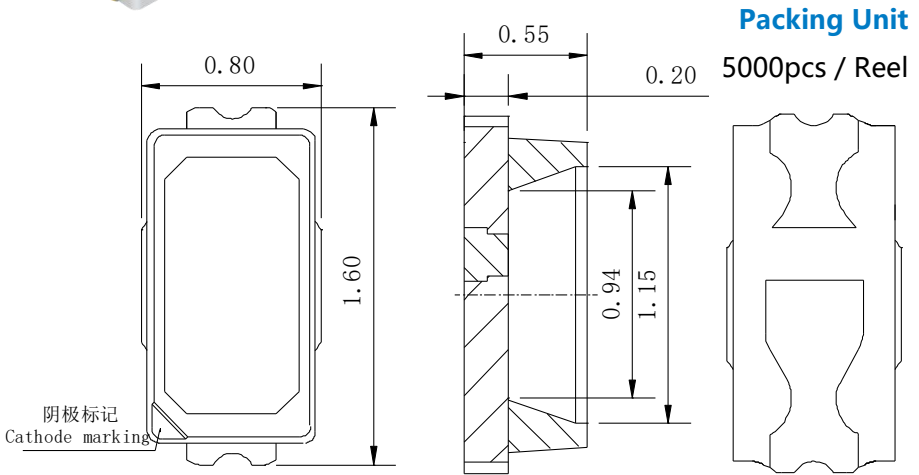


| 技术资料 / Technical Data | HVCB-1608BDX.20 |
|--|----------------------|
| 发光颜色 / Emission Color | Color on demand Blue |
| 典型色坐标 / Color acc. to CIE 1931 (typ.) | ● 0.20, 0.30 |
| 光强 / Intensity | 0.71-1.80 cd |
| 典型电压 / Voltage (typ.) | 3.15 V |
| 典型电流 / Current (typ.) | 20mA |
| 封装 / Package | 1.6*0.8*0.55 |
| 发光角度 / View Angle at 50% I _v (typ.) | 120° |
| 防潮等级 / Moisture Sensitivity Level | 2 |
| 订购型号参考 / Order Number Reference | |
| HVCB-1608BDX.20-V1AZ-2L8J-1 | |

MT1608: MiniTop 1608 Series

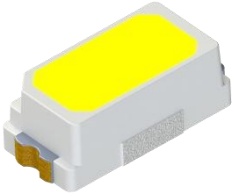


汽车氛围灯、指示灯、背光灯、信号灯等
Automobile Ambient Light, Indicator Light, Backlight, Signal Lamp, etc.

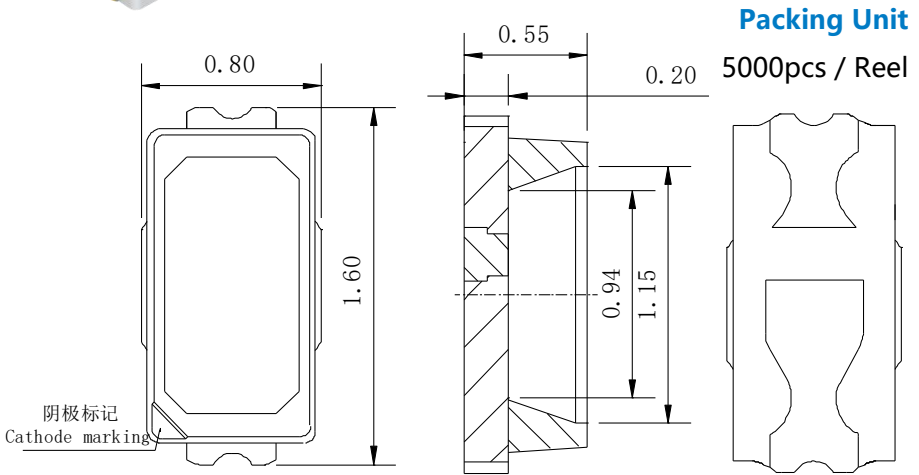


| 技术资料 / Technical Data | HVCW-1608BDX.20 |
|--|-----------------------|
| 发光颜色 / Emission Color | Color on demand White |
| 典型色坐标 / Color acc. to CIE 1931 (typ.) | ○ 0.33, 0.33 |
| 光强 / Intensity | 0.71-2.10 cd |
| 典型电压 / Voltage (typ.) | 3.15 V |
| 典型电流 / Current (typ.) | 20mA |
| 封装 / Package | 1.6*0.8*0.55 |
| 发光角度 / View Angle at 50% I _v (typ.) | 120° |
| 防潮等级 / Moisture Sensitivity Level | 2 |
| 订购型号参考 / Order Number Reference | |
| HVCW-1608BDX.20-V1BX-FK0PN0-1 | |

MT1608: MiniTop 1608 Series



汽车氛围灯、指示灯、背光灯、信号灯等
Automobile Ambient Light, Indicator Light, Backlight, Signal Lamp, etc.




技术资料 / Technical Data

HVCY-1608BDX.20

发光颜色 / Emission Color

Color on demand Yellow

典型色坐标 / Color acc. to CIE 1931 (typ.)

 0.57, 0.42

光强 / Intensity

0.71-2.10 cd

典型电压 / Voltage (typ.)

3.15 V

典型电流 / Current (typ.)

20mA

封装 / Package

1.6*0.8*0.55

发光角度 / View Angle at 50% I_v (typ.)

120°

防潮等级 / Moisture Sensitivity Level

2

订购型号参考 / Order Number Reference

HVCY-1608BDX.20-V1BX-5E-1

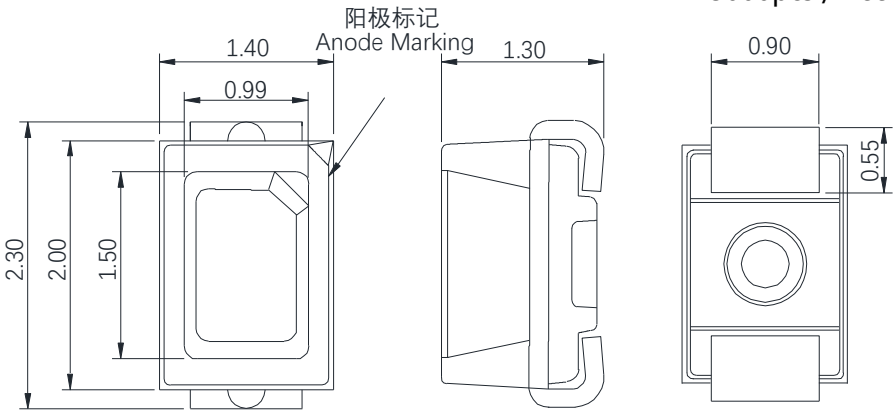
MT2314: MiniTop 2314 Series



汽车氛围灯、指示灯、背光灯、信号灯等
Automobile Ambient Light, Indicator
Light, Backlight, Signal Lamp, etc.

Packing Unit

3000pcs / Reel



| 技术资料 / Technical Data | HVS-2314KDXA |
|--|---|
| 发光颜色 / Emission Color | Super Red |
| 主波长 / Dominant Wavelength | ● 627-639 nm |
| 光强 / Intensity | 0.224-0.71 cd |
| 典型电压 / Voltage (typ.) | 2.20 V |
| 典型电流 / Current (typ.) | 20 mA |
| 封装 / Package | 2.3 x 1.4 x 1.3 |
| 发光角度 / View Angle at 50% I _v (typ.) | 120° |
| 防潮等级 / Moisture Sensitivity Level | 2 |
| 订购型号参考 / Order Number Reference | |
| HVS-2314KDXA-S2U2-1-1 | |

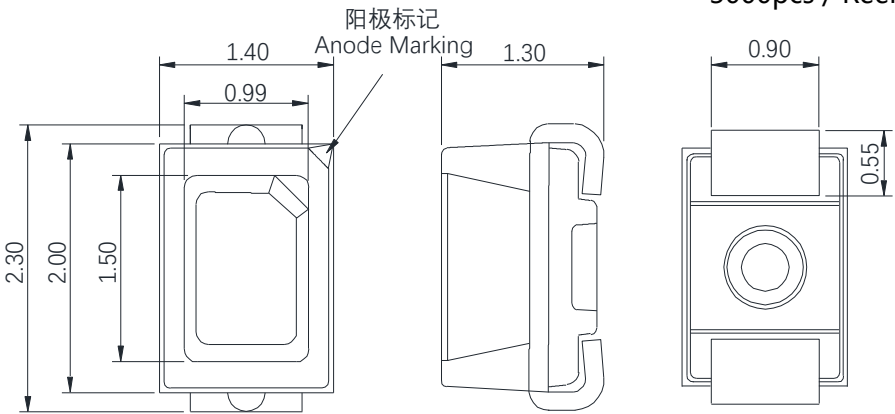
MT2314: MiniTop 2314 Series



汽车氛围灯、指示灯、背光灯、信号灯等
Automobile Ambient Light, Indicator
Light, Backlight, Signal Lamp, etc.

Packing Unit

3000pcs / Reel




技术资料 / Technical Data

HVS-2314KPXA

发光颜色 / Emission Color

Super Red

主波长 / Dominant Wavelength

 627-639 nm

光强 / Intensity

0.224-0.71 cd

典型电压 / Voltage (typ.)

2.20 V

典型电流 / Current (typ.)

20 mA

封装 / Package

2.3 x 1.4 x 1.3

发光角度 / View Angle at 50% I_v (typ.)

120°

防潮等级 / Moisture Sensitivity Level

2

订购型号参考 / Order Number Reference

HVS-2314KPXA-S2U2-1-1

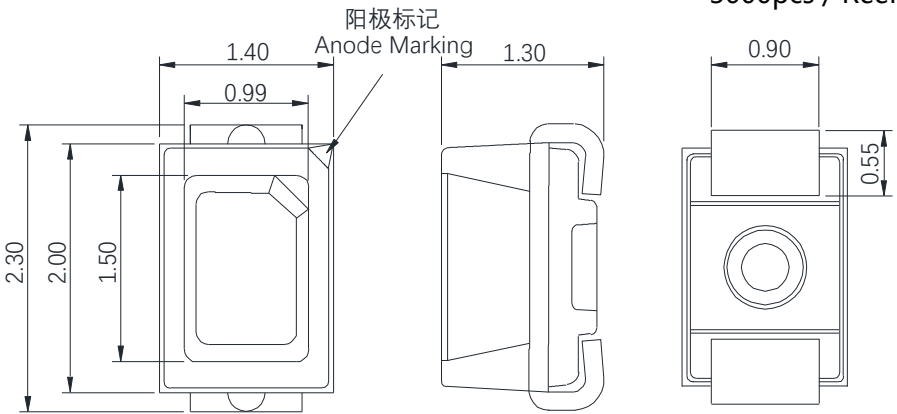
MT2314: MiniTop 2314 Series



汽车氛围灯、指示灯、背光灯、信号灯等
Automobile Ambient Light, Indicator
Light, Backlight, Signal Lamp, etc.

Packing Unit

3000pcs / Reel




技术资料 / Technical Data

HVR-2314KDXA

发光颜色 / Emission Color

Red

主波长 / Dominant Wavelength

 619-630 nm

光强 / Intensity

0.28-0.90 cd

典型电压 / Voltage (typ.)

2.20 V

典型电流 / Current (typ.)

20 mA

封装 / Package

2.3 x 1.4 x 1.3

发光角度 / View Angle at 50% I_v (typ.)

120°

防潮等级 / Moisture Sensitivity Level

2

订购型号参考 / Order Number Reference

HVR-2314KDXA-T1V1-1-1

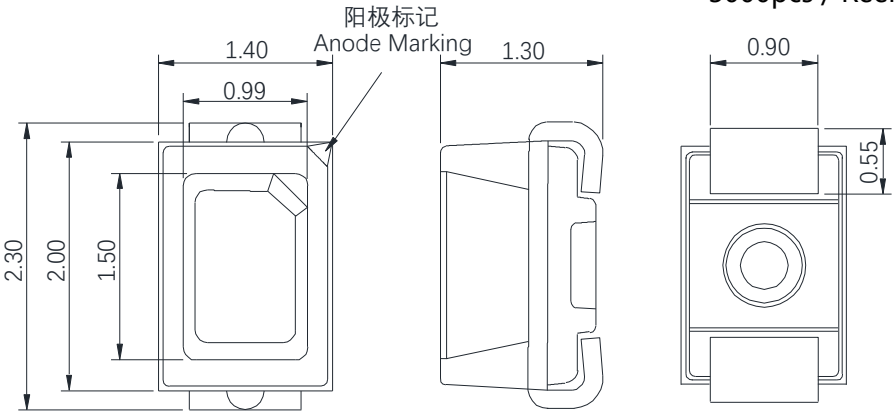
MT2314: MiniTop 2314 Series



汽车氛围灯、指示灯、背光灯、信号灯等
Automobile Ambient Light, Indicator
Light, Backlight, Signal Lamp, etc.

Packing Unit

3000pcs / Reel




技术资料 / Technical Data

HVR-2314KPXA

发光颜色 / Emission Color

Red

主波长 / Dominant Wavelength

 619-630 nm

光强 / Intensity

0.28-0.90 cd

典型电压 / Voltage (typ.)

2.20 V

典型电流 / Current (typ.)

20 mA

封装 / Package

2.3 x 1.4 x 1.3

发光角度 / View Angle at 50% I_v (typ.)

120°

防潮等级 / Moisture Sensitivity Level

2

订购型号参考 / Order Number Reference

HVR-2314KPXA-T1V1-1-1

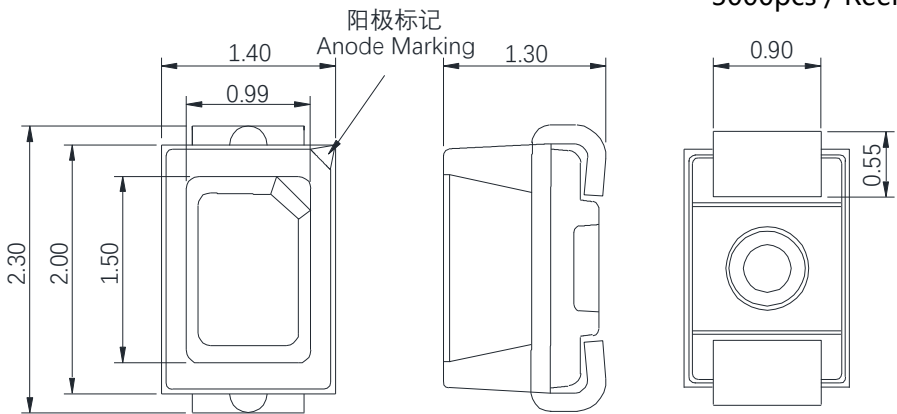
MT2314: MiniTop 2314 Series



汽车氛围灯、指示灯、背光灯、信号灯等
Automobile Ambient Light, Indicator
Light, Backlight, Signal Lamp, etc.

Packing Unit

3000pcs / Reel




技术资料 / Technical Data

HVA-2314KDXA

发光颜色 / Emission Color

Amber

主波长 / Dominant Wavelength

 612-624 nm

光强 / Intensity

0.28-0.90 cd

典型电压 / Voltage (typ.)

2.20 V

典型电流 / Current (typ.)

20 mA

封装 / Package

2.3 x 1.4 x 1.3

发光角度 / View Angle at 50% I_v (typ.)

120°

防潮等级 / Moisture Sensitivity Level

2

订购型号参考 / Order Number Reference

HVA-2314KDXA-T1V1-1-1

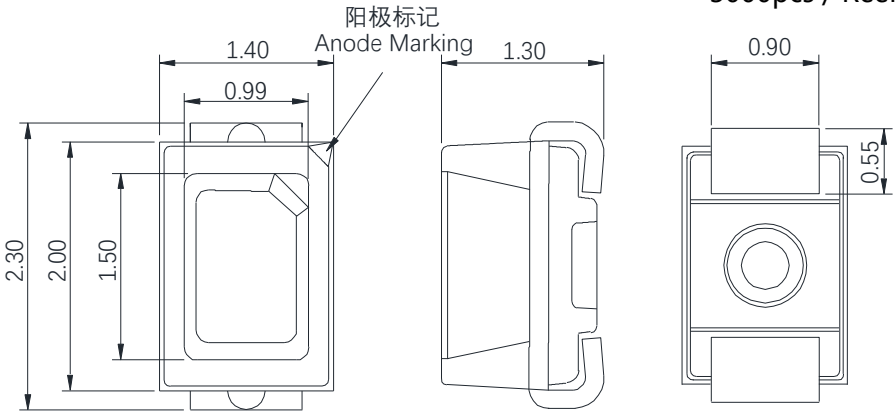
MT2314: MiniTop 2314 Series



汽车氛围灯、指示灯、背光灯、信号灯等
Automobile Ambient Light, Indicator
Light, Backlight, Signal Lamp, etc.

Packing Unit

3000pcs / Reel




技术资料 / Technical Data

HVA-2314KPXA

发光颜色 / Emission Color

Amber

主波长 / Dominant Wavelength

 612-624 nm

光强 / Intensity

0.28-0.90 cd

典型电压 / Voltage (typ.)

2.20 V

典型电流 / Current (typ.)

20 mA

封装 / Package

2.3 x 1.4 x 1.3

发光角度 / View Angle at 50% I_v (typ.)

120°

防潮等级 / Moisture Sensitivity Level

2

订购型号参考 / Order Number Reference

HVA-2314KPXA-T1V1-1-1

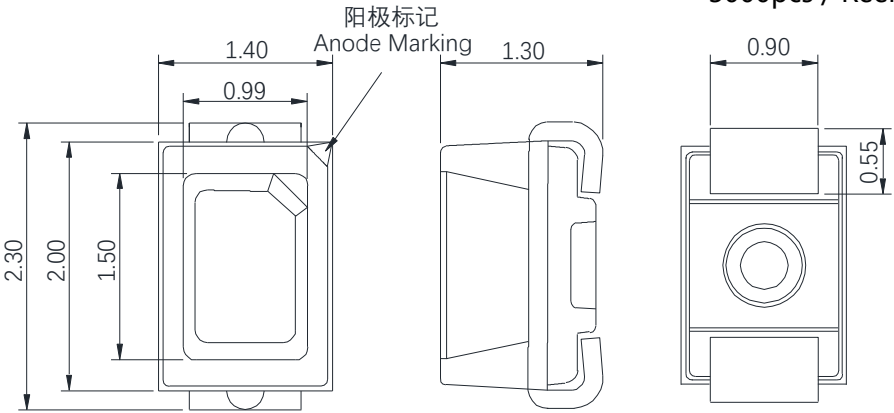
MT2314: MiniTop 2314 Series



汽车氛围灯、指示灯、背光灯、信号灯等
Automobile Ambient Light, Indicator
Light, Backlight, Signal Lamp, etc.

Packing Unit

3000pcs / Reel



技术资料 / Technical Data

HVO-2314KDXA

发光颜色 / Emission Color

Orange

主波长 / Dominant Wavelength

● 600-612 nm

光强 / Intensity

0.28-0.90 cd

典型电压 / Voltage (typ.)

2.20 V

典型电流 / Current (typ.)

20 mA

封装 / Package

2.3 x 1.4 x 1.3

发光角度 / View Angle at 50% I_v (typ.)

120°

防潮等级 / Moisture Sensitivity Level

2

订购型号参考 / Order Number Reference

HVO-2314KDXA-T1V1-1-1

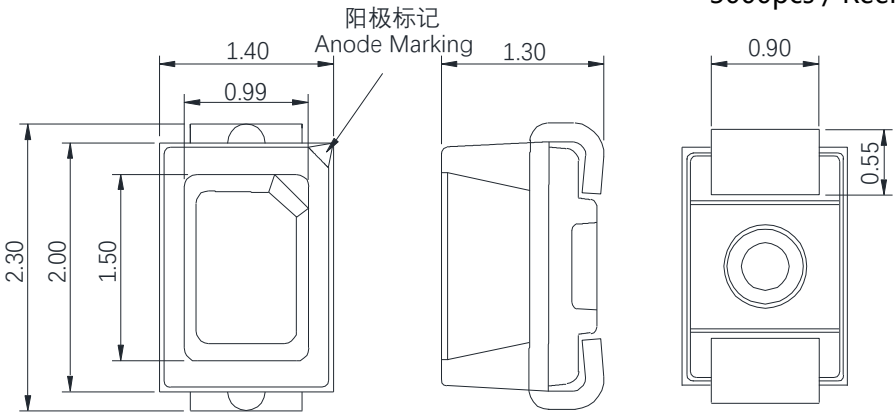
MT2314: MiniTop 2314 Series



汽车氛围灯、指示灯、背光灯、信号灯等
Automobile Ambient Light, Indicator
Light, Backlight, Signal Lamp, etc.

Packing Unit

3000pcs / Reel




技术资料 / Technical Data

HVO-2314KPXA

发光颜色 / Emission Color

Orange

主波长 / Dominant Wavelength

 600-612 nm

光强 / Intensity

0.28-0.90 cd

典型电压 / Voltage (typ.)

2.20 V

典型电流 / Current (typ.)

20 mA

封装 / Package

2.3 x 1.4 x 1.3

发光角度 / View Angle at 50% I_v (typ.)

120°

防潮等级 / Moisture Sensitivity Level

2

订购型号参考 / Order Number Reference

HVO-2314KPXA-T1V1-1-1

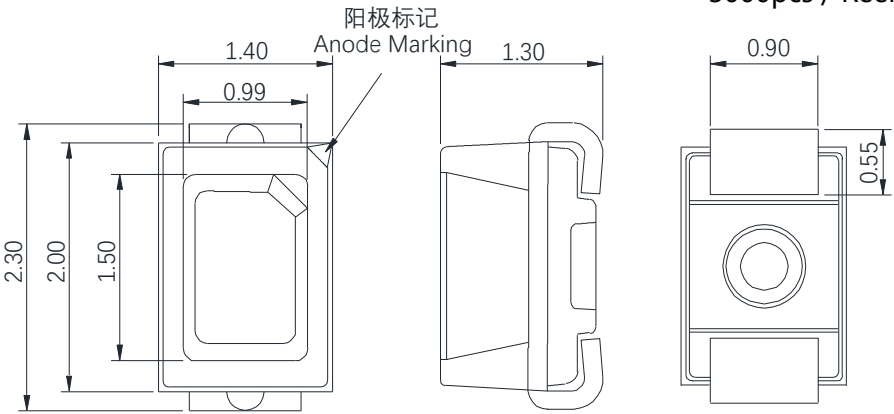
MT2314: MiniTop 2314 Series



汽车氛围灯、指示灯、背光灯、信号灯等
Automobile Ambient Light, Indicator
Light, Backlight, Signal Lamp, etc.

Packing Unit

3000pcs / Reel




技术资料 / Technical Data

HVY-2314KDXA

发光颜色 / Emission Color

Yellow

主波长 / Dominant Wavelength

 583-595nm

光强 / Intensity

0.28-0.90 cd

典型电压 / Voltage (typ.)

2.20 V

典型电流 / Current (typ.)

20 mA

封装 / Package

2.3 x 1.4 x 1.3

发光角度 / View Angle at 50% Iv (typ.)

120°

防潮等级 / Moisture Sensitivity Level

2

订购型号参考 / Order Number Reference

HVY-2314KDXA-T1V1-36-1

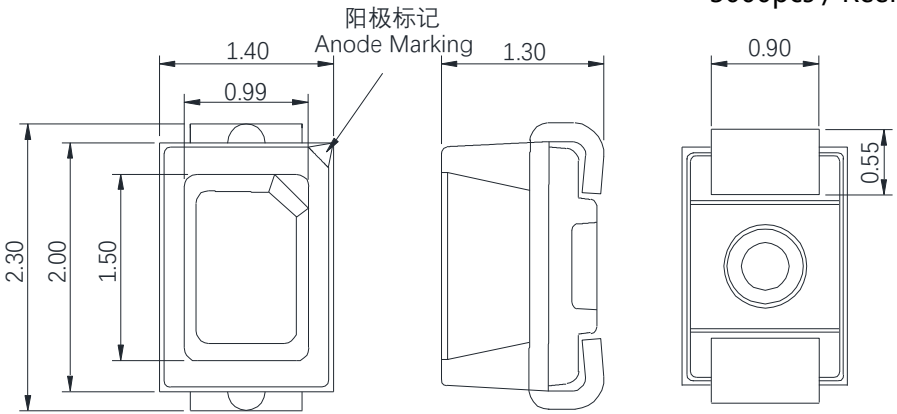
MT2314: MiniTop 2314 Series



汽车氛围灯、指示灯、背光灯、信号灯等
Automobile Ambient Light, Indicator
Light, Backlight, Signal Lamp, etc.

Packing Unit

3000pcs / Reel




技术资料 / Technical Data

HVY-2314KPXA

发光颜色 / Emission Color

Yellow

主波长 / Dominant Wavelength

 583-595nm

光强 / Intensity

0.28.-0.90 cd

典型电压 / Voltage (typ.)

2.20 V

典型电流 / Current (typ.)

20 mA

封装 / Package

2.3 x 1.4 x 1.3

发光角度 / View Angle at 50% Iv (typ.)

120°

防潮等级 / Moisture Sensitivity Level

2

订购型号参考 / Order Number Reference

HVY-2314KPXA-T1V1-36-1

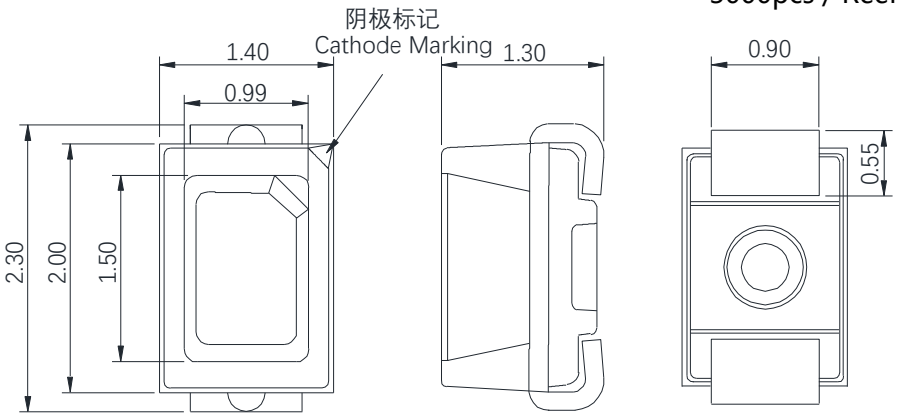
MT2314: MiniTop 2314 Series

汽车氛围灯、指示灯、背光灯、信号灯等
Automobile Ambient Light, Indicator
Light, Backlight, Signal Lamp, etc.



Packing Unit

3000pcs / Reel



技术资料 / Technical Data

HVB-2314KDX

发光颜色 / Emission Color

Blue

主波长 / Dominant Wavelength

● 464-476nm

光强 / Intensity

0.18.-0.45 cd

典型电压 / Voltage (typ.)

3.20 V

典型电流 / Current (typ.)

20 mA

封装 / Package

2.3 x 1.4 x 1.3

发光角度 / View Angle at 50% I_v (typ.)

120°

防潮等级 / Moisture Sensitivity Level

2

订购型号参考 / Order Number Reference

HVB-2314KDX-S1T2-35-1

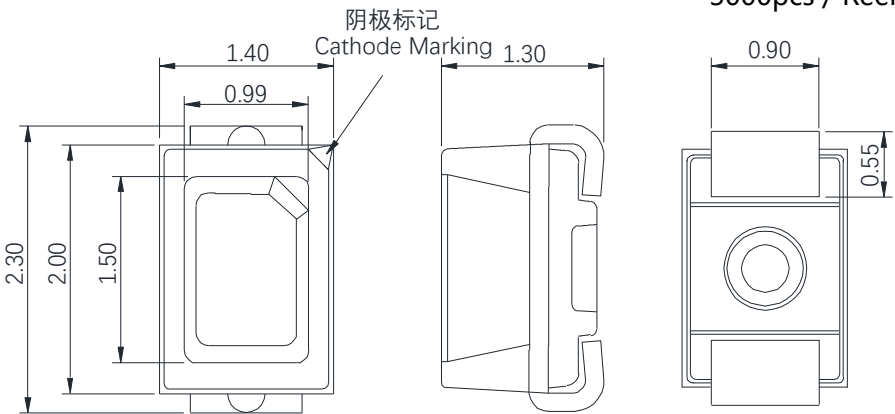
MT2314: MiniTop 2314 Series



汽车氛围灯、指示灯、背光灯、信号灯等
Automobile Ambient Light, Indicator
Light, Backlight, Signal Lamp, etc.

Packing Unit

3000pcs / Reel



技术资料 / Technical Data

HVB-2314KPX

发光颜色 / Emission Color

Blue

主波长 / Dominant Wavelength

● 464-476nm

光强 / Intensity

0.18-0.45 cd

典型电压 / Voltage (typ.)

3.20 V

典型电流 / Current (typ.)

20 mA

封装 / Package

2.3 x 1.4 x 1.3

发光角度 / View Angle at 50% I_v (typ.)

120°

防潮等级 / Moisture Sensitivity Level

2

订购型号参考 / Order Number Reference

HVB-2314KPX-S1T2-35-1

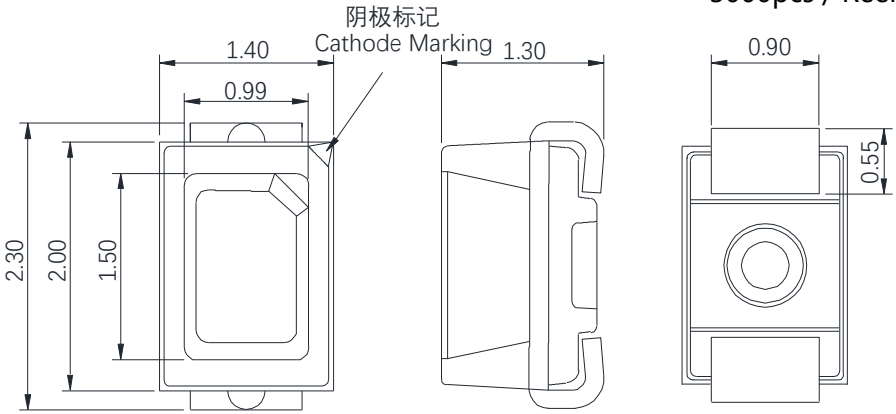
MT2314: MiniTop 2314 Series



汽车氛围灯、指示灯、背光灯、信号灯等
Automobile Ambient Light, Indicator
Light, Backlight, Signal Lamp, etc.

Packing Unit

3000pcs / Reel



技术资料 / Technical Data

HVCB-2314KDX

发光颜色 / Emission Color

Color on demand Blue

典型色坐标 / Color acc. to CIE 1931 (typ.)

● 0.20, 0.30

光强 / Intensity

0.71-1.80 cd

典型电压 / Voltage (typ.)

3.05 V

典型电流 / Current (typ.)

20 mA

封装 / Package

2.3 x 1.4 x 1.3

发光角度 / View Angle at 50% I_v (typ.)

120°

防潮等级 / Moisture Sensitivity Level

2

订购型号参考 / Order Number Reference

HVCB-2314KDX-V1AZ-2J8L-1

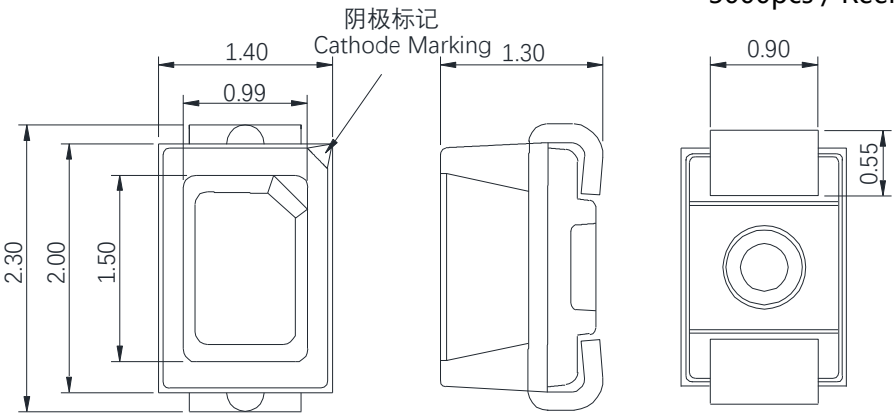
MT2314: MiniTop 2314 Series



汽车氛围灯、指示灯、背光灯、信号灯等
Automobile Ambient Light, Indicator
Light, Backlight, Signal Lamp, etc.

Packing Unit

3000pcs / Reel



技术资料 / Technical Data

HVCB-2314KPX

发光颜色 / Emission Color

Color on demand Blue

典型色坐标 / Color acc. to CIE 1931 (typ.)

● 0.20, 0.30

光强 / Intensity

0.71-1.80 cd

典型电压 / Voltage (typ.)

3.05 V

典型电流 / Current (typ.)

20 mA

封装 / Package

2.3 x 1.4 x 1.3

发光角度 / View Angle at 50% Iv (typ.)

120°

防潮等级 / Moisture Sensitivity Level

2

订购型号参考 / Order Number Reference

HVCB-2314KPX-V1AZ-2J8L-1

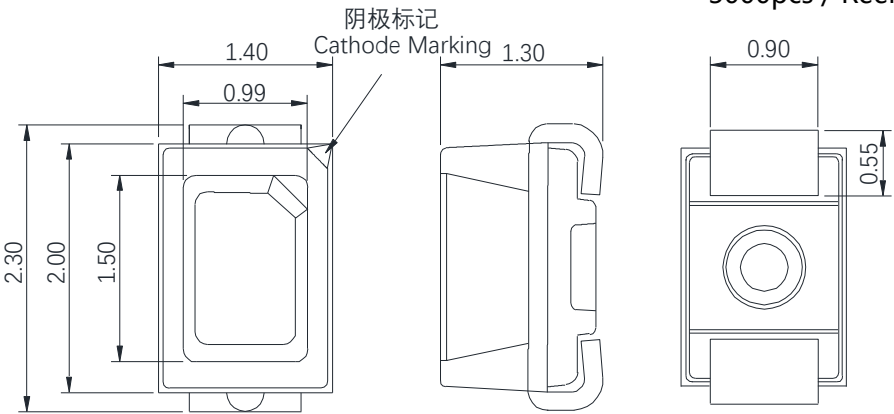
MT2314: MiniTop 2314 Series



汽车氛围灯、指示灯、背光灯、信号灯等
Automobile Ambient Light, Indicator
Light, Backlight, Signal Lamp, etc.

Packing Unit

3000pcs / Reel



技术资料 / Technical Data

HVCW-2314KDX

发光颜色 / Emission Color

Color on demand White

典型色坐标 / Color acc. to CIE 1931 (typ.)

○ 0.33,0.33

光强 / Intensity

0.71-2.10 cd

典型电压 / Voltage (typ.)

3.05 V

典型电流 / Current (typ.)

20 mA

封装 / Package

2.3 x 1.4 x 1.3

发光角度 / View Angle at 50% Iv (typ.)

120°

防潮等级 / Moisture Sensitivity Level

2

订购型号参考 / Order Number Reference

HVCW-2314KDX-V1BX-FK0PN0-1

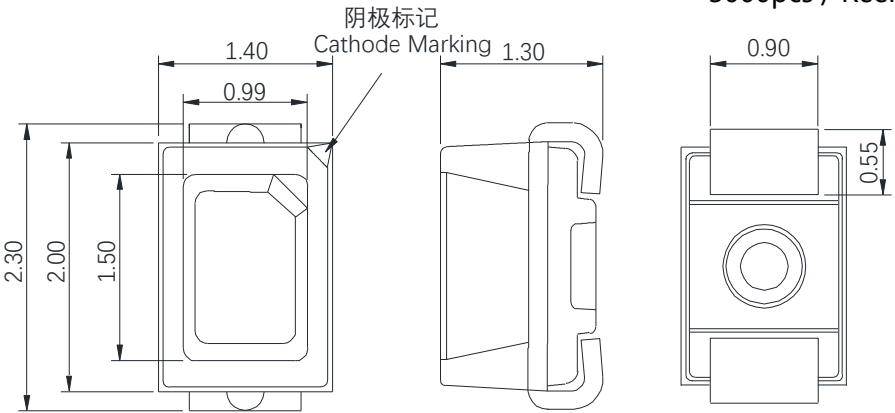
MT2314: MiniTop 2314 Series



汽车氛围灯、指示灯、背光灯、信号灯等
Automobile Ambient Light, Indicator
Light, Backlight, Signal Lamp, etc.

Packing Unit

3000pcs / Reel



技术资料 / Technical Data

HVCW-2314KPX

发光颜色 / Emission Color

Color on demand White

典型色坐标 / Color acc. to CIE 1931 (typ.)

○ 0.33,0.33

光强 / Intensity

0.71-2.10 cd

典型电压 / Voltage (typ.)

3.05 V

典型电流 / Current (typ.)

20 mA

封装 / Package

2.3 x 1.4 x 1.3

发光角度 / View Angle at 50% Iv (typ.)

120°

防潮等级 / Moisture Sensitivity Level

2

订购型号参考 / Order Number Reference

HVCW-2314KPX-V1BX-FK0PN0-1

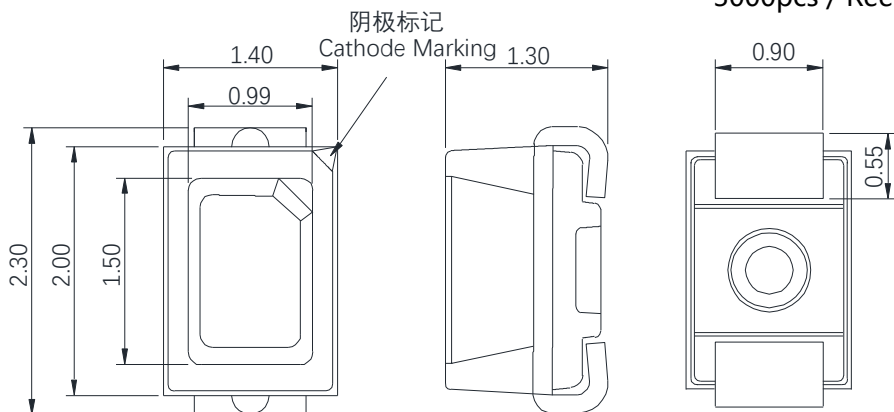
MT2314: MiniTop 2314 Series



汽车氛围灯、指示灯、背光灯、信号灯等
Automobile Ambient Light, Indicator
Light, Backlight, Signal Lamp, etc.

Packing Unit

3000pcs / Reel




技术资料 / Technical Data

HVCY-2314KDX

发光颜色 / Emission Color

Color on demand Yellow

典型色坐标 / Color acc. to CIE 1931 (typ.)

 0.57,0.42

光强 / Intensity

0.71-2.10 cd

典型电压 / Voltage (typ.)

3.05 V

典型电流 / Current (typ.)

20 mA

封装 / Package

2.3 x 1.4 x 1.3

发光角度 / View Angle at 50% Iv (typ.)

120°

防潮等级 / Moisture Sensitivity Level

2

订购型号参考 / Order Number Reference

HVCY-2314KDX-V1BX-W3X5-1

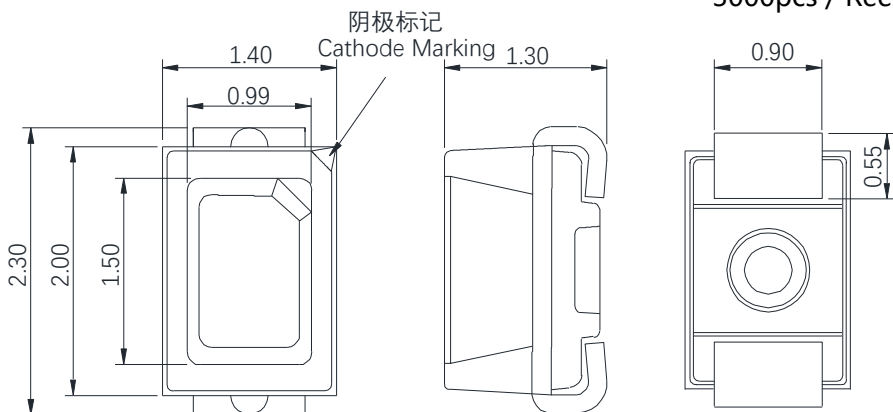
MT2314: MiniTop 2314 Series



汽车氛围灯、指示灯、背光灯、信号灯等
Automobile Ambient Light, Indicator
Light, Backlight, Signal Lamp, etc.

Packing Unit

3000pcs / Reel




技术资料 / Technical Data

HVCY-2314KPX

发光颜色 / Emission Color

Color on demand Yellow

典型色坐标 / Color acc. to CIE 1931 (typ.)

 0.57,0.41

光强 / Intensity

0.71-2.10 cd

典型电压 / Voltage (typ.)

3.05 V

典型电流 / Current (typ.)

20 mA

封装 / Package

2.3 x 1.4 x 1.3

发光角度 / View Angle at 50% I_v (typ.)

120°

防潮等级 / Moisture Sensitivity Level

2

订购型号参考 / Order Number Reference

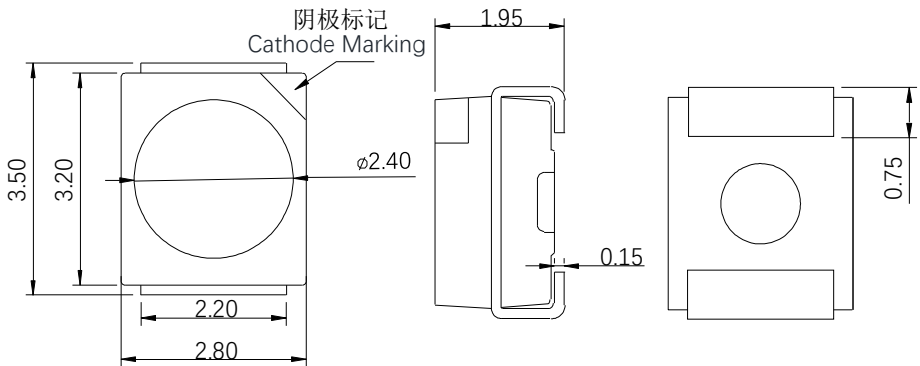
HVCY-2314KPX-V1BX-W3X5-1

T3528: Top 3528 Series



汽车氛围灯、指示灯、背光灯、信号灯等
Automobile Ambient Light, Indicator Light,
Backlight, Signal Lamp, etc.

Packing Unit
2000pcs / Reel



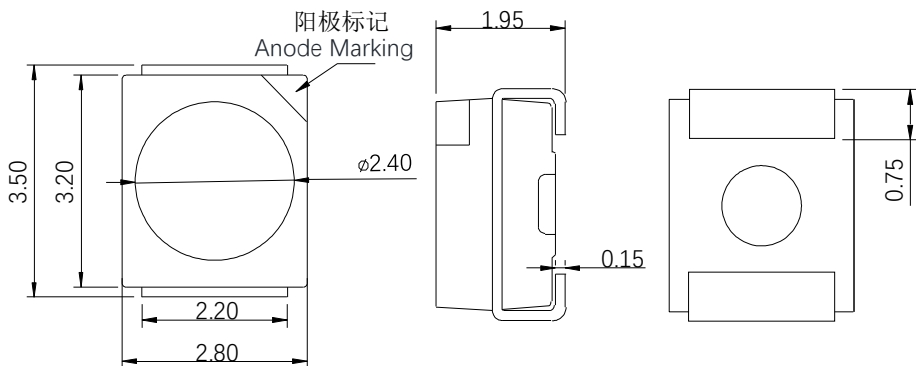
| 技术资料 / Technical Data | HVS-3528CDX |
|--|---|
| 发光颜色 / Emission Color | Super red |
| 主波长 / Dominant Wavelength | ● 627-639 nm |
| 光强 / Intensity | 0.355-1.12 cd |
| 典型电压 / Voltage (typ.) | 2.05 V |
| 典型电流 / Current (typ.) | 20 mA |
| 封装 / Package | 3.5 x 2.8 x 1.95 |
| 发光角度 / View Angle at 50% I _v (typ.) | 120° |
| 防潮等级 / Moisture Sensitivity Level | 2 |
| 订购型号参考 / Order Number Reference | |
| HVS-3528CDX-T2V2-1-1 | |

T3528: Top 3528 Series



汽车氛围灯、指示灯、背光灯、信号灯等
Automobile Ambient Light, Indicator Light,
Backlight, Signal Lamp, etc.

Packing Unit
2000pcs / Reel



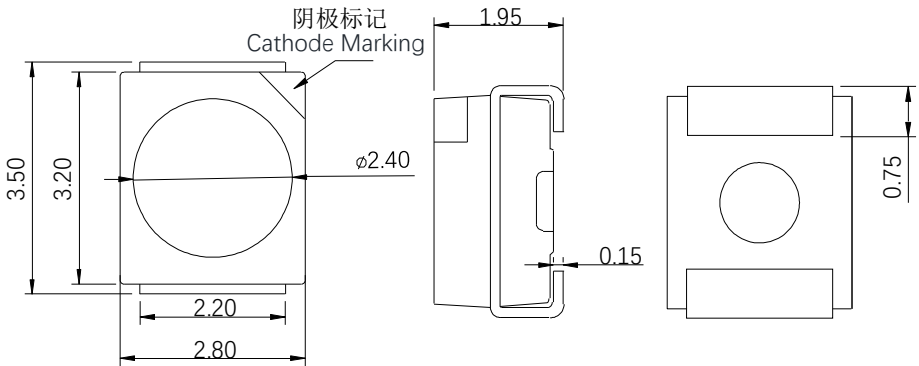
| 技术资料 / Technical Data | HVS-3528CPXA |
|--|---|
| 发光颜色 / Emission Color | Super red |
| 主波长 / Dominant Wavelength | ● 627-639 nm |
| 光强 / Intensity | 0.355-0.90 cd |
| 典型电压 / Voltage (typ.) | 2.20 V |
| 典型电流 / Current (typ.) | 20 mA |
| 封装 / Package | 3.5 x 2.8 x 1.95 |
| 发光角度 / View Angle at 50% I _v (typ.) | 120° |
| 防潮等级 / Moisture Sensitivity Level | 2 |
| 订购型号参考 / Order Number Reference | |
| HVS-3528CPXA-T2V1-1 | |

T3528: Top 3528 Series



汽车氛围灯、指示灯、背光灯、信号灯等
Automobile Ambient Light, Indicator Light,
Backlight, Signal Lamp, etc.

Packing Unit
2000pcs / Reel



技术资料 / Technical Data

HVR-3528CEX

发光颜色 / Emission Color

Red

主波长 / Dominant Wavelength

● 620-630 nm

光强 / Intensity

1.80-5.60 cd

典型电压 / Voltage (typ.)

2.20 V

典型电流 / Current (typ.)

50mA

封装 / Package

3.5 x 2.8 x 1.95

发光角度 / View Angle at 50% I_v (typ.)

120°

防潮等级 / Moisture Sensitivity Level

2

订购型号参考 / Order Number Reference

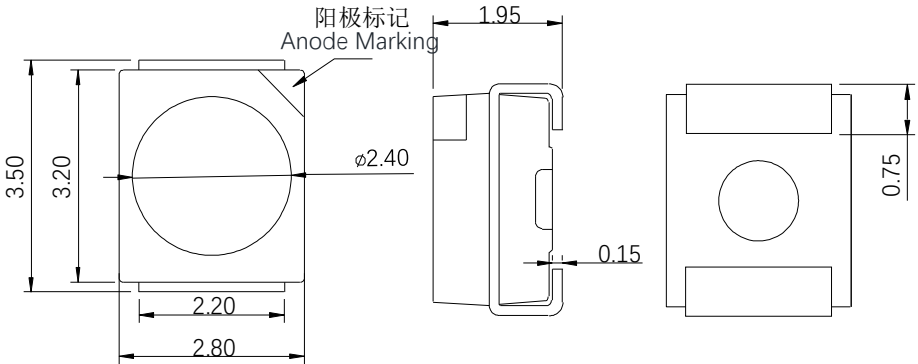
HVR-3528CEX-BADA-1-1

T3528: Top 3528 Series



汽车氛围灯、指示灯、背光灯、信号灯等
Automobile Ambient Light, Indicator Light,
Backlight, Signal Lamp, etc.

Packing Unit
2000pcs / Reel



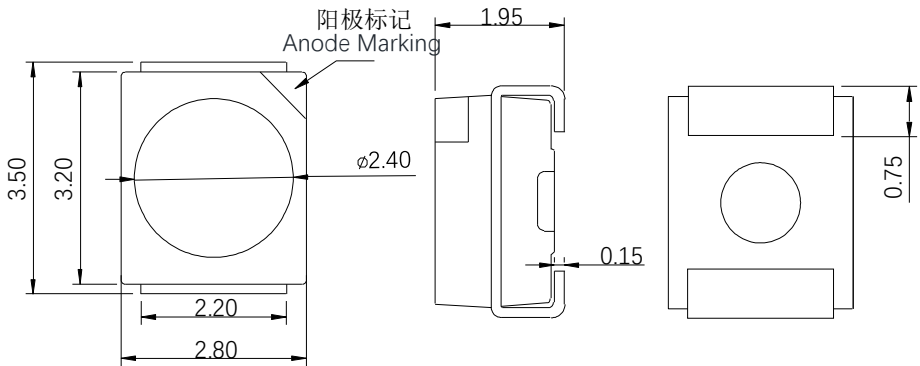
| 技术资料 / Technical Data | HVR-3528CDXA |
|--|---|
| 发光颜色 / Emission Color | Red |
| 主波长 / Dominant Wavelength | ● 620-630 nm |
| 光强 / Intensity | 0.71-1.80 cd |
| 典型电压 / Voltage (typ.) | 2.20 V |
| 典型电流 / Current (typ.) | 20 mA |
| 封装 / Package | 3.5 x 2.8 x 1.95 |
| 发光角度 / View Angle at 50% I _v (typ.) | 120° |
| 防潮等级 / Moisture Sensitivity Level | 2 |
| 订购型号参考 / Order Number Reference | HVR-3528CDXA-V1AB-1-1 |

T3528: Top 3528 Series



汽车氛围灯、指示灯、背光灯、信号灯等
Automobile Ambient Light, Indicator Light,
Backlight, Signal Lamp, etc.

Packing Unit
2000pcs / Reel



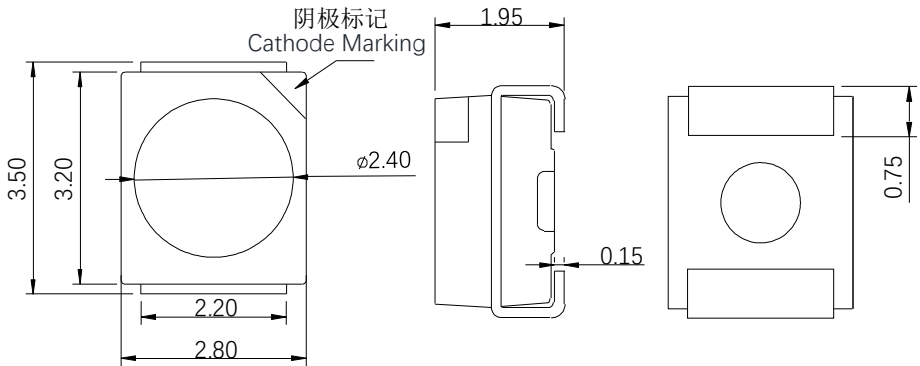
| 技术资料 / Technical Data | HVR-3528CPXA |
|--|---|
| 发光颜色 / Emission Color | Red |
| 主波长 / Dominant Wavelength | ● 620-630 nm |
| 光强 / Intensity | 0.71-1.80 cd |
| 典型电压 / Voltage (typ.) | 2.20 V |
| 典型电流 / Current (typ.) | 20 mA |
| 封装 / Package | 3.5 x 2.8 x 1.95 |
| 发光角度 / View Angle at 50% I _v (typ.) | 120° |
| 防潮等级 / Moisture Sensitivity Level | 2 |
| 订购型号参考 / Order Number Reference | HVR-3528CPXA-V1AB-1-1 |

T3528: Top 3528 Series



汽车氛围灯、指示灯、背光灯、信号灯等
Automobile Ambient Light, Indicator Light,
Backlight, Signal Lamp, etc.

Packing Unit
2000pcs / Reel



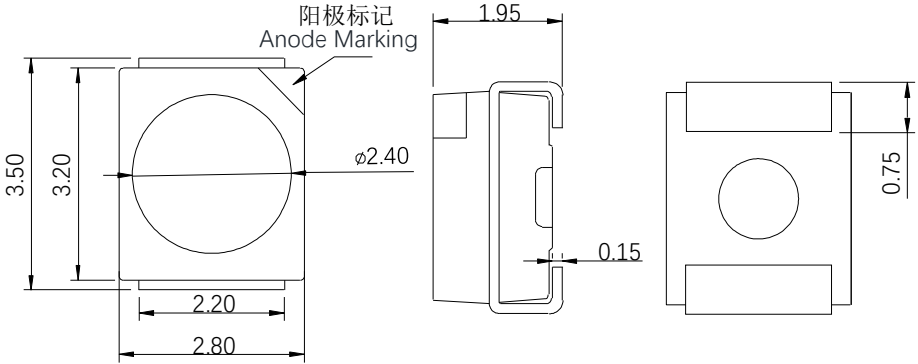
| 技术资料 / Technical Data | HVA-3528CEX |
|--|------------------|
| 发光颜色 / Emission Color | Amber |
| 主波长 / Dominant Wavelength | ● 612-624 nm |
| 光强 / Intensity | 1.80-5.60 cd |
| 典型电压 / Voltage (typ.) | 2.20 V |
| 典型电流 / Current (typ.) | 50 mA |
| 封装 / Package | 3.5 x 2.8 x 1.95 |
| 发光角度 / View Angle at 50% I _v (typ.) | 120° |
| 防潮等级 / Moisture Sensitivity Level | 2 |
| 订购型号参考 / Order Number Reference | |
| HVA-3528CEX-BADA-24-1 | |

T3528: Top 3528 Series



汽车氛围灯、指示灯、背光灯、信号灯等
Automobile Ambient Light, Indicator Light,
Backlight, Signal Lamp, etc.

Packing Unit
2000pcs / Reel



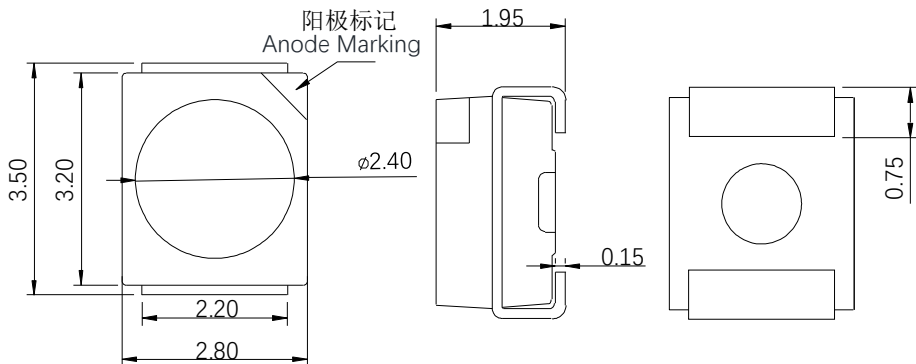
| 技术资料 / Technical Data | HVA-3528CDXA |
|--|------------------|
| 发光颜色 / Emission Color | Amber |
| 主波长 / Dominant Wavelength | ● 612-624 nm |
| 光强 / Intensity | 0.56-1.80 cd |
| 典型电压 / Voltage (typ.) | 2.20 V |
| 典型电流 / Current (typ.) | 20 mA |
| 封装 / Package | 3.5 x 2.8 x 1.95 |
| 发光角度 / View Angle at 50% I _v (typ.) | 120° |
| 防潮等级 / Moisture Sensitivity Level | 2 |
| 订购型号参考 / Order Number Reference | |
| HVA-3528CDXA--U2AB-24-1 | |

T3528: Top 3528 Series



汽车氛围灯、指示灯、背光灯、信号灯等
Automobile Ambient Light, Indicator Light,
Backlight, Signal Lamp, etc.

Packing Unit
2000pcs / Reel



技术资料 / Technical Data

HVA-3528CPXA

发光颜色 / Emission Color

Amber

主波长 / Dominant Wavelength

● 612-624 nm

光强 / Intensity

0.56-1.80 cd

典型电压 / Voltage (typ.)

2.20 V

典型电流 / Current (typ.)

20 mA

封装 / Package

3.5 x 2.8 x 1.95

发光角度 / View Angle at 50% I_v (typ.)

120°

防潮等级 / Moisture Sensitivity Level

2

订购型号参考 / Order Number Reference

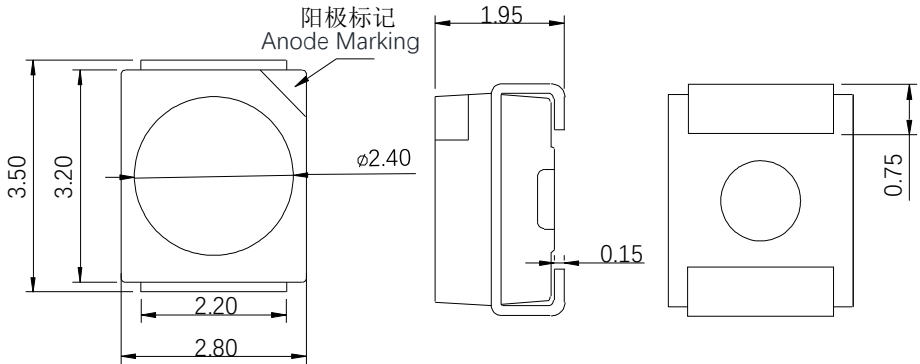
HVA-3528CPXA--U2AB-24-1

T3528: Top 3528 Series



汽车氛围灯、指示灯、背光灯、信号灯等
Automobile Ambient Light, Indicator Light,
Backlight, Signal Lamp, etc.

Packing Unit
2000pcs / Reel



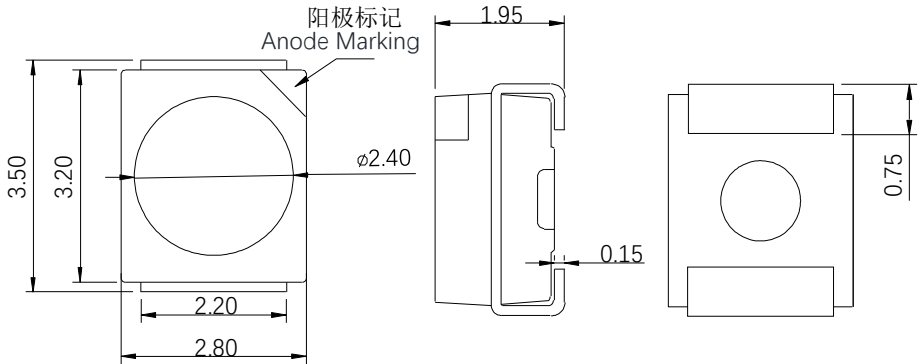
| 技术资料 / Technical Data | HVO-3528CDXA |
|--|--|
| 发光颜色 / Emission Color | Orange |
| 主波长 / Dominant Wavelength | ● 600-609 nm |
| 光强 / Intensity | 0.71-1.80 cd |
| 典型电压 / Voltage (typ.) | 2.20 V |
| 典型电流 / Current (typ.) | 20 mA |
| 封装 / Package | 3.5 x 2.8 x 1.95 |
| 发光角度 / View Angle at 50% I _v (typ.) | 120° |
| 防潮等级 / Moisture Sensitivity Level | 2 |
| 订购型号参考 / Order Number Reference | |
| HVO-3528CDXA-V1AB-24-1 | |

T3528: Top 3528 Series



汽车氛围灯、指示灯、背光灯、信号灯等
Automobile Ambient Light, Indicator Light,
Backlight, Signal Lamp, etc.

Packing Unit
2000pcs / Reel



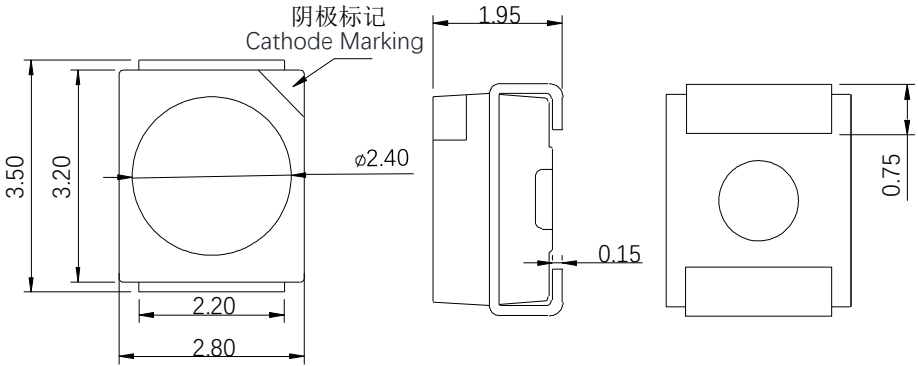
| 技术资料 / Technical Data | HVO-3528CPXA |
|--|------------------|
| 发光颜色 / Emission Color | Orange |
| 主波长 / Dominant Wavelength | ● 600-609 nm |
| 光强 / Intensity | 0.22-1.80 cd |
| 典型电压 / Voltage (typ.) | 2.20 V |
| 典型电流 / Current (typ.) | 20 mA |
| 封装 / Package | 3.5 x 2.8 x 1.95 |
| 发光角度 / View Angle at 50% I _v (typ.) | 120° |
| 防潮等级 / Moisture Sensitivity Level | 2 |
| 订购型号参考 / Order Number Reference | |
| HVO-3528CPXA-S2AB-24-1 | |

T3528: Top 3528 Series



汽车氛围灯、指示灯、背光灯、信号灯等
Automobile Ambient Light, Indicator Light,
Backlight, Signal Lamp, etc.

Packing Unit
2000pcs / Reel



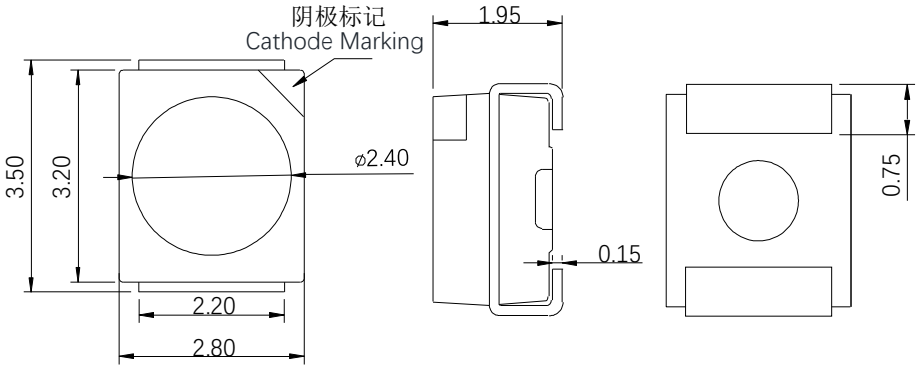
| 技术资料 / Technical Data | HVY-3528CDX |
|--|--|
| 发光颜色 / Emission Color | Yellow |
| 主波长 / Dominant Wavelength | ● 583-595 nm |
| 光强 / Intensity | 0.45-1.40 cd |
| 典型电压 / Voltage (typ.) | 2.20 V |
| 典型电流 / Current (typ.) | 20 mA |
| 封装 / Package | 3.5 x 2.8 x 1.95 |
| 发光角度 / View Angle at 50% I _v (typ.) | 120° |
| 防潮等级 / Moisture Sensitivity Level | 2 |
| 订购型号参考 / Order Number Reference | |
| HVY-3528CDX-U1AA-36-1 | |

T3528: Top 3528 Series



汽车氛围灯、指示灯、背光灯、信号灯等
Automobile Ambient Light, Indicator Light,
Backlight, Signal Lamp, etc.

Packing Unit
2000pcs / Reel



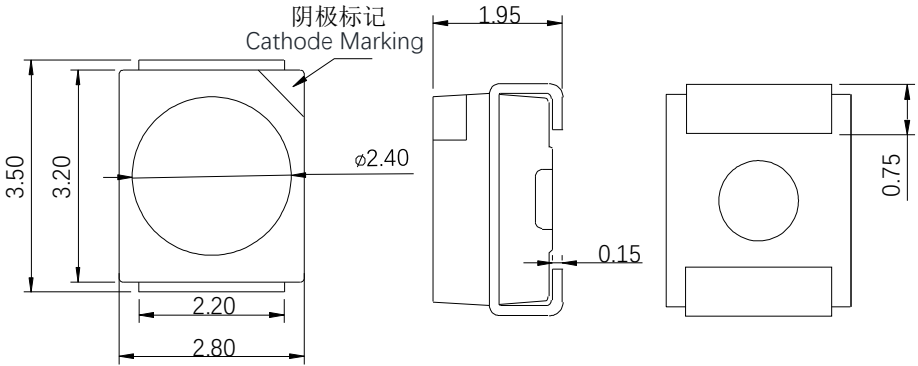
| 技术资料 / Technical Data | HVY-3528CPX |
|--|--|
| 发光颜色 / Emission Color | Yellow |
| 主波长 / Dominant Wavelength | ● 583-595 nm |
| 光强 / Intensity | 0.224-1.80 cd |
| 典型电压 / Voltage (typ.) | 2.20 V |
| 典型电流 / Current (typ.) | 20 mA |
| 封装 / Package | 3.5 x 2.8 x 1.95 |
| 发光角度 / View Angle at 50% I _v (typ.) | 120° |
| 防潮等级 / Moisture Sensitivity Level | 2 |
| 订购型号参考 / Order Number Reference | |
| HVY-3528CPX-S2AB-36-1 | |


T3528: Top 3528 Series



汽车氛围灯、指示灯、背光灯、信号灯等
Automobile Ambient Light, Indicator Light,
Backlight, Signal Lamp, etc.

Packing Unit
2000pcs / Reel



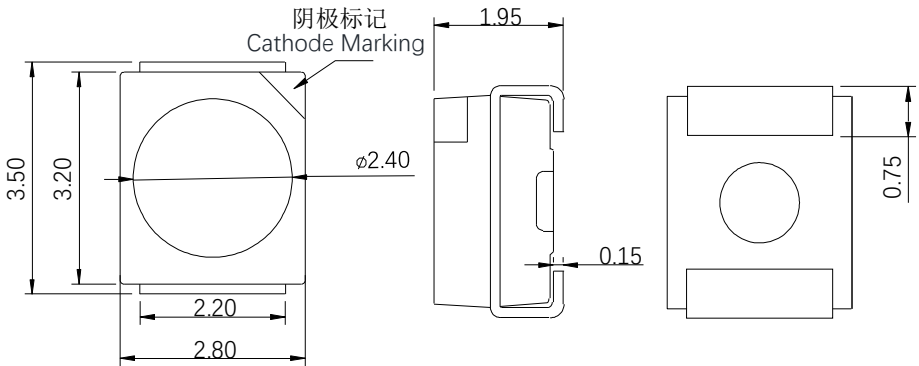
| 技术资料 / Technical Data | HVT-3528CDX |
|--|--|
| 发光颜色 / Emission Color | True green |
| 主波长 / Dominant Wavelength |  519-543 nm |
| 光强 / Intensity | 0.90-2.24 cd |
| 典型电压 / Voltage (typ.) | 3.10 V |
| 典型电流 / Current (typ.) | 20 mA |
| 封装 / Package | 3.5 x 2.8 x 1.95 |
| 发光角度 / View Angle at 50% I _v (typ.) | 120° |
| 防潮等级 / Moisture Sensitivity Level | 2 |
| 订购型号参考 / Order Number Reference | |
| HVT-3528CDX-V2BA-36-1 | |


T3528: Top 3528 Series



汽车氛围灯、指示灯、背光灯、信号灯等
Automobile Ambient Light, Indicator Light,
Backlight, Signal Lamp, etc.

Packing Unit
2000pcs / Reel



| 技术资料 / Technical Data | HVT-3528CPX |
|--|--|
| 发光颜色 / Emission Color | True green |
| 主波长 / Dominant Wavelength |  519-543 nm |
| 光强 / Intensity | 0.90-2.80 cd |
| 典型电压 / Voltage (typ.) | 3.10 V |
| 典型电流 / Current (typ.) | 20 mA |
| 封装 / Package | 3.5 x 2.8 x 1.95 |
| 发光角度 / View Angle at 50% I _v (typ.) | 120° |
| 防潮等级 / Moisture Sensitivity Level | 2 |
| 订购型号参考 / Order Number Reference | HVT-3528CPX-V2BB-36-1 |

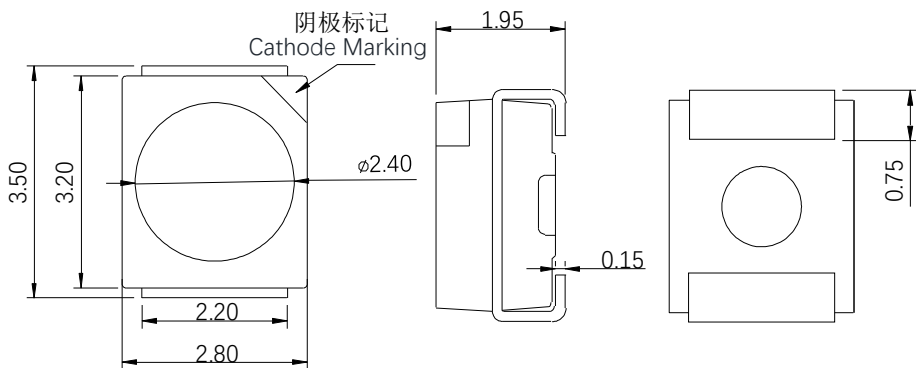
T3528: Top 3528 Series



汽车氛围灯、指示灯、背光灯、信号灯等
Automobile Ambient Light, Indicator Light,
Backlight, Signal Lamp, etc.

Packing Unit

2000pcs / Reel



技术资料 / Technical Data

HVB-3528CDX

发光颜色 / Emission Color

Blue

主波长 / Dominant Wavelength

● 460-476 nm

光强 / Intensity

0.18-0.90 cd

典型电压 / Voltage (typ.)

3.20 V

典型电流 / Current (typ.)

20 mA

封装 / Package

3.5 x 2.8 x 1.95

发光角度 / View Angle at 50% I_v (typ.)

120°

防潮等级 / Moisture Sensitivity Level

2

订购型号参考 / Order Number Reference

HVB-3528CDX-S1V1-25-1

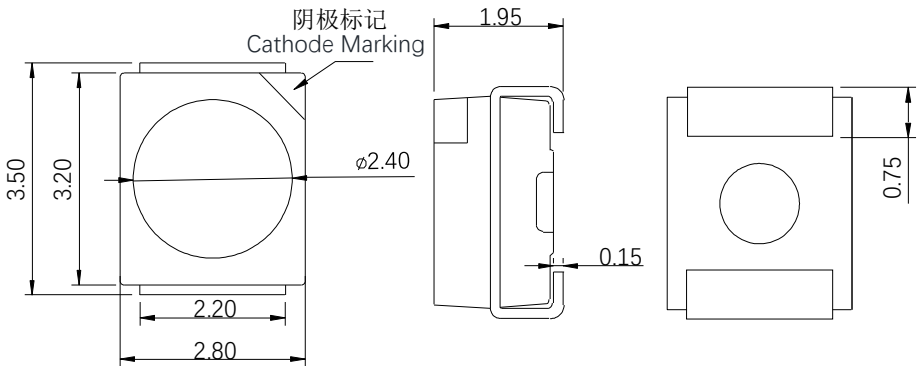
T3528: Top 3528 Series



汽车氛围灯、指示灯、背光灯、信号灯等
Automobile Ambient Light, Indicator Light,
Backlight, Signal Lamp, etc.

Packing Unit

2000pcs / Reel



技术资料 / Technical Data

HVB-3528CPX

发光颜色 / Emission Color

Blue

主波长 / Dominant Wavelength

● 464-476 nm

光强 / Intensity

0.112-0.71 cd

典型电压 / Voltage (typ.)

3.20 V

典型电流 / Current (typ.)

20 mA

封装 / Package

3.5 x 2.8 x 1.95

发光角度 / View Angle at 50% I_v (typ.)

120°

防潮等级 / Moisture Sensitivity Level

2

订购型号参考 / Order Number Reference

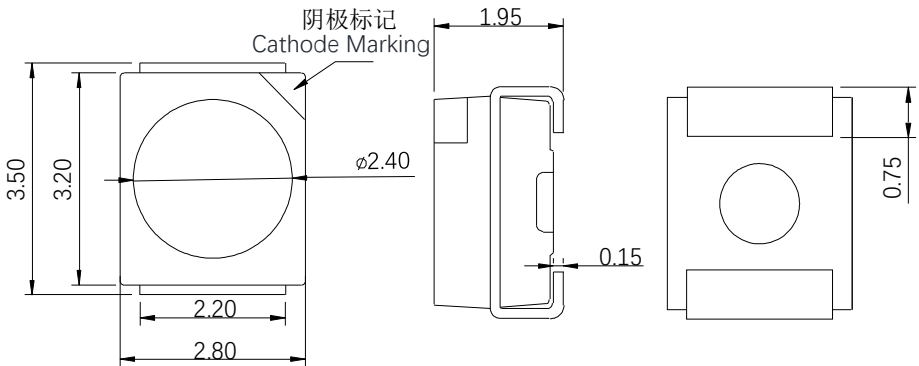
HVB-3528CPX-R1U2-35-1

T3528: Top 3528 Series

汽车氛围灯、指示灯、背光灯、信号灯等
Automobile Ambient Light, Indicator Light,
Backlight, Signal Lamp, etc.



Packing Unit
2000pcs / Reel




技术资料 / Technical Data

HVCY-3528CEX

发光颜色 / Emission Color

Color on demand Yellow

典型色坐标 / Color acc. to CIE 1931

 0.57,0.42

光强 / Intensity

3.30-6.10 cd

典型电压 / Voltage (typ.)

3.10 V

典型电流 / Current (typ.)

50 mA

封装 / Package

3.5 x 2.8 x 1.95

发光角度 / View Angle at 50% I_v (typ.)

120°

防潮等级 / Moisture Sensitivity Level

2

订购型号参考 / Order Number Reference

HVCY-3528CEX-CYDY-5E-1

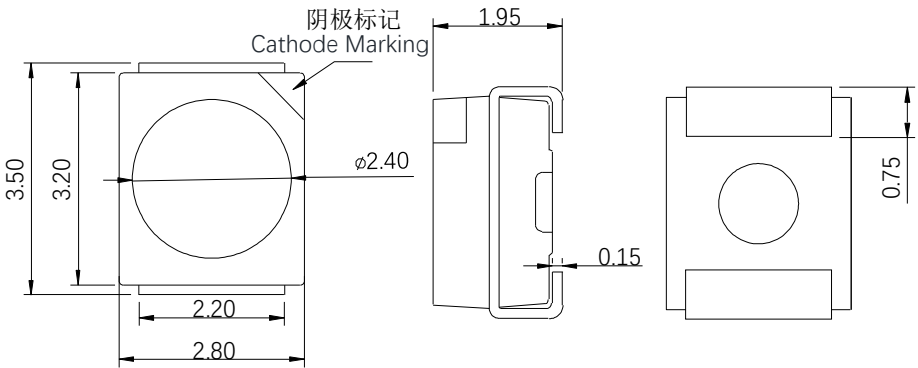
T3528: Top 3528 Series

汽车氛围灯、指示灯、背光灯、信号灯等
Automobile Ambient Light, Indicator Light,
Backlight, Signal Lamp, etc.



Packing Unit

2000pcs / Reel




技术资料 / Technical Data

HVCO-3528CPX

发光颜色 / Emission Color

Color on demand Orange

典型色坐标 / Color acc. to CIE 1931

 0.61, 0.384

光强 / Intensity

0.56-1.12 cd

典型电压 / Voltage (typ.)

2.90 V

典型电流 / Current (typ.)

10 mA

封装 / Package

3.5 x 2.8 x 1.95

发光角度 / View Angle at 50% I_v (typ.)

120°

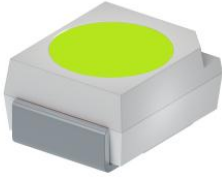
防潮等级 / Moisture Sensitivity Level

2

订购型号参考 / Order Number Reference

HVCO-3528CPX-U2V2-P1P2-1

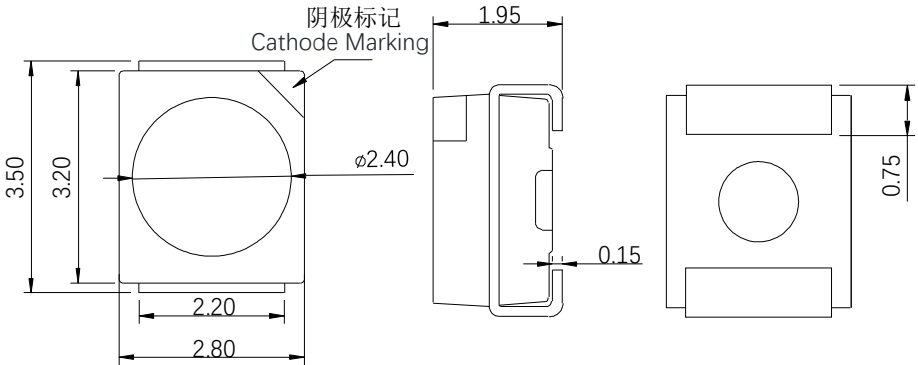
T3528: Top 3528 Series



汽车氛围灯、指示灯、背光灯、信号灯等
Automobile Ambient Light, Indicator Light,
Backlight, Signal Lamp, etc.

Packing Unit

2000pcs / Reel



技术资料 / Technical Data

HVCB-3528CDX

发光颜色 / Emission Color

Color on demand Blue

典型色坐标 / Color acc. to CIE 1931 (typ.)

● 0.20, 0.30

光强 / Intensity

1.12-2.40 cd

典型电压 / Voltage (typ.)

2.90V

典型电流 / Current (typ.)

20 mA

封装 / Package

3.5 x 2.8 x 1.95

发光角度 / View Angle at 50% I_v (typ.)

120°

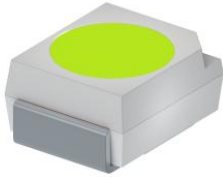
防潮等级 / Moisture Sensitivity Level

2

订购型号参考 / Order Number Reference

HVCB-3528CDX-AXBY-2J8L-1

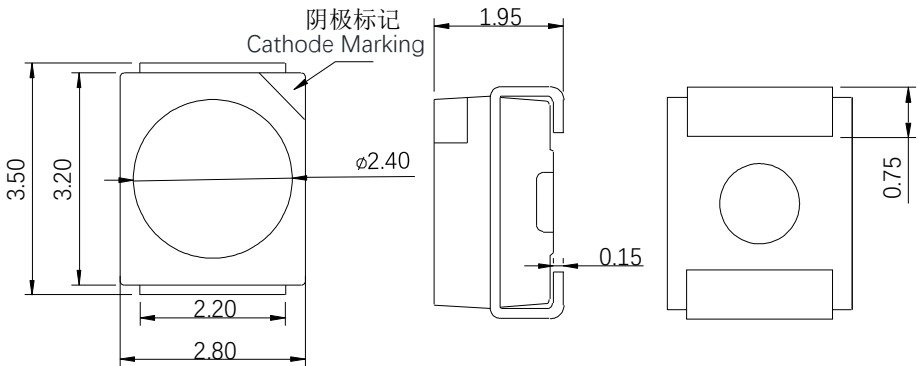
T3528: Top 3528 Series



汽车氛围灯、指示灯、背光灯、信号灯等
Automobile Ambient Light, Indicator Light,
Backlight, Signal Lamp, etc.

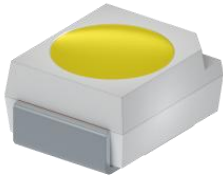
Packing Unit

2000pcs / Reel



| 技术资料 / Technical Data | HVCB-3528CPX |
|--|----------------------|
| 发光颜色 / Emission Color | Color on demand Blue |
| 典型色坐标 / Color acc. to CIE 1931 (typ.) | ● 0.20, 0.30 |
| 光强 / Intensity | 1.12-2.40 cd |
| 典型电压 / Voltage (typ.) | 2.90V |
| 典型电流 / Current (typ.) | 20 mA |
| 封装 / Package | 3.5 x 2.8 x 1.95 |
| 发光角度 / View Angle at 50% I _v (typ.) | 120° |
| 防潮等级 / Moisture Sensitivity Level | 2 |
| 订购型号参考 / Order Number Reference | |
| HVCB-3528CPX-AXBY-2J8L-1 | |

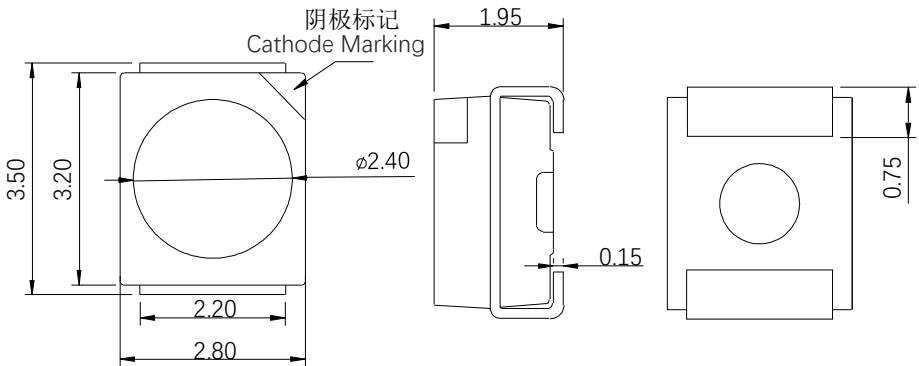
T3528: Top 3528 Series



汽车氛围灯、指示灯、背光灯、信号灯等
Automobile Ambient Light, Indicator Light,
Backlight, Signal Lamp, etc.

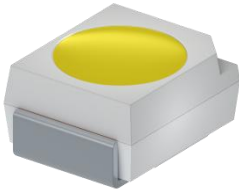
Packing Unit

2000pcs / Reel



| | |
|--|-----------------------|
| 技术资料 / Technical Data | HVCW-3528CQX |
| 发光颜色 / Emission Color | Color on demand White |
| 典型色坐标 / Color acc. to CIE 1931 (typ.) | \odot 0.33, 0.33 |
| 光强 / Intensity | 3.90-9.70 cd |
| 典型电压 / Voltage (typ.) | 3.05 V |
| 典型电流 / Current (typ.) | 50 mA |
| 封装 / Package | 3.5 x 2.8 x 1.95 |
| 发光角度 / View Angle at 50% I _v (typ.) | 120° |
| 防潮等级 / Moisture Sensitivity Level | 2 |
| 订购型号参考 / Order Number Reference | |
| HVCW-3528CQX-CZEY-FK0PN0-1 | |

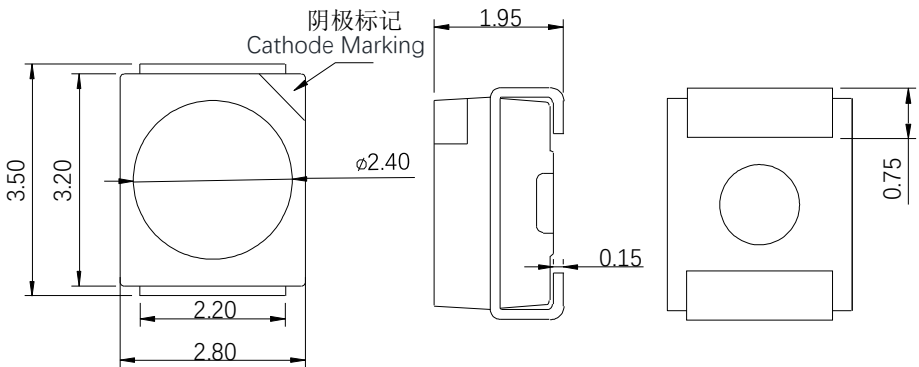
T3528: Top 3528 Series



汽车氛围灯、指示灯、背光灯、信号灯等
Automobile Ambient Light, Indicator Light,
Backlight, Signal Lamp, etc.

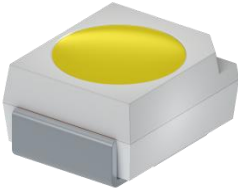
Packing Unit

2000pcs / Reel



| 技术资料 / Technical Data | HVCW-3528CDX |
|--|----------------------------|
| 发光颜色 / Emission Color | Color on demand White |
| 典型色坐标 / Color acc. to CIE 1931 (typ.) | \odot 0.33, 0.33 |
| 光强 / Intensity | 1.30-3.30 cd |
| 典型电压 / Voltage (typ.) | 3.05 V |
| 典型电流 / Current (typ.) | 20 mA |
| 封装 / Package | 3.5 x 2.8 x 1.95 |
| 发光角度 / View Angle at 50% I _v (typ.) | 120° |
| 防潮等级 / Moisture Sensitivity Level | 2 |
| 订购型号参考 / Order Number Reference | HVCW-3528CDX-AYCX-FK0PN0-1 |

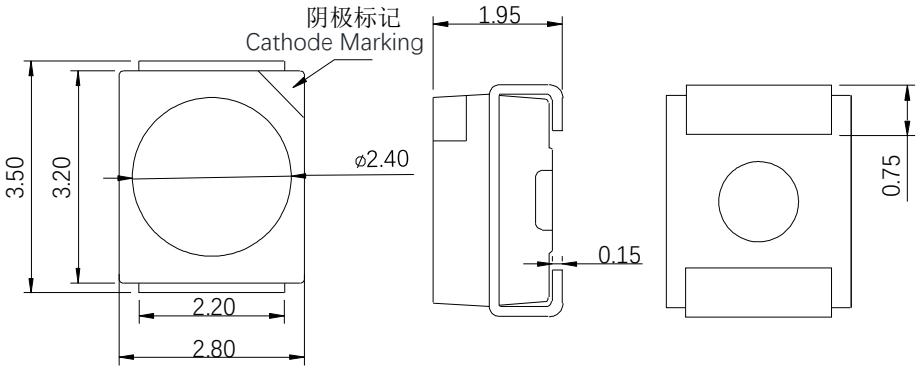
T3528: Top 3528 Series



汽车氛围灯、指示灯、背光灯、信号灯等
Automobile Ambient Light, Indicator Light,
Backlight, Signal Lamp, etc.

Packing Unit

2000pcs / Reel



| 技术资料 / Technical Data | HVCW-3528CPX |
|--|-----------------------|
| 发光颜色 / Emission Color | Color on demand White |
| 典型色坐标 / Color acc. to CIE 1931 (typ.) | \odot 0.33, 0.33 |
| 光强 / Intensity | 0.45-3.30 cd |
| 典型电压 / Voltage (typ.) | 3.05 V |
| 典型电流 / Current (typ.) | 20 mA |
| 封装 / Package | 3.5 x 2.8 x 1.95 |
| 发光角度 / View Angle at 50% I _v (typ.) | 120° |
| 防潮等级 / Moisture Sensitivity Level | 2 |
| 订购型号参考 / Order Number Reference | |
| HVCW-3528CPX-U1CX-FK0PN0-1 | |

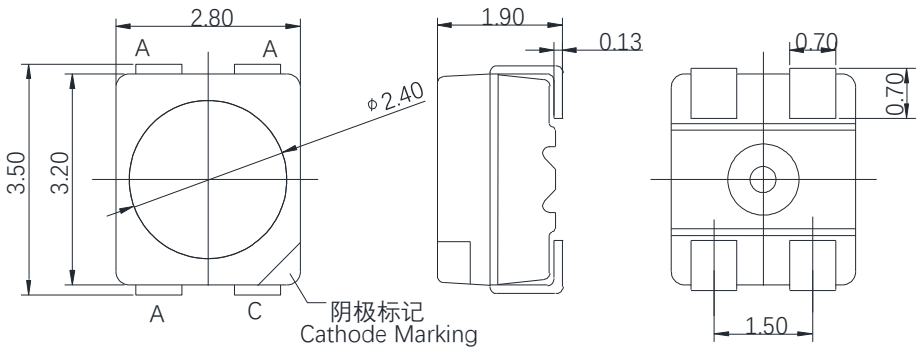
PT3528: Power Top 3528 Series



汽车信号灯
(尾灯、制动灯、指示灯等)
Automobile signal lamp
(Rear Light, Stop Light, Indicator Light, etc.)

Packing Unit

2000pcs / Reel



| 技术资料 / Technical Data | HVS-3528DES |
|--|---|
| 发光颜色 / Emission Color | Super red |
| 主波长 / Dominant Wavelength | ● 627-639 nm |
| 光强 / Intensity | 0.90-2.24 cd |
| 典型电压 / Voltage (typ.) | 2.15 V |
| 典型电流 / Current (typ.) | 50 mA |
| 封装 / Package | 3.5 x 2.8 x 1.90 |
| 发光角度 / View Angle at 50% I _v (typ.) | 120° |
| 防潮等级 / Moisture Sensitivity Level | 2 |
| 订购型号参考 / Order Number Reference | |
| HVS-3528DES-V2BA-36-1 | |

PT3528: Power Top 3528 Series



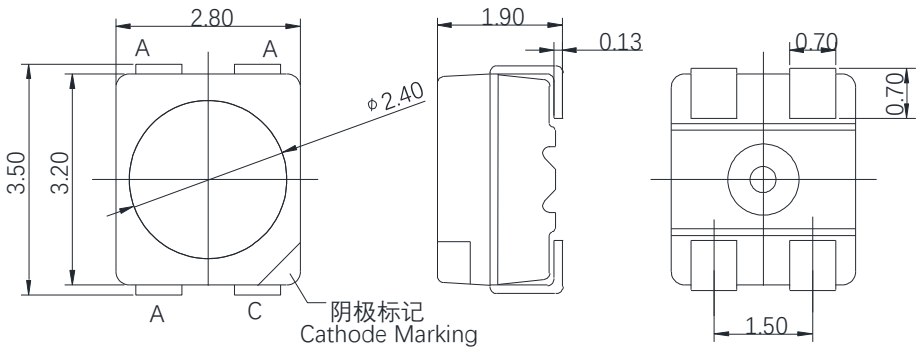
汽车信号灯
(尾灯、制动灯、指示灯等)

Automobile signal lamp

(Rear Light, Stop Light, Indicator Light, etc.)

Packing Unit

2000pcs / Reel



技术资料 / Technical Data

HVS-3528DER

发光颜色 / Emission Color

Super red

主波长 / Dominant Wavelength

● 627-639 nm

光强 / Intensity

1.40-2.80 cd

典型电压 / Voltage (typ.)

2.15 V

典型电流 / Current (typ.)

50 mA

封装 / Package

3.5 x 2.8 x 1.90

发光角度 / View Angle at 50% I_v (typ.)

120°

防潮等级 / Moisture Sensitivity Level

2

订购型号参考 / Order Number Reference

HVS-3528DER-ABBB-36-1

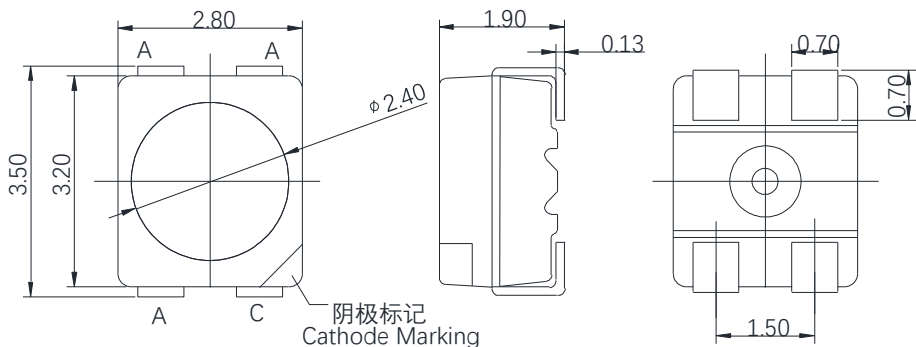
PT3528: Power Top 3528 Series



汽车信号灯
(尾灯、制动灯、指示灯等)

Automobile signal lamp
(Rear Light, Stop Light, Indicator Light, etc.)

Packing Unit
2000pcs / Reel



| 技术资料 / Technical Data | HVS-3528DQX |
|--|---|
| 发光颜色 / Emission Color | Super red |
| 主波长 / Dominant Wavelength | ● 627-639 nm |
| 光强 / Intensity | 1.40-2.80 cd |
| 典型电压 / Voltage (typ.) | 2.15 V |
| 典型电流 / Current (typ.) | 50 mA |
| 封装 / Package | 3.5 x 2.8 x 1.9 |
| 发光角度 / View Angle at 50% I _v (typ.) | 120° |
| 防潮等级 / Moisture Sensitivity Level | 2 |
| 订购型号参考 / Order Number Reference | |
| HVS-3528DQX-ABBB-36-1 | |

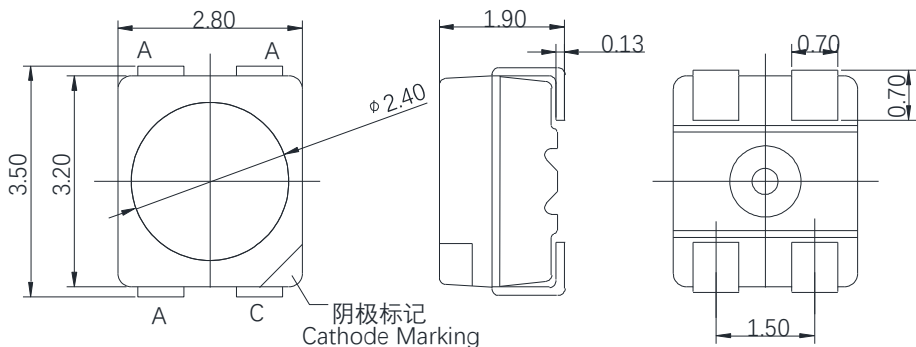
PT3528: Power Top 3528 Series



汽车信号灯
(尾灯、制动灯、指示灯等)

Automobile signal lamp
(Rear Light, Stop Light, Indicator Light, etc.)

Packing Unit
2000pcs / Reel



技术资料 / Technical Data

HVR-3528DES

发光颜色 / Emission Color

Red

主波长 / Dominant Wavelength

● 620-630 nm

光强 / Intensity

1.40-3.55 cd

典型电压 / Voltage (typ.)

2.15 V

典型电流 / Current (typ.)

50 mA

封装 / Package

3.5 x 2.8 x 1.9

发光角度 / View Angle at 50% I_v (typ.)

120°

防潮等级 / Moisture Sensitivity Level

2

订购型号参考 / Order Number Reference

HVR-3528DES-ABCA-1-1

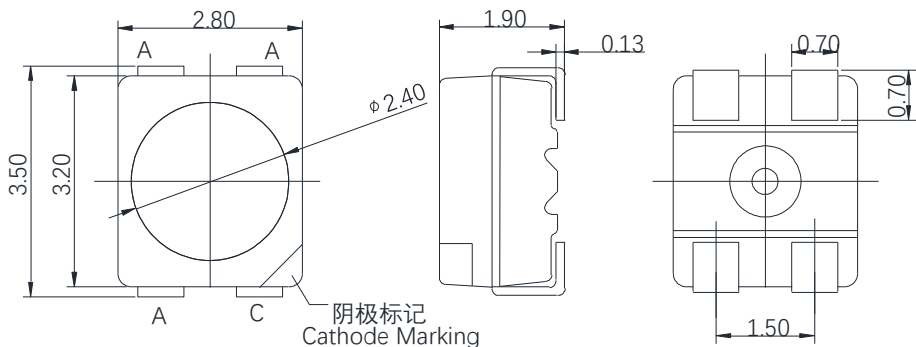
PT3528: Power Top 3528 Series



汽车信号灯
(尾灯、制动灯、指示灯等)

Automobile signal lamp
(Rear Light, Stop Light, Indicator Light, etc.)

Packing Unit
2000pcs / Reel



| 技术资料 / Technical Data | HVR-3528DER |
|--|-----------------|
| 发光颜色 / Emission Color | Red |
| 主波长 / Dominant Wavelength | ● 620-630 nm |
| 光强 / Intensity | 1.40-3.55 cd |
| 典型电压 / Voltage (typ.) | 2.15 V |
| 典型电流 / Current (typ.) | 50 mA |
| 封装 / Package | 3.5 x 2.8 x 1.9 |
| 发光角度 / View Angle at 50% I _v (typ.) | 120° |
| 防潮等级 / Moisture Sensitivity Level | 2 |
| 订购型号参考 / Order Number Reference | |
| HVR-3528DER-ABCA-1-1 | |

PT3528: Power Top 3528 Series

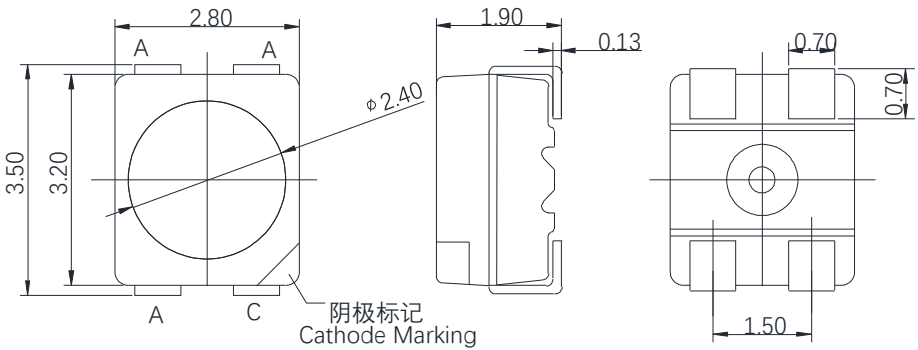


汽车信号灯
(尾灯、制动灯、指示灯等)

Automobile signal lamp
(Rear Light, Stop Light, Indicator Light, etc.)

Packing Unit

2000pcs / Reel



| 技术资料 / Technical Data | HVR-3528DQX |
|--|---|
| 发光颜色 / Emission Color | Red |
| 主波长 / Dominant Wavelength | ● 620-630 nm |
| 光强 / Intensity | 1.40-3.55 cd |
| 典型电压 / Voltage (typ.) | 2.15 V |
| 典型电流 / Current (typ.) | 50 mA |
| 封装 / Package | 3.5 x 2.8 x 1.9 |
| 发光角度 / View Angle at 50% I _v (typ.) | 120° |
| 防潮等级 / Moisture Sensitivity Level | 2 |
| 订购型号参考 / Order Number Reference | |
| HVR-3528DQX-ABCA-1-1 | |

PT3528: Power Top 3528 Series

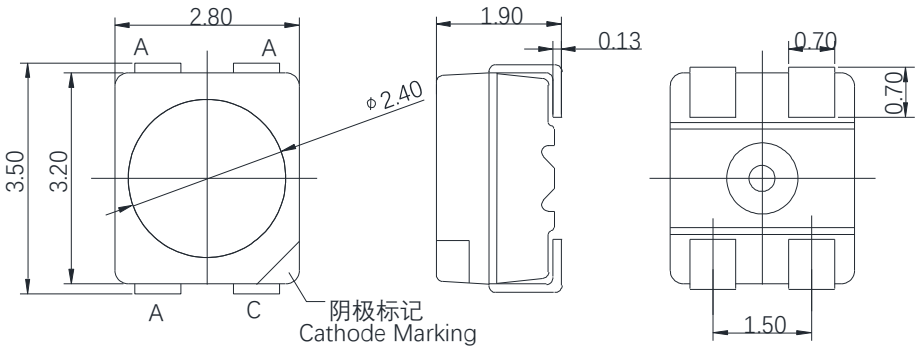


汽车信号灯
(尾灯、制动灯、指示灯等)

Automobile signal lamp
(Rear Light, Stop Light, Indicator Light, etc.)

Packing Unit

2000pcs / Reel



| 技术资料 / Technical Data | HVA-3528DES |
|--|-----------------|
| 发光颜色 / Emission Color | Amber |
| 主波长 / Dominant Wavelength | ● 612-624 nm |
| 光强 / Intensity | 2.24-4.50 cd |
| 典型电压 / Voltage (typ.) | 2.15 V |
| 典型电流 / Current (typ.) | 50 mA |
| 封装 / Package | 3.5 x 2.8 x 1.9 |
| 发光角度 / View Angle at 50% I _v (typ.) | 120° |
| 防潮等级 / Moisture Sensitivity Level | 2 |
| 订购型号参考 / Order Number Reference | |
| HVA-3528DES-BBCB-24-1 | |

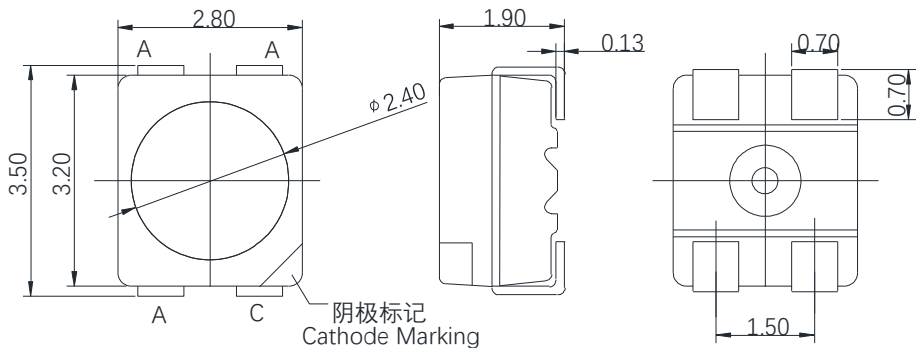
PT3528: Power Top 3528 Series



汽车信号灯
(尾灯、制动灯、指示灯等)

Automobile signal lamp
(Rear Light, Stop Light, Indicator Light, etc.)

Packing Unit
2000pcs / Reel



技术资料 / Technical Data

HVA-3528DER

发光颜色 / Emission Color

Amber

主波长 / Dominant Wavelength

● 612-624 nm

光强 / Intensity

1.80-4.50 cd

典型电压 / Voltage (typ.)

2.15 V

典型电流 / Current (typ.)

50 mA

封装 / Package

3.5 x 2.8 x 1.9

发光角度 / View Angle at 50% I_v (typ.)

120°

防潮等级 / Moisture Sensitivity Level

2

订购型号参考 / Order Number Reference

HVA-3528DER-BACB-24-1

PT3528: Power Top 3528 Series

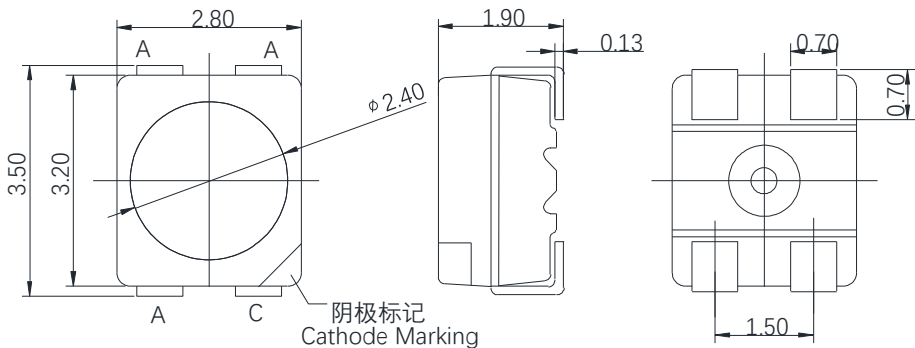


汽车信号灯
(尾灯、制动灯、指示灯等)

Automobile signal lamp
(Rear Light, Stop Light, Indicator Light, etc.)

Packing Unit

2000pcs / Reel



技术资料 / Technical Data

HVA-3528DQX

发光颜色 / Emission Color

Amber

主波长 / Dominant Wavelength

● 612-624 nm

光强 / Intensity

1.80-4.50 cd

典型电压 / Voltage (typ.)

2.15 V

典型电流 / Current (typ.)

50 mA

封装 / Package

3.5 x 2.8 x 1.9

发光角度 / View Angle at 50% I_v (typ.)

120°

防潮等级 / Moisture Sensitivity Level

2

订购型号参考 / Order Number Reference

HVA-3528DQX-BACB-24-1

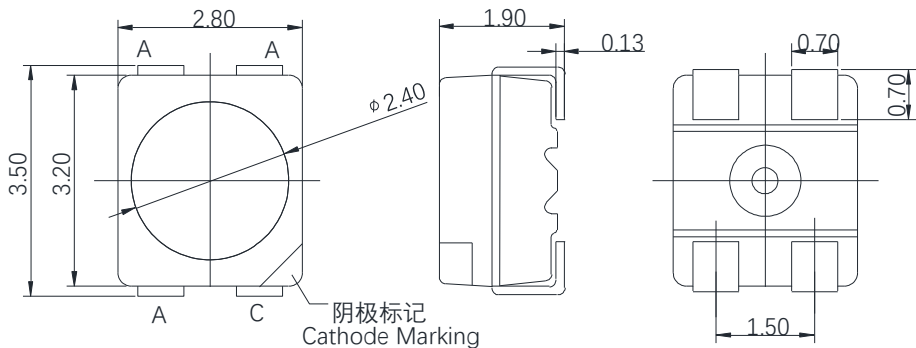
PT3528: Power Top 3528 Series



汽车信号灯
(尾灯、制动灯、指示灯等)

Automobile signal lamp
(Rear Light, Stop Light, Indicator Light, etc.)

Packing Unit
2000pcs / Reel



| 技术资料 / Technical Data | HVO-3528DES |
|--|-----------------|
| 发光颜色 / Emission Color | Orange |
| 主波长 / Dominant Wavelength | ● 600-609 nm |
| 光强 / Intensity | 1.40-4.50 cd |
| 典型电压 / Voltage (typ.) | 2.15 V |
| 典型电流 / Current (typ.) | 50 mA |
| 封装 / Package | 3.5 x 2.8 x 1.9 |
| 发光角度 / View Angle at 50% I _v (typ.) | 120° |
| 防潮等级 / Moisture Sensitivity Level | 2 |
| 订购型号参考 / Order Number Reference | |
| HVO-3528DES-ABCB-24-1 | |

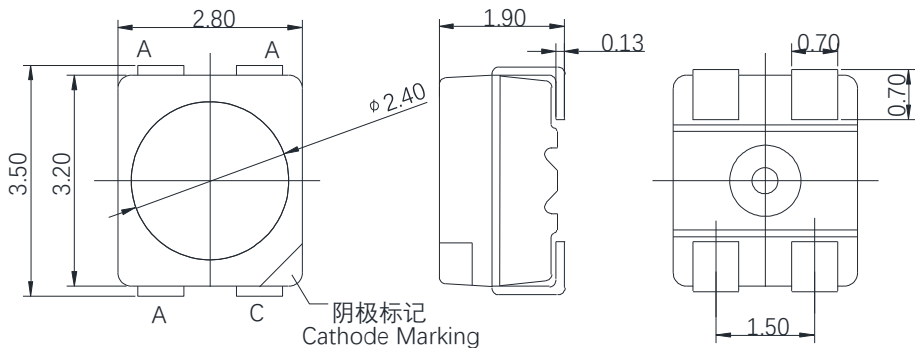
PT3528: Power Top 3528 Series



汽车信号灯
(尾灯、制动灯、指示灯等)

Automobile signal lamp
(Rear Light, Stop Light, Indicator Light, etc.)

Packing Unit
2000pcs / Reel




技术资料 / Technical Data

HVO-3528DER

发光颜色 / Emission Color

Orange

主波长 / Dominant Wavelength

 600-612 nm

光强 / Intensity

1.80-5.60 cd

典型电压 / Voltage (typ.)

2.15 V

典型电流 / Current (typ.)

50 mA

封装 / Package

3.5 x 2.8 x 1.9

发光角度 / View Angle at 50% I_v (typ.)

120°

防潮等级 / Moisture Sensitivity Level

2

订购型号参考 / Order Number Reference

HVO-3528DER-BADA-25-1

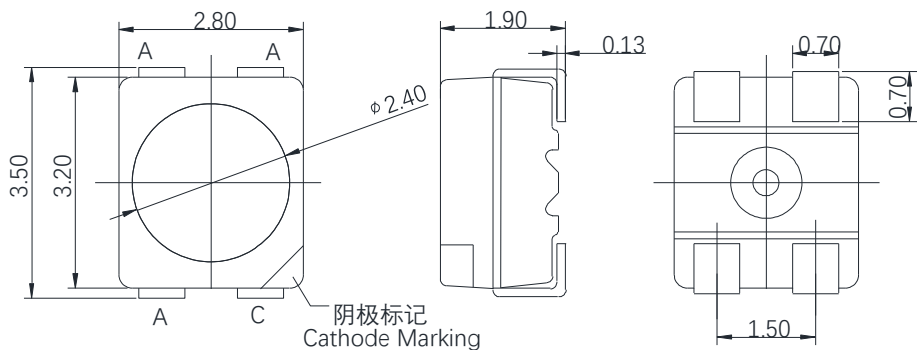
PT3528: Power Top 3528 Series



汽车信号灯
(尾灯、制动灯、指示灯等)

Automobile signal lamp
(Rear Light, Stop Light, Indicator Light, etc.)

Packing Unit
2000pcs / Reel



技术资料 / Technical Data

HVO-3528DQX

发光颜色 / Emission Color

Orange

主波长 / Dominant Wavelength

● 600-612 nm

光强 / Intensity

1.80-5.60 cd

典型电压 / Voltage (typ.)

2.15 V

典型电流 / Current (typ.)

50 mA

封装 / Package

3.5 x 2.8 x 1.9

发光角度 / View Angle at 50% I_v (typ.)

120°

防潮等级 / Moisture Sensitivity Level

2

订购型号参考 / Order Number Reference

HVO-3528DQX-BADA-25-1

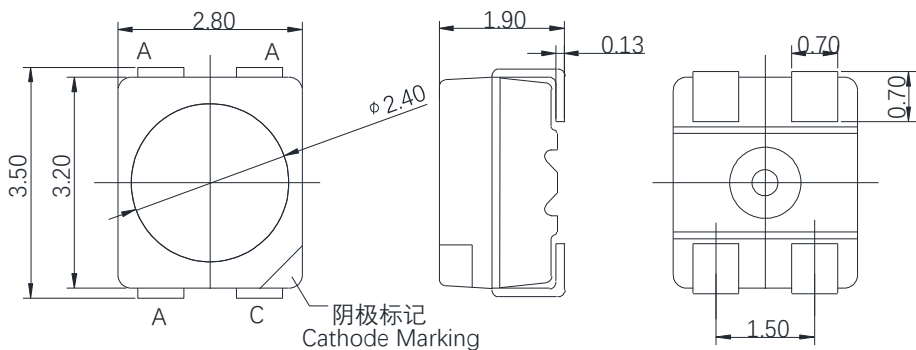
PT3528: Power Top 3528 Series



汽车信号灯
(尾灯、制动灯、指示灯等)

Automobile signal lamp
(Rear Light, Stop Light, Indicator Light, etc.)

Packing Unit
2000pcs / Reel




技术资料 / Technical Data

HVY-3528DES

发光颜色 / Emission Color

Yellow

主波长 / Dominant Wavelength

 583-595 nm

光强 / Intensity

1.40-4.50 cd

典型电压 / Voltage (typ.)

2.15 V

典型电流 / Current (typ.)

50 mA

封装 / Package

3.5 x 2.8 x 1.9

发光角度 / View Angle at 50% I_v (typ.)

120°

防潮等级 / Moisture Sensitivity Level

2

订购型号参考 / Order Number Reference

HVY-3528DES-ABCB-36-1

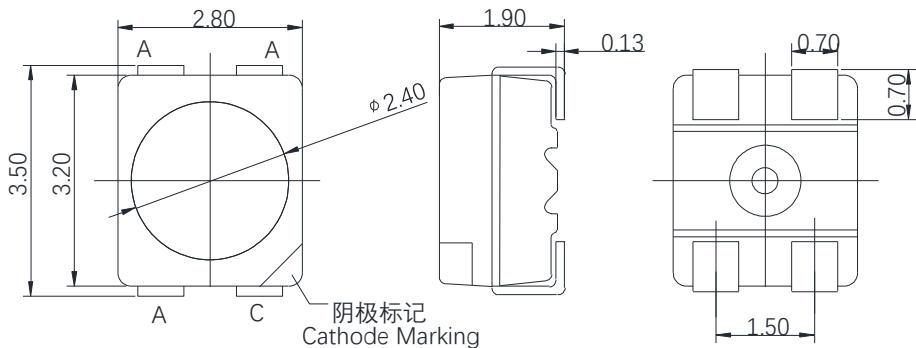
PT3528: Power Top 3528 Series



汽车信号灯
(尾灯、制动灯、指示灯等)

Automobile signal lamp
(Rear Light, Stop Light, Indicator Light, etc.)

Packing Unit
2000pcs / Reel




技术资料 / Technical Data

HVY-3528DER

发光颜色 / Emission Color

Yellow

主波长 / Dominant Wavelength

 583-595 nm

光强 / Intensity

1.12-4.50 cd

典型电压 / Voltage (typ.)

2.15 V

典型电流 / Current (typ.)

50 mA

封装 / Package

3.5 x 2.8 x 1.9

发光角度 / View Angle at 50% I_v (typ.)

120°

防潮等级 / Moisture Sensitivity Level

2

订购型号参考 / Order Number Reference

HVY-3528DER-AACB-36-1

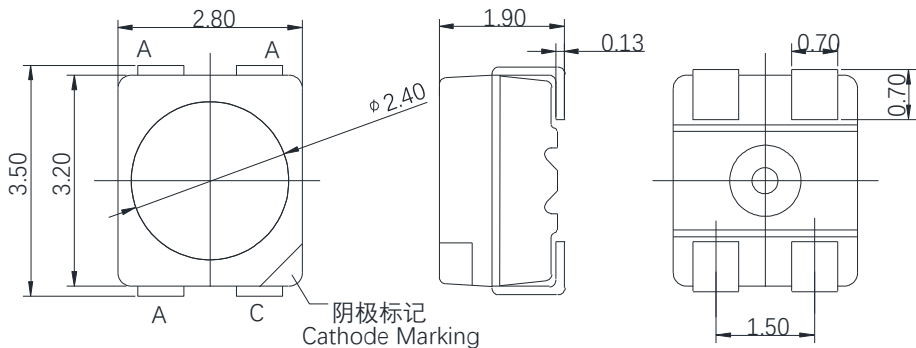
PT3528: Power Top 3528 Series



汽车信号灯
(尾灯、制动灯、指示灯等)

Automobile signal lamp
(Rear Light, Stop Light, Indicator Light, etc.)

Packing Unit
2000pcs / Reel



技术资料 / Technical Data

HVY-3528DQX

发光颜色 / Emission Color

Yellow

主波长 / Dominant Wavelength

● 583-595 nm

光强 / Intensity

1.12-4.50 cd

典型电压 / Voltage (typ.)

2.15 V

典型电流 / Current (typ.)

50 mA

封装 / Package

3.5 x 2.8 x 1.9

发光角度 / View Angle at 50% I_v (typ.)

120°

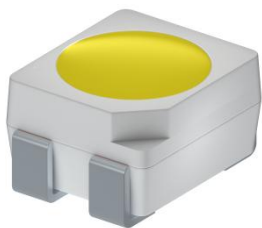
防潮等级 / Moisture Sensitivity Level

2

订购型号参考 / Order Number Reference

HVY-3528DQX-AACB-36-1

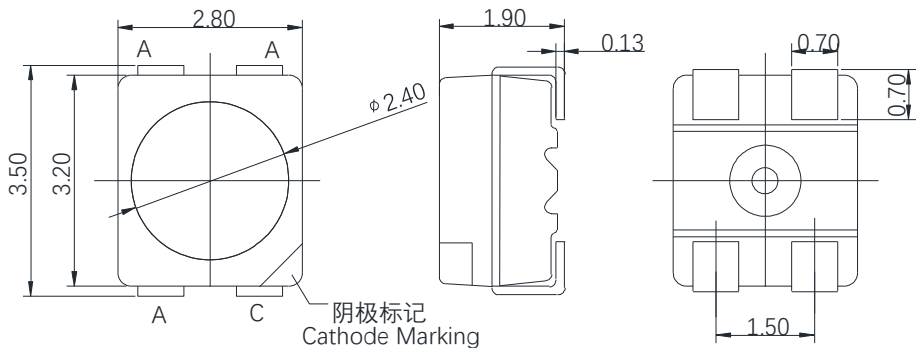
PT3528: Power Top 3528 Series



汽车信号灯
(尾灯、制动灯、指示灯等)

Automobile signal lamp
(Rear Light, Stop Light, Indicator Light, etc.)

Packing Unit
2000pcs / Reel




技术资料 / Technical Data

HVCW-3528DQX

发光颜色 / Emission Color

Color on demand White

典型色坐标 / Color acc. to CIE 1931 (typ.)

 0.33, 0.33 (typ.)

光强 / Intensity

1.12-2.80 cd

典型电压 / Voltage (typ.)

3.30 V

典型电流 / Current (typ.)

30 mA

封装 / Package

3.5 x 2.8 x 1.9

发光角度 / View Angle at 50% I_v (typ.)

120°

防潮等级 / Moisture Sensitivity Level

2

订购型号参考 / Order Number Reference

HVCW-3528DQX-AABB-FK0PN0-1

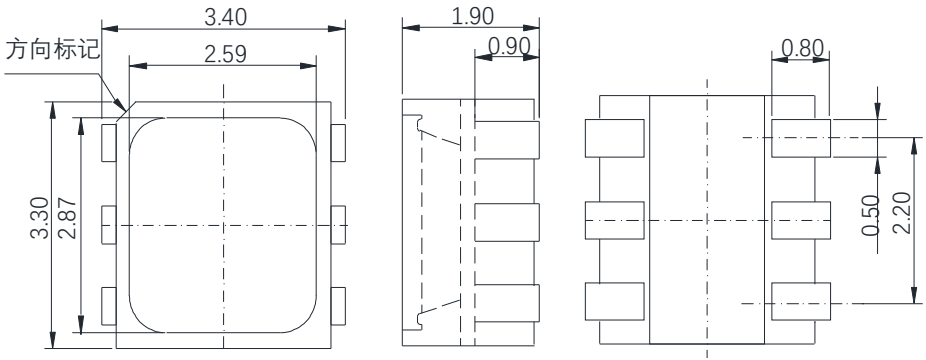
APT3433: Advanced Power Top 3433 Series

汽车内指示灯、氛围灯、背光灯等
Automobile interior Indicator Light,
Ambient Light, Backlight, etc.



Packing Unit

1000pcs / Reel



技术资料 / Technical Data

HVRTB-3433EPX

| 发光颜色 / Emission Color | Red | True green | Blue |
|--|-----------------|--------------|--------------|
| 主波长 / Dominant Wavelength | ● 620-632 nm | ● 519-546 nm | ● 447-476 nm |
| 光强 / Intensity | 0.50-1.00 cd | 1.25-2.01 cd | 0.18-0.56 cd |
| 典型电压 / Voltage (typ.) | 2.05 V | 3.20 V | 2.85 V |
| 典型电流 / Current (typ.) | 20 mA | | |
| 封装 / Package | 3.4 x 3.3 x 1.9 | | |
| 发光角度 / View Angle at 50% I _v (typ.) | 120° | | |
| 防潮等级 / Moisture Sensitivity Level | 2 | | |

订购型号参考 / Order Number Reference

HVRTB-3433EPX-VCVD-24+AMAQ-29+SBUC-HR

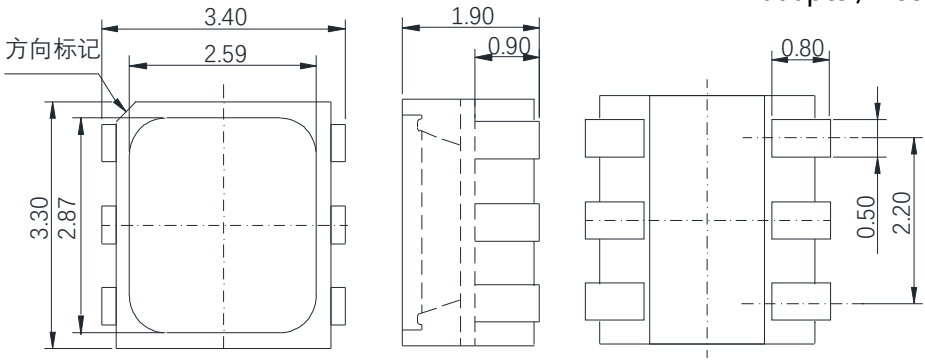
APT3433: Advanced Power Top 3433 Series

汽车内指示灯、氛围灯、背光灯等
Automobile interior Indicator Light,
Ambient Light, Backlight, etc.



Packing Unit

1000pcs / Reel



技术资料 / Technical Data

HVTRB-3433EPX

| 发光颜色 / Emission Color | Red | True green | Blue |
|--|-----------------|--------------|--------------|
| 主波长 / Dominant Wavelength | ● 612-632 nm | ● 519-546 nm | ● 447-476 nm |
| 光强 / Intensity | 0.50-1.00 cd | 1.25-2.01 cd | 0.18-0.56 cd |
| 典型电压 / Voltage (typ.) | 2.05 V | 3.20 V | 2.85 V |
| 典型电流 / Current (typ.) | 20 mA | | |
| 封装 / Package | 3.4 x 3.3 x 1.9 | | |
| 发光角度 / View Angle at 50% I _v (typ.) | 120° | | |
| 防潮等级 / Moisture Sensitivity Level | 2 | | |

订购型号参考 / Order Number Reference

HVTRB-3433EPX-UEVE-25+AM AQ-29+SCUC-HR

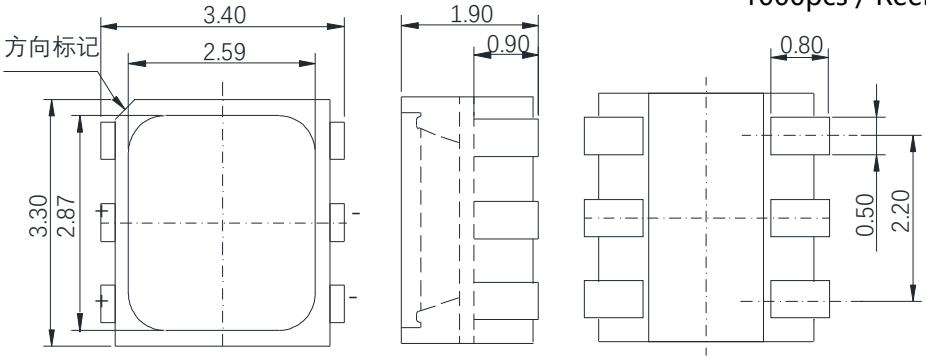
APT3433: Advanced Power Top 3433 Series

汽车内指示灯、氛围灯、背光灯等
Automobile interior Indicator Light,
Ambient Light, Backlight, etc.



Packing Unit

1000pcs / Reel



技术资料 / Technical Data

HVTRB-3433EPXA

| 发光颜色 / Emission Color | Red | True green | Blue |
|--|-----------------|--------------|--------------|
| 主波长 / Dominant Wavelength | ● 612-632 nm | ● 519-546 nm | ● 447-476 nm |
| 光强 / Intensity | 0.40-1.00 cd | 0.50-2.01 cd | 0.10-0.56 cd |
| 典型电压 / Voltage (typ.) | 2.05 V | 3.20 V | 2.85 V |
| 典型电流 / Current (typ.) | 20 mA | | |
| 封装 / Package | 3.4 x 3.3 x 1.9 | | |
| 发光角度 / View Angle at 50% I _v (typ.) | 120° | | |
| 防潮等级 / Moisture Sensitivity Level | 2 | | |

订购型号参考 / Order Number Reference

HVTRB-3433EPXA-UDVE-25+ALAQ-29+SBUC-HR

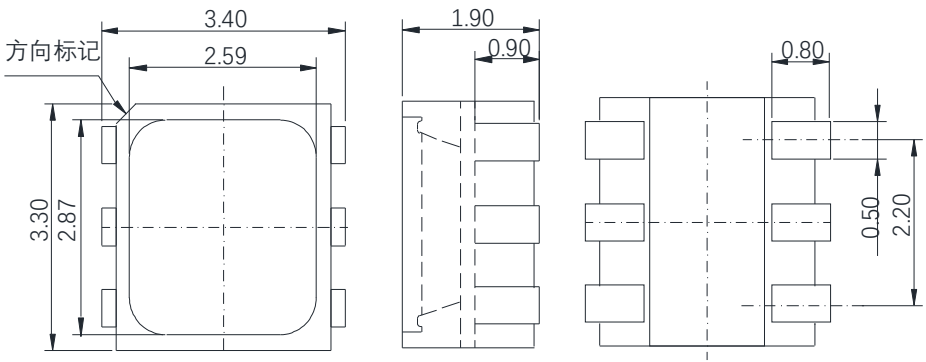
APT3433: Advanced Power Top 3433 Series

汽车内指示灯、氛围灯、背光灯等
Automobile interior Indicator Light,
Ambient Light, Backlight, etc.



Packing Unit

1000pcs / Reel



技术资料 / Technical Data

HVRTB-3433EPW

| 发光颜色 / Emission Color | Red | True green | Blue |
|--|-----------------|--------------|--------------|
| 主波长 / Dominant Wavelength | 620-632 nm | 519-546 nm | 447-476 nm |
| 光强 / Intensity | 0.50-1.00 cd | 1.25-2.01 cd | 0.18-0.56 cd |
| 典型电压 / Voltage (typ.) | 2.15 V | 2.85 V | 2.85 V |
| 典型电流 / Current (typ.) | 20 mA | | |
| 封装 / Package | 3.4 x 3.3 x 1.9 | | |
| 发光角度 / View Angle at 50% I _v (typ.) | 120° | | |
| 防潮等级 / Moisture Sensitivity Level | 2 | | |

订购型号参考 / Order Number Reference

HVRTB-3433EPW-UDVE-24+AMAR-29+SBUC-HR

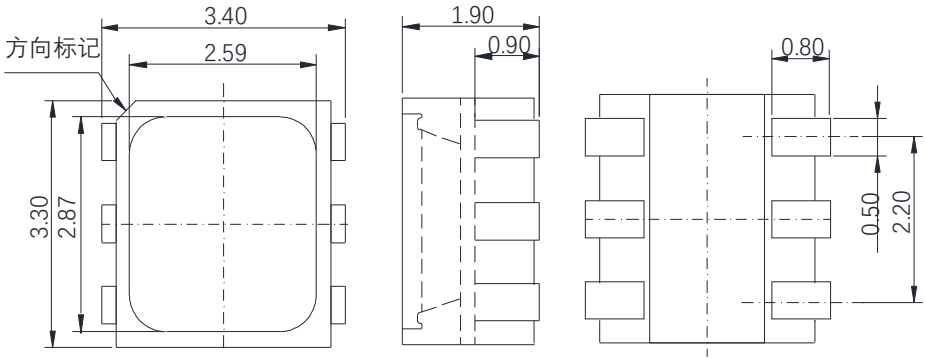
APT3433: Advanced Power Top 3433 Series

汽车内指示灯、氛围灯、背光灯等
Automobile interior Indicator Light,
Ambient Light, Backlight, etc.



Packing Unit

1000pcs / Reel



技术资料 / Technical Data

HVRTB-3433EQW

| 发光颜色 / Emission Color | Red | True green | Blue |
|--|-----------------|--------------|--------------|
| 主波长 / Dominant Wavelength | ● 620-632 nm | ● 519-546 nm | ● 447-476 nm |
| 光强 / Intensity | 1.40-3.55 cd | 2.24-5.60 cd | 0.56-1.40 cd |
| 典型电压 / Voltage (typ.) | 2.05 V | 3.70 V | 3.70 V |
| 典型电流 / Current (typ.) | 50 mA | | |
| 封装 / Package | 3.4 x 3.3 x 1.9 | | |
| 发光角度 / View Angle at 50% I _v (typ.) | 120° | | |
| 防潮等级 / Moisture Sensitivity Level | 2 | | |

订购型号参考 / Order Number Reference

HVRTB-3433EQW-ABCA-24+BBDA-29+U2AA-HR

APT3433: Advanced Power Top 3433 Series

汽车信号灯

(尾灯、制动灯、指示灯等)

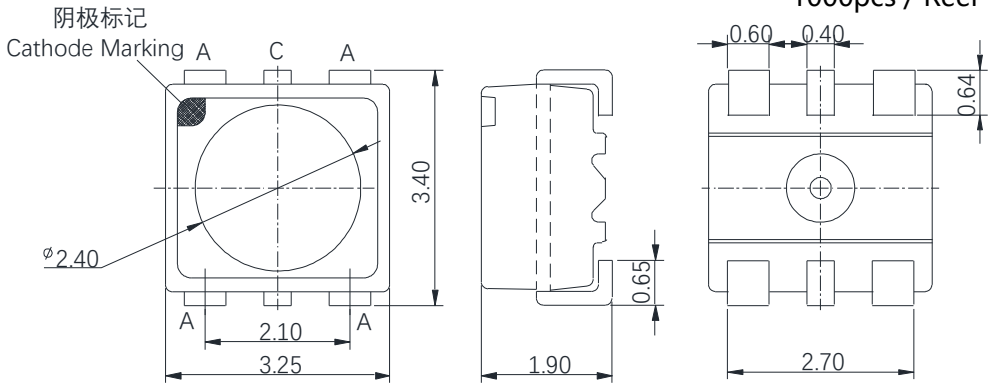
Automobile signal lamp

(Rear Light, Stop Light, Indicator Light, etc.)



Packing Unit

1000pcs / Reel



| | |
|--|---|
| 技术资料 / Technical Data | HVS-3433EES |
| 发光颜色 / Emission Color | Super red |
| 主波长 / Dominant Wavelength | ● 627-639 nm |
| 光强 / Intensity | 2.80-7.10 cd |
| 典型电压 / Voltage (typ.) | 2.15 V |
| 典型电流 / Current (typ.) | 140 mA |
| 封装 / Package | 3.4 x 3.3 x 1.9 |
| 发光角度 / View Angle at 50% I _v (typ.) | 120° |
| 防潮等级 / Moisture Sensitivity Level | 2 |
| 订购型号参考 / Order Number Reference | |
| HVS-3433EES-CADB-1-1 | |

APT3433: Advanced Power Top 3433 Series

汽车信号灯

(尾灯、制动灯、指示灯等)

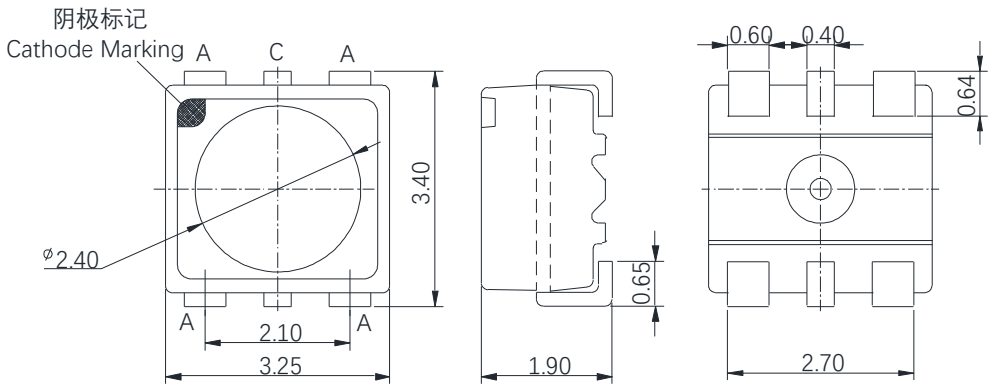
Automobile signal lamp

(Rear Light, Stop Light, Indicator Light, etc.)



Packing Unit

1000pcs / Reel



| 技术资料 / Technical Data | HVS-3433EQX |
|--|---|
| 发光颜色 / Emission Color | Super red |
| 主波长 / Dominant Wavelength | ● 627-639 nm |
| 光强 / Intensity | 2.80-7.10 cd |
| 典型电压 / Voltage (typ.) | 2.15 V |
| 典型电流 / Current (typ.) | 140 mA |
| 封装 / Package | 3.4 x 3.3 x 1.9 |
| 发光角度 / View Angle at 50% I _v (typ.) | 120° |
| 防潮等级 / Moisture Sensitivity Level | 2 |
| 订购型号参考 / Order Number Reference | |
| HVS-3433EQX-CADB-1-1 | |

APT3433: Advanced Power Top 3433 Series



汽车信号灯

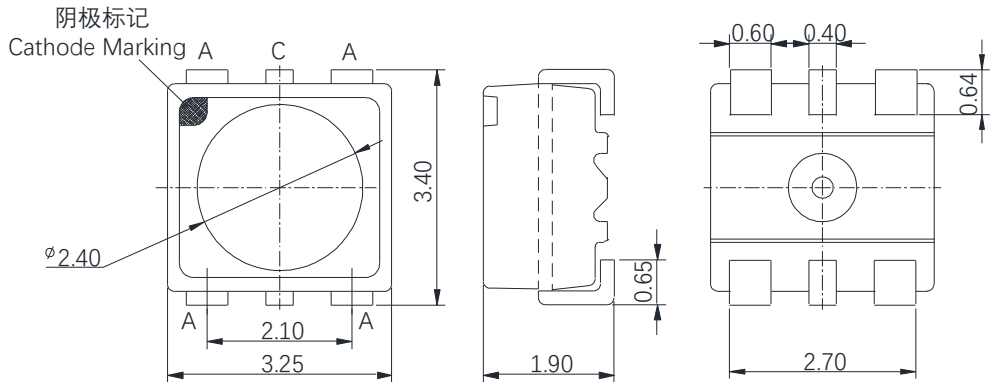
(尾灯、制动灯、指示灯等)

Automobile signal lamp

(Rear Light, Stop Light, Indicator Light, etc.)

Packing Unit

1000pcs / Reel




技术资料 / Technical Data

HVR-3433EES

发光颜色 / Emission Color

Red

主波长 / Dominant Wavelength

 620-629 nm

光强 / Intensity

3.55 - 9.00 cd

典型电压 / Voltage (typ.)

2.15 V

典型电流 / Current (typ.)

140 mA

封装 / Package

3.4 x 3.3 x 1.9

发光角度 / View Angle at 50% I_v (typ.)

120°

防潮等级 / Moisture Sensitivity Level

2

订购型号参考 / Order Number Reference

HVR-3433EES-CBEA-1-1

APT3433: Advanced Power Top 3433 Series

汽车信号灯

(尾灯、制动灯、指示灯等)

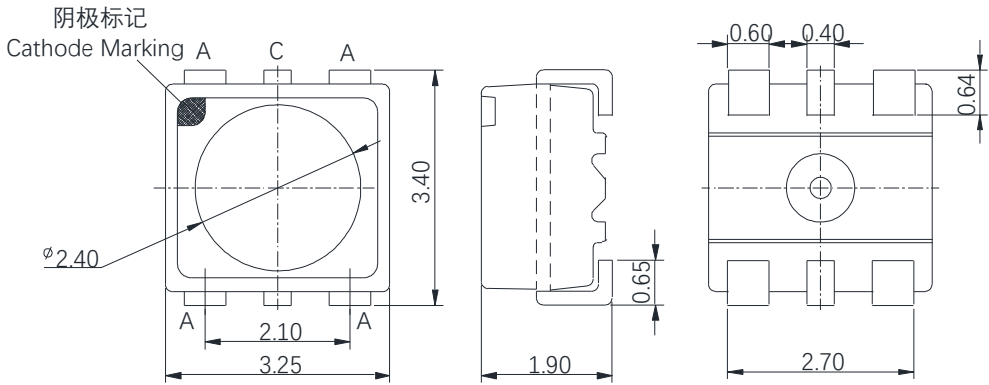
Automobile signal lamp

(Rear Light, Stop Light, Indicator Light, etc.)



Packing Unit

1000pcs / Reel



技术资料 / Technical Data

HVR-3433EQX

发光颜色 / Emission Color

Red

主波长 / Dominant Wavelength

● 620-629 nm

光强 / Intensity

3.55 - 9.00 cd

典型电压 / Voltage (typ.)

2.15 V

典型电流 / Current (typ.)

140 mA

封装 / Package

3.4 x 3.3 x 1.9

发光角度 / View Angle at 50% I_v (typ.)

120°

防潮等级 / Moisture Sensitivity Level

2

订购型号参考 / Order Number Reference

HVR-3433EQX-CBEA-1-1

APT3433: Advanced Power Top 3433 Series

汽车信号灯

(尾灯、制动灯、指示灯等)

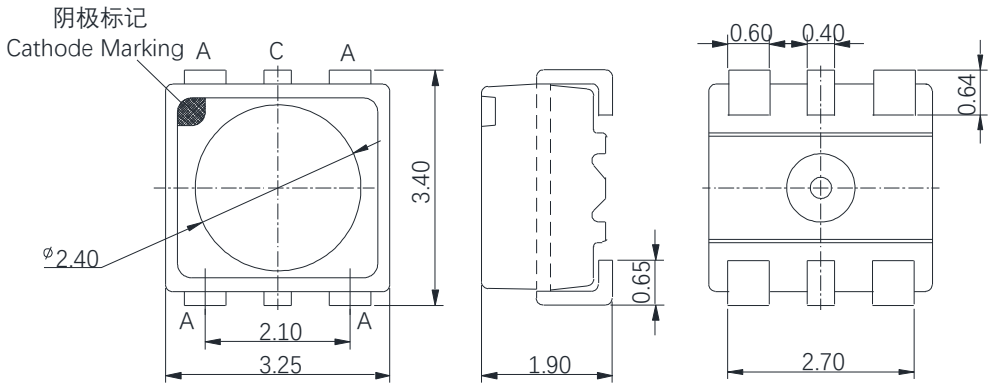
Automobile signal lamp

(Rear Light, Stop Light, Indicator Light, etc.)



Packing Unit

1000pcs / Reel



技术资料 / Technical Data

HVA-3433EES

发光颜色 / Emission Color

Amber

主波长 / Dominant Wavelength

● 612-624 nm

光强 / Intensity

4.50-14.00 cd

典型电压 / Voltage (typ.)

2.15 V

典型电流 / Current (typ.)

140 mA

封装 / Package

3.4 x 3.3 x 1.9

发光角度 / View Angle at 50% I_v (typ.)

120°

防潮等级 / Moisture Sensitivity Level

2

订购型号参考 / Order Number Reference

HVA-3433EES-DAFA-24-1

APT3433: Advanced Power Top 3433 Series

汽车信号灯

(尾灯、制动灯、指示灯等)

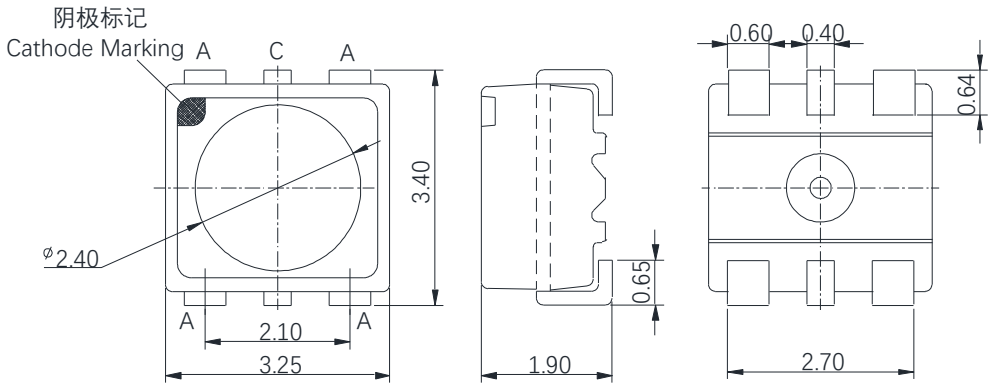
Automobile signal lamp

(Rear Light, Stop Light, Indicator Light, etc.)



Packing Unit

1000pcs / Reel



技术资料 / Technical Data

HVA-3433EQX

发光颜色 / Emission Color

Amber

主波长 / Dominant Wavelength

● 612-624 nm

光强 / Intensity

4.50-14.00 cd

典型电压 / Voltage (typ.)

2.15 V

典型电流 / Current (typ.)

140 mA

封装 / Package

3.4 x 3.3 x 1.9

发光角度 / View Angle at 50% I_v (typ.)

120°

防潮等级 / Moisture Sensitivity Level

2

订购型号参考 / Order Number Reference

HVA-3433EQX-DAFA-24-1

APT3433: Advanced Power Top 3433 Series

汽车信号灯

(尾灯、制动灯、指示灯等)

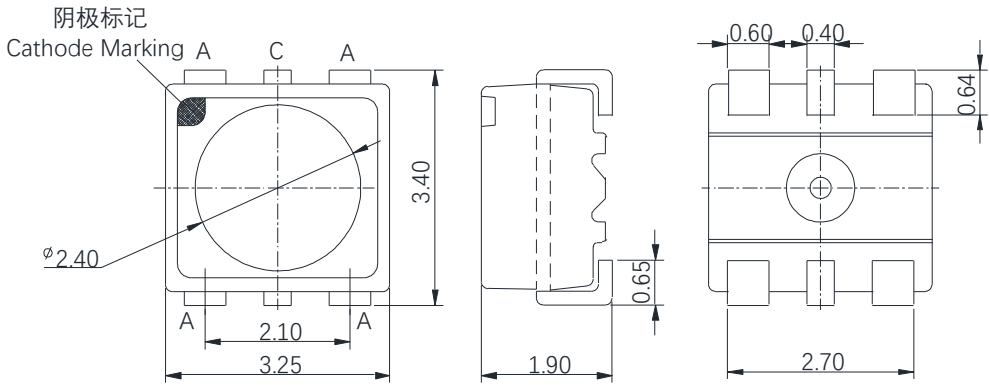
Automobile signal lamp

(Rear Light, Stop Light, Indicator Light, etc.)



Packing Unit

1000pcs / Reel




技术资料 / Technical Data

HVY-3433EES

发光颜色 / Emission Color

Yellow

主波长 / Dominant Wavelength

 583-595 nm

光强 / Intensity

3.55-11.20 cd

典型电压 / Voltage (typ.)

2.25 V

典型电流 / Current (typ.)

140 mA

封装 / Package

3.4 x 3.3 x 1.9

发光角度 / View Angle at 50% I_v (typ.)

120°

防潮等级 / Moisture Sensitivity Level

2

订购型号参考 / Order Number Reference

HVY-3433EES-CBEB-36-1

APT3433: Advanced Power Top 3433 Series

汽车信号灯

(尾灯、制动灯、指示灯等)

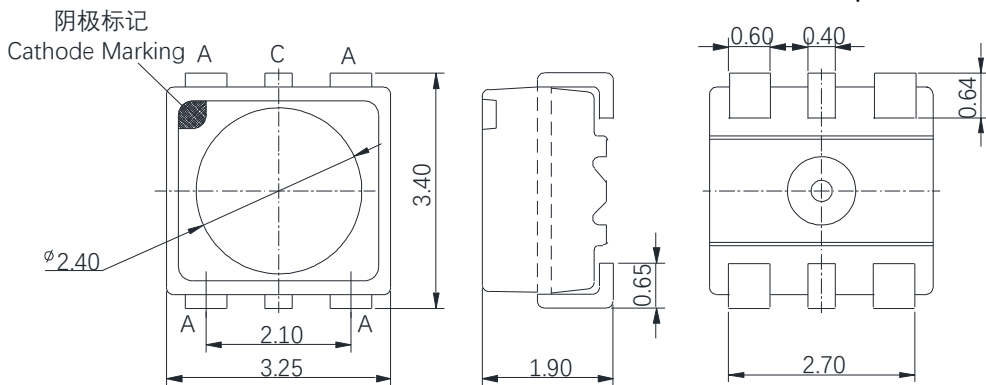
Automobile signal lamp

(Rear Light, Stop Light, Indicator Light, etc.)



Packing Unit

1000pcs / Reel




技术资料 / Technical Data

HVY-3433EQX

发光颜色 / Emission Color

Yellow

主波长 / Dominant Wavelength

 583-595 nm

光强 / Intensity

3.55-11.20 cd

典型电压 / Voltage (typ.)

2.25 V

典型电流 / Current (typ.)

140 mA

封装 / Package

3.4 x 3.3 x 1.9

发光角度 / View Angle at 50% I_v (typ.)

120°

防潮等级 / Moisture Sensitivity Level

2

订购型号参考 / Order Number Reference

HVY-3433EQX-CBEB-36-1

APT3433: Advanced Power Top 3433 Series

汽车信号灯

(尾灯、制动灯、指示灯等)

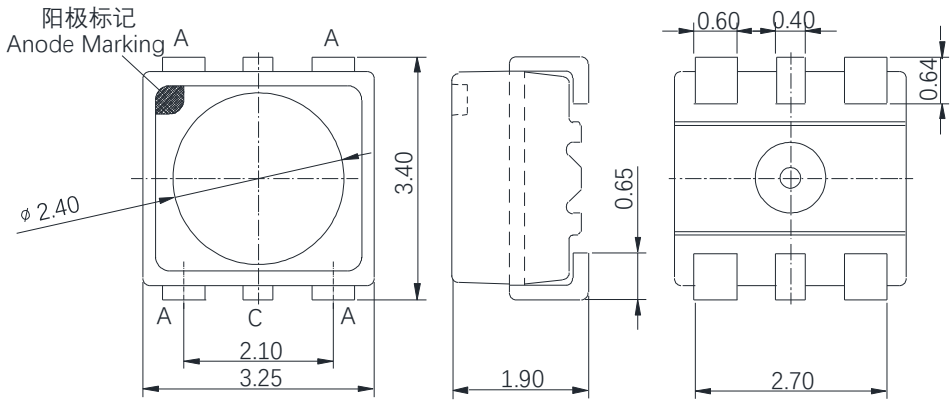
Automobile signal lamp

(Rear Light, Stop Light, Indicator Light, etc.)



Packing Unit

1000pcs / Reel




技术资料 / Technical Data

HVT-3433EES

发光颜色 / Emission Color

True green

主波长 / Dominant Wavelength

 513-543 nm

光强 / Intensity

3.55-11.20 cd

典型电压 / Voltage (typ.)

3.30 V

典型电流 / Current (typ.)

140 mA

封装 / Package

3.4 x 3.3 x 1.9

发光角度 / View Angle at 50% I_v (typ.)

120°

防潮等级 / Moisture Sensitivity Level

2

订购型号参考 / Order Number Reference

HVT-3433EES-CBEB-26-1

APT3433: Advanced Power Top 3433 Series

汽车信号灯

(尾灯、制动灯、指示灯等)

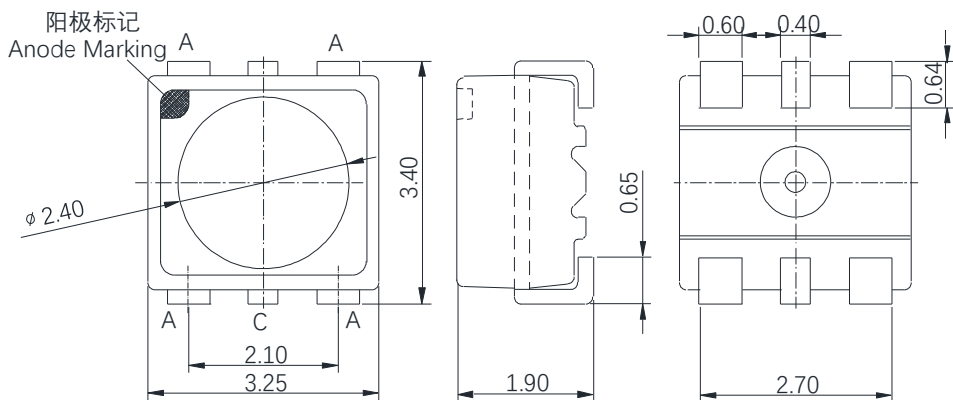
Automobile signal lamp

(Rear Light, Stop Light, Indicator Light, etc.)



Packing Unit

1000pcs / Reel




技术资料 / Technical Data

HVT-3433EQXA

发光颜色 / Emission Color

True green

主波长 / Dominant Wavelength

 513-543 nm

光强 / Intensity

3.55-11.20 cd

典型电压 / Voltage (typ.)

3.30 V

典型电流 / Current (typ.)

140 mA

封装 / Package

3.4 x 3.3 x 1.9

发光角度 / View Angle at 50% I_v (typ.)

120°

防潮等级 / Moisture Sensitivity Level

2

订购型号参考 / Order Number Reference

HVT-3433EQXA-CBEB-26-1

APT3433: Advanced Power Top 3433 Series

汽车信号灯

(尾灯、制动灯、指示灯等)

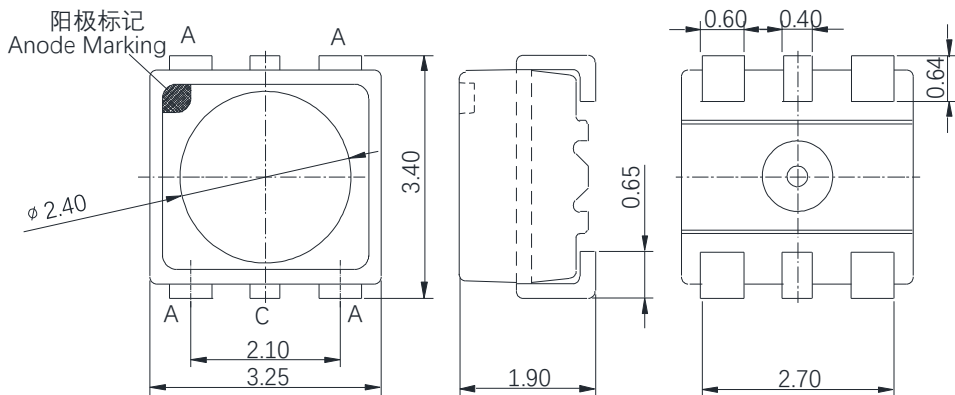
Automobile signal lamp

(Rear Light, Stop Light, Indicator Light, etc.)



Packing Unit

1000pcs / Reel



技术资料 / Technical Data

HVB-3433EES

发光颜色 / Emission Color

Blue

主波长 / Dominant Wavelength

● 460-476 nm

光强 / Intensity

1.80-4.50 cd

典型电压 / Voltage (typ.)

3.30 V

典型电流 / Current (typ.)

140 mA

封装 / Package

3.4 x 3.3 x 1.9

发光角度 / View Angle at 50% I_v (typ.)

120°

防潮等级 / Moisture Sensitivity Level

2

订购型号参考 / Order Number Reference

HVB-3433EES-BACB-25-1

APT3433: Advanced Power Top 3433 Series

汽车信号灯

(尾灯、制动灯、指示灯等)

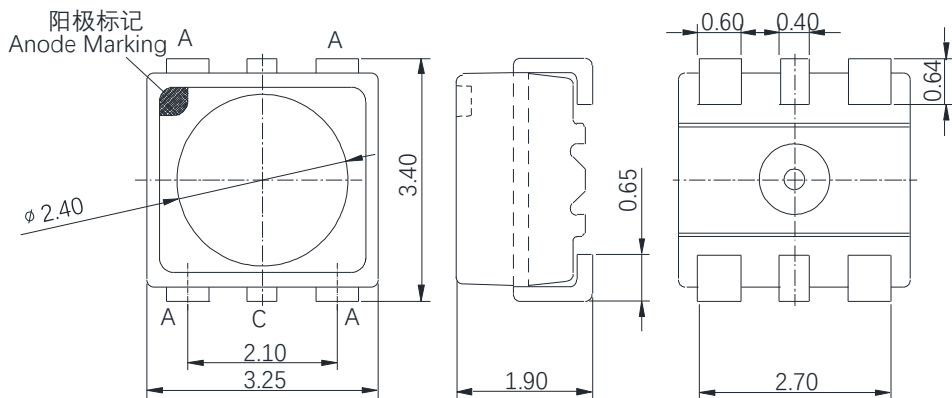
Automobile signal lamp

(Rear Light, Stop Light, Indicator Light, etc.)



Packing Unit

1000pcs / Reel



技术资料 / Technical Data

HVB-3433EQXA

发光颜色 / Emission Color

Blue

主波长 / Dominant Wavelength

● 464-476 nm

光强 / Intensity

1.80-4.50 cd

典型电压 / Voltage (typ.)

3.30 V

典型电流 / Current (typ.)

140 mA

封装 / Package

3.4 x 3.3 x 1.9

发光角度 / View Angle at 50% I_v (typ.)

120°

防潮等级 / Moisture Sensitivity Level

2

订购型号参考 / Order Number Reference

HVB-3433EQXA-BACB-35-1

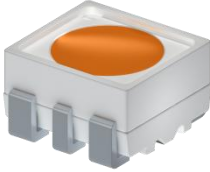
APT3433: Advanced Power Top 3433 Series

汽车信号灯

(尾灯、制动灯、指示灯等)

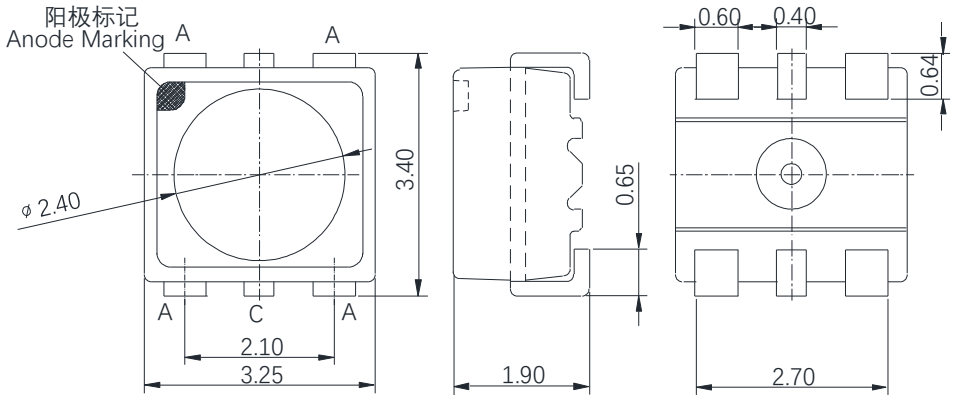
Automobile signal lamp

(Rear Light, Stop Light, Indicator Light, etc.)



Packing Unit

1000pcs / Reel



技术资料 / Technical Data

HVCY-3433EES

发光颜色 / Emission Color

Color on demand Yellow

典型色坐标 / Color acc. To CIE 1931 (typ.)

● 0.57, 0.42 (typ.)

光强 / Intensity

3.55-18.00 cd

典型电压 / Voltage (typ.)

3.30 V

典型电流 / Current (typ.)

140 mA

封装 / Package

3.4 x 3.3 x 1.9

发光角度 / View Angle at 50% I_v (typ.)

120°

防潮等级 / Moisture Sensitivity Level

2

订购型号参考 / Order Number Reference

HVCY-3433EES-CBFB-5E-1

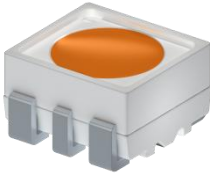
APT3433: Advanced Power Top 3433 Series

汽车信号灯

(尾灯、制动灯、指示灯等)

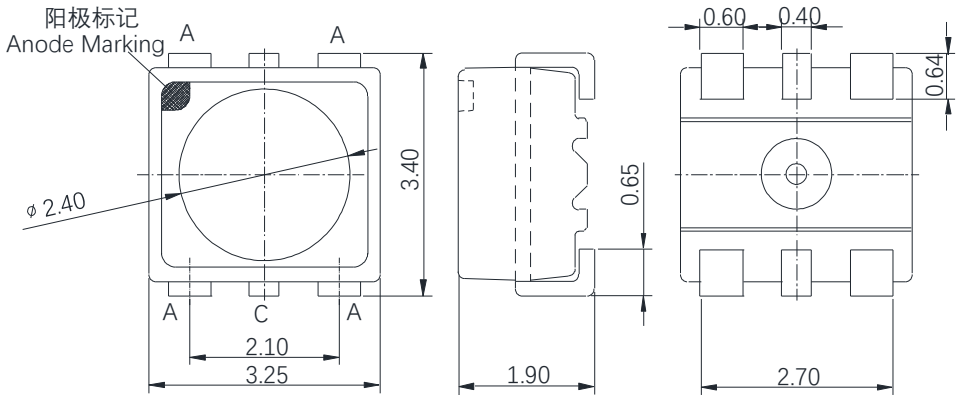
Automobile signal lamp

(Rear Light, Stop Light, Indicator Light, etc.)



Packing Unit

1000pcs / Reel



技术资料 / Technical Data

HVCY-3433EQXA

发光颜色 / Emission Color

Color on demand Yellow

典型色坐标 / Color acc. To CIE 1931 (typ.)

● 0.57, 0.42 (typ.)

光强 / Intensity

3.55-18.00 cd

典型电压 / Voltage (typ.)

3.30 V

典型电流 / Current (typ.)

140 mA

封装 / Package

3.4 x 3.3 x 1.9

发光角度 / View Angle at 50% I_v (typ.)

120°

防潮等级 / Moisture Sensitivity Level

2

订购型号参考 / Order Number Reference

HVCY-3433EQXA-CBFB-5E-1

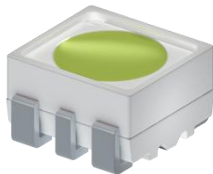
APT3433: Advanced Power Top 3433 Series

汽车信号灯

(尾灯、制动灯、指示灯等)

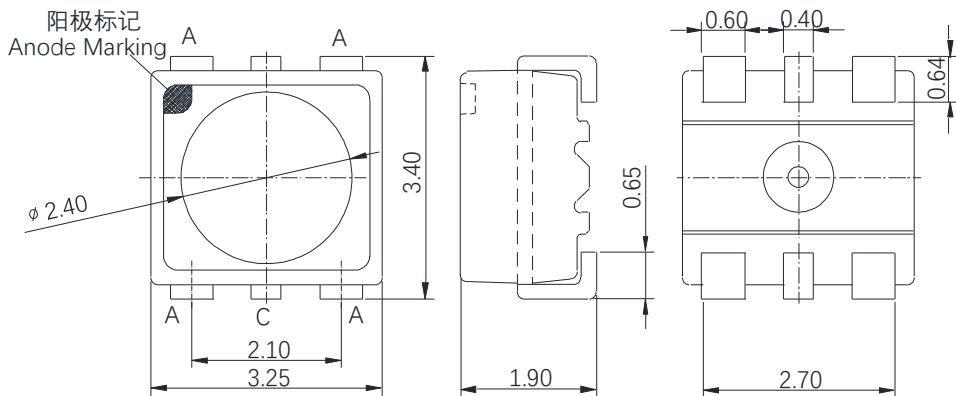
Automobile signal lamp

(Rear Light, Stop Light, Indicator Light, etc.)



Packing Unit

1000pcs / Reel



技术资料 / Technical Data

HVCB-3433EES

发光颜色 / Emission Color

Color on demand Blue

典型色坐标 / Color acc. to CIE 1931 (typ.)

● 0.20, 0.30 (typ.)

光强 / Intensity

5.60-14.00 cd

典型电压 / Voltage (typ.)

3.30 V

典型电流 / Current (typ.)

140 mA

封装 / Package

3.4 x 3.3 x 1.9

发光角度 / View Angle at 50% I_v (typ.)

120°

防潮等级 / Moisture Sensitivity Level

2

订购型号参考 / Order Number Reference

HVCB-3433EES-DBFB-2J8L-1

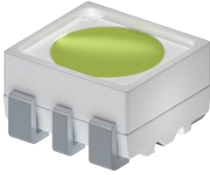
APT3433: Advanced Power Top 3433 Series

汽车信号灯

(尾灯、制动灯、指示灯等)

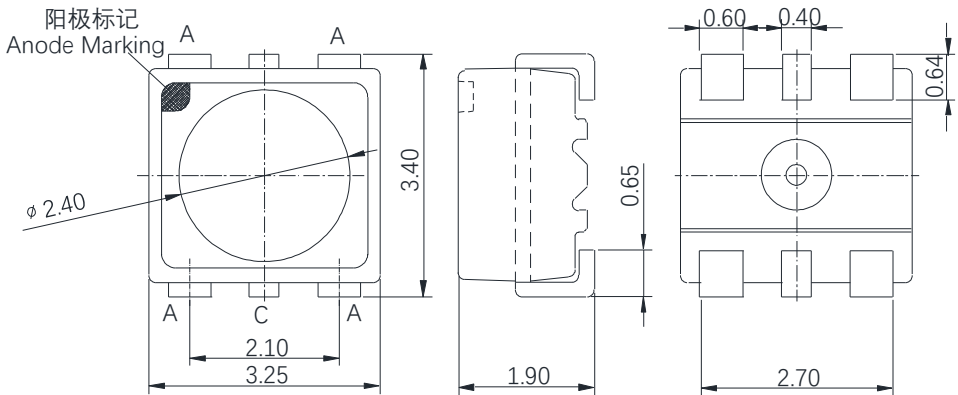
Automobile signal lamp

(Rear Light, Stop Light, Indicator Light, etc.)



Packing Unit

1000pcs / Reel



技术资料 / Technical Data

HVCB-3433EQXA

发光颜色 / Emission Color

Color on demand Blue

典型色坐标 / Color acc. to CIE 1931 (typ.)

● 0.20, 0.30 (typ.)

光强 / Intensity

7.10-18.00 cd

典型电压 / Voltage (typ.)

3.30 V

典型电流 / Current (typ.)

140 mA

封装 / Package

3.4 x 3.3 x 1.9

发光角度 / View Angle at 50% I_v (typ.)

120°

防潮等级 / Moisture Sensitivity Level

2

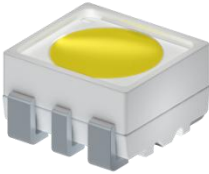
订购型号参考 / Order Number Reference

HVCB-3433EQXA-EAFB-2J8L-1

APT3433: Advanced Power Top 3433 Series

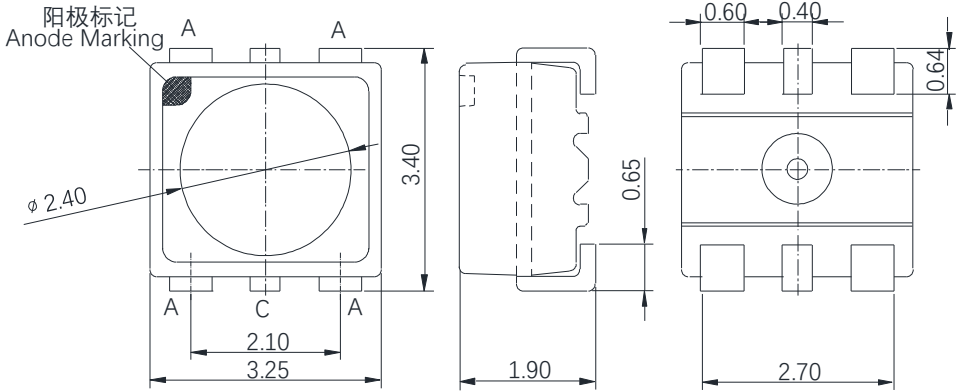
汽车照明、信号灯
(雾灯、日行灯等)

Automobile Lighting and signal lamp
(fog lamp, DRL, etc.)



Packing Unit

1000pcs / Reel



技术资料 / Technical Data

HVCW-3433EES

发光颜色 / Emission Color

Color on demand White

典型色坐标 / Color acc. to CIE 1931 (typ.)

○ 0.33, 0.33 (typ.)

光强 / Intensity

7.10-22.40 cd

典型电压 / Voltage (typ.)

3.30 V

典型电流 / Current (typ.)

140 mA

封装 / Package

3.4 x 3.3 x 1.9

发光角度 / View Angle at 50% I_v (typ.)

120°

防潮等级 / Moisture Sensitivity Level

2

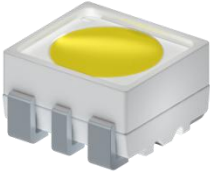
订购型号参考 / Order Number Reference

HVCW-3433EES-EAGA-JKQL-1

APT3433: Advanced Power Top 3433 Series

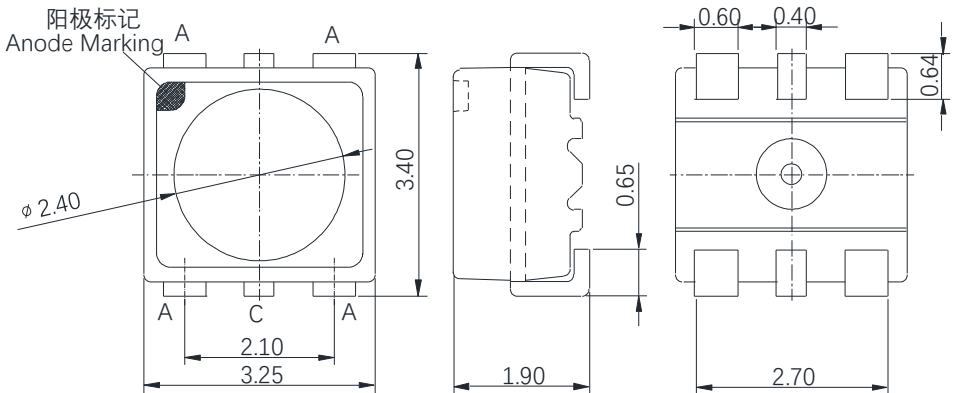
汽车照明、信号灯
(雾灯、日行灯等)


Automobile Lighting and signal lamp
(fog lamp, DRL, etc.)



Packing Unit

1000pcs / Reel



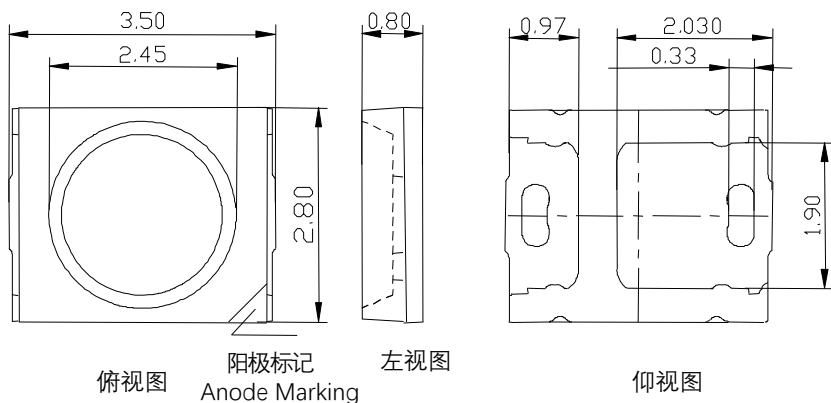
| | |
|--|---|
| 技术资料 / Technical Data | HVCW-3433EQXA |
| 发光颜色 / Emission Color | Color on demand White |
| 典型色坐标 / Color acc. to CIE 1931 (typ.) |  0.33, 0.33 (typ.) |
| 光强 / Intensity | 7.10-22.40 cd |
| 典型电压 / Voltage (typ.) | 3.30 V |
| 典型电流 / Current (typ.) | 140 mA |
| 封装 / Package | 3.4 x 3.3 x 1.9 |
| 发光角度 / View Angle at 50% I _v (typ.) | 120° |
| 防潮等级 / Moisture Sensitivity Level | 2 |
| 订购型号参考 / Order Number Reference | |
| HVCW-3433EQXA-EAGA-JKQL-1 | |

2835 Series



汽车信号灯
(尾灯、制动灯、指示灯)
Automobile signal lamp
(Rear Light, Stop Light, Indicator Light, etc.)

Packing Unit
4000pcs / Reel



技术资料 / Technical Data

HVS-2835FGYA

发光颜色 / Emission Color

Super red

典型色坐标 / Color acc. to CIE 1931 (typ.)

● 627-639 nm

光强 / Intensity

9.0-22.40 cd

典型电压 / Voltage (typ.)

2.45 V

典型电流 / Current (typ.)

350mA

封装 / Package

2.8 x 3.5 x 0.8

发光角度 / View Angle at 50% I_v (typ.)

120°

防潮等级 / Moisture Sensitivity Level

2

订购型号参考 / Order Number Reference

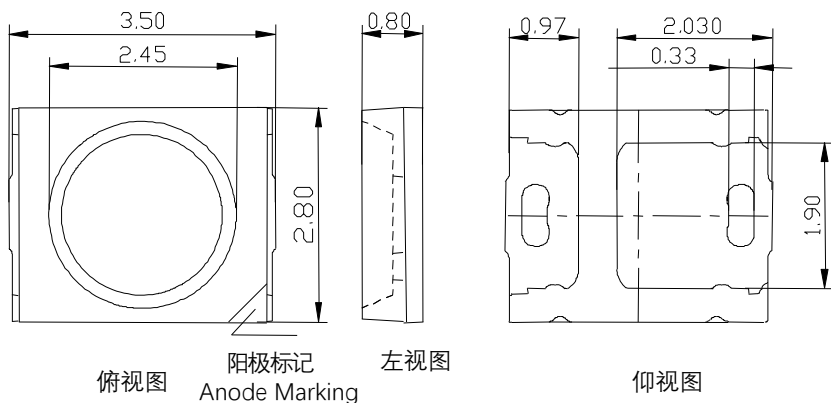
HVS-2835FGYA-EBGA-1-1

2835 Series



汽车信号灯
(尾灯、制动灯、指示灯)
Automobile signal lamp
(Rear Light, Stop Light, Indicator Light, etc.)

Packing Unit
4000pcs / Reel



技术资料 / Technical Data

HVS-2835FSBA

发光颜色 / Emission Color

Super red

典型色坐标 / Color acc. to CIE 1931 (typ.)

● 627-639 nm

光强 / Intensity

11.20-24.00 cd

典型电压 / Voltage (typ.)

2.15 V

典型电流 / Current (typ.)

350mA

封装 / Package

2.8 x 3.5 x 0.8

发光角度 / View Angle at 50% I_v (typ.)

120°

防潮等级 / Moisture Sensitivity Level

2

订购型号参考 / Order Number Reference

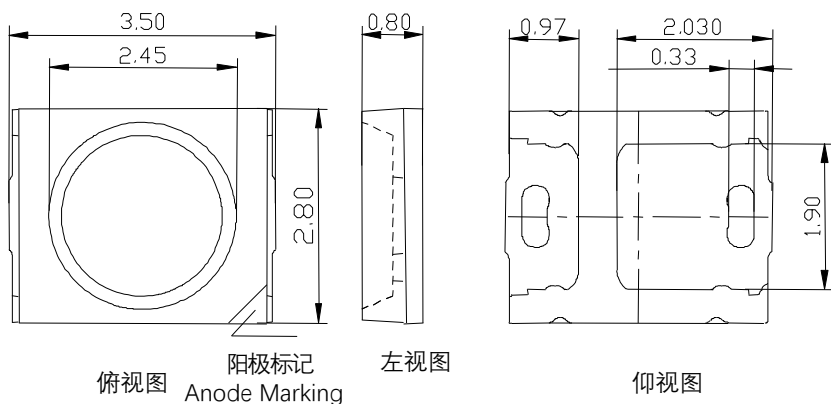
HVS-2835FSBA-EAGB-1-1

2835 Series



汽车信号灯
(尾灯、制动灯、指示灯)
Automobile signal lamp
(Rear Light, Stop Light, Indicator Light, etc.)

Packing Unit
4000pcs / Reel



技术资料 / Technical Data

HVS-2835FQYA

发光颜色 / Emission Color

Super red

典型色坐标 / Color acc. to CIE 1931 (typ.)

● 627-639 nm

光强 / Intensity

4.50-11.20 cd

典型电压 / Voltage (typ.)

2.15 V

典型电流 / Current (typ.)

150mA

封装 / Package

2.8 x 3.5 x 0.8

发光角度 / View Angle at 50% I_v (typ.)

120°

防潮等级 / Moisture Sensitivity Level

2

订购型号参考 / Order Number Reference

HVS-2835FQYA-DAEB-1-1

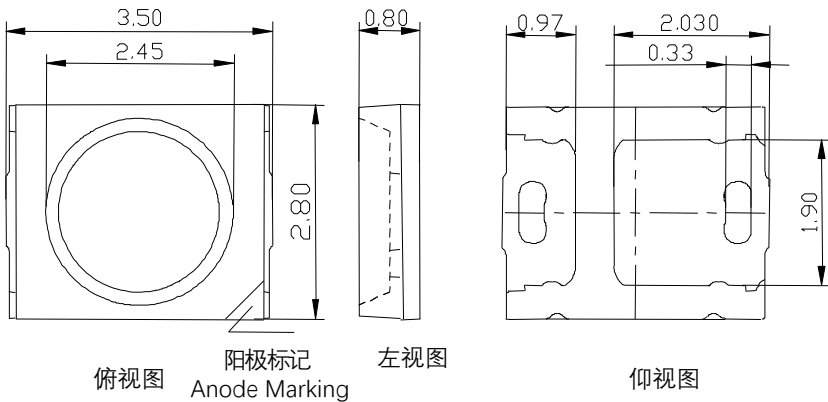
2835 Series



汽车信号灯
(尾灯、制动灯、指示灯)
Automobile signal lamp
(Rear Light, Stop Light, Indicator Light, etc.)

Packing Unit

4000pcs / Reel



技术资料 / Technical Data

HVS-2835FQBA

发光颜色 / Emission Color

Super red

典型色坐标 / Color acc. to CIE 1931 (typ.)

● 627-639 nm

光强 / Intensity

5.60-14.00 cd

典型电压 / Voltage (typ.)

2.15 V

典型电流 / Current (typ.)

200mA

封装 / Package

2.8 x 3.5 x 0.8

发光角度 / View Angle at 50% I_v (typ.)

120°

防潮等级 / Moisture Sensitivity Level

2

订购型号参考 / Order Number Reference

HVS-2835FQBA-DAEA-1-1

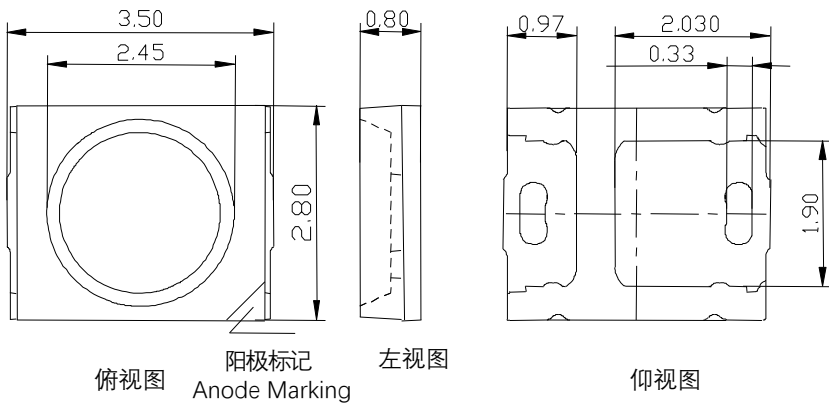
2835 Series



汽车信号灯
(尾灯、制动灯、指示灯)
Automobile signal lamp
(Rear Light, Stop Light, Indicator Light, etc.)

Packing Unit

4000pcs / Reel



技术资料 / Technical Data

HVS-2835FPYA

发光颜色 / Emission Color

Super red

典型色坐标 / Color acc. to CIE 1931 (typ.)

● 627-639 nm

光强 / Intensity

1.40-2.80 cd

典型电压 / Voltage (typ.)

2.20 V

典型电流 / Current (typ.)

60mA

封装 / Package

2.8 x 3.5 x 0.8

发光角度 / View Angle at 50% I_v (typ.)

120°

防潮等级 / Moisture Sensitivity Level

2

订购型号参考 / Order Number Reference

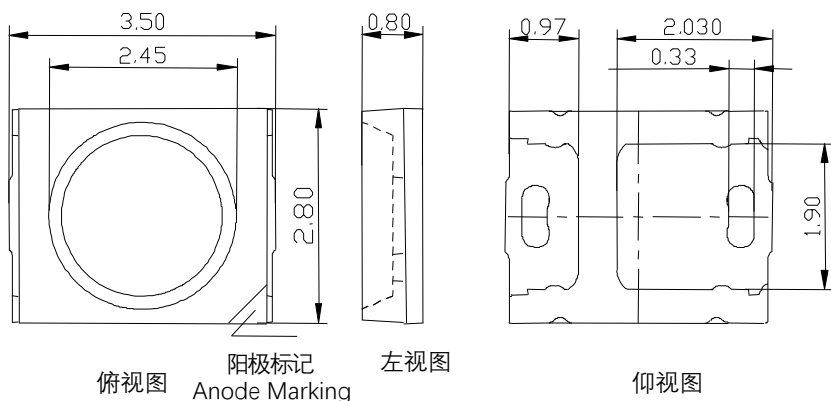
HVS-2835FPYA-ABBB-1-1

2835 Series



汽车信号灯
(尾灯、制动灯、指示灯)
Automobile signal lamp
(Rear Light, Stop Light, Indicator Light, etc.)

Packing Unit
4000pcs / Reel



技术资料 / Technical Data

HVS-2835FPBA

发光颜色 / Emission Color

Super red

典型色坐标 / Color acc. to CIE 1931 (typ.)

● 627-639 nm

光强 / Intensity

1.80-3.20 cd

典型电压 / Voltage (typ.)

2.20 V

典型电流 / Current (typ.)

60mA

封装 / Package

2.8 x 3.5 x 0.8

发光角度 / View Angle at 50% I_v (typ.)

120°

防潮等级 / Moisture Sensitivity Level

2

订购型号参考 / Order Number Reference

HVS-2835FPBA-BACA-1-1

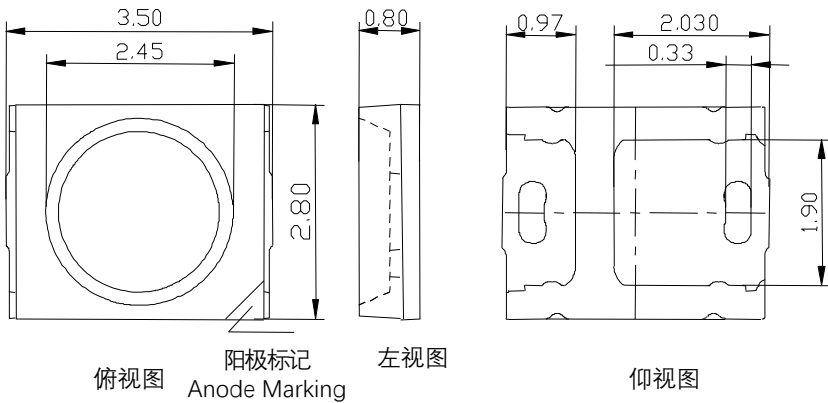
2835 Series



汽车信号灯
(尾灯、制动灯、指示灯)
Automobile signal lamp
(Rear Light, Stop Light, Indicator Light, etc.)

Packing Unit

4000pcs / Reel



技术资料 / Technical Data

HVR-2835FGYA

发光颜色 / Emission Color

Red

典型色坐标 / Color acc. to CIE 1931 (typ.)

● 620-630 nm

光强 / Intensity

11.20-28.00 cd

典型电压 / Voltage (typ.)

2.45 V

典型电流 / Current (typ.)

350mA

封装 / Package

2.8 x 3.5 x 0.8

发光角度 / View Angle at 50% I_v (typ.)

120°

防潮等级 / Moisture Sensitivity Level

2

订购型号参考 / Order Number Reference

HVR-2835FGYA-FAGB-1-1

2835 Series



汽车信号灯

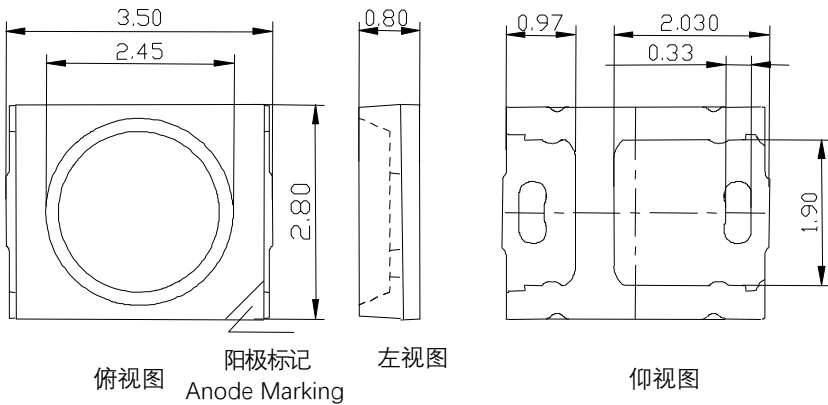
(尾灯、制动灯、指示灯)

Automobile signal lamp

(Rear Light, Stop Light, Indicator Light, etc.)

Packing Unit

4000pcs / Reel



技术资料 / Technical Data

HVR-2835FSBA

发光颜色 / Emission Color

Red

典型色坐标 / Color acc. to CIE 1931 (typ.)

● 620-630 nm

光强 / Intensity

14.00-35.50 cd

典型电压 / Voltage (typ.)

2.35 V

典型电流 / Current (typ.)

350mA

封装 / Package

2.8 x 3.5 x 0.8

发光角度 / View Angle at 50% I_v (typ.)

120°

防潮等级 / Moisture Sensitivity Level

2

订购型号参考 / Order Number Reference

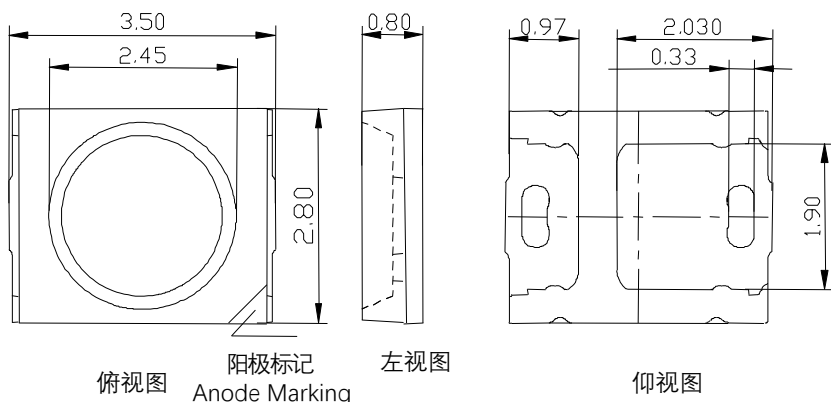
HVR-2835FSBA-FBHA-1-1

2835 Series



汽车信号灯
(尾灯、制动灯、指示灯)
Automobile signal lamp
(Rear Light, Stop Light, Indicator Light, etc.)

Packing Unit
4000pcs / Reel



技术资料 / Technical Data

HVR-2835FQYA

发光颜色 / Emission Color

Red

典型色坐标 / Color acc. to CIE 1931 (typ.)

● 620-629 nm

光强 / Intensity

4.50-11.20 cd

典型电压 / Voltage (typ.)

2.15 V

典型电流 / Current (typ.)

150mA

封装 / Package

2.8 x 3.5 x 0.8

发光角度 / View Angle at 50% I_v (typ.)

120°

防潮等级 / Moisture Sensitivity Level

2

订购型号参考 / Order Number Reference

HVR-2835FQYA-DAEB-1-1

2835 Series



汽车信号灯

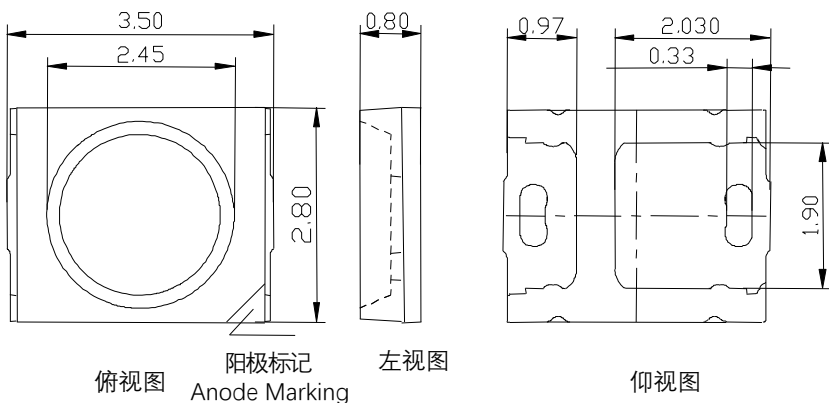
(尾灯、制动灯、指示灯)

Automobile signal lamp

(Rear Light, Stop Light, Indicator Light, etc.)

Packing Unit

4000pcs / Reel



技术资料 / Technical Data

HVR-2835FQBA

发光颜色 / Emission Color

Red

典型色坐标 / Color acc. to CIE 1931 (typ.)

● 619-629 nm

光强 / Intensity

5.60-14.00 cd

典型电压 / Voltage (typ.)

2.15 V

典型电流 / Current (typ.)

200mA

封装 / Package

2.8 x 3.5 x 0.8

发光角度 / View Angle at 50% I_v (typ.)

120°

防潮等级 / Moisture Sensitivity Level

2

订购型号参考 / Order Number Reference

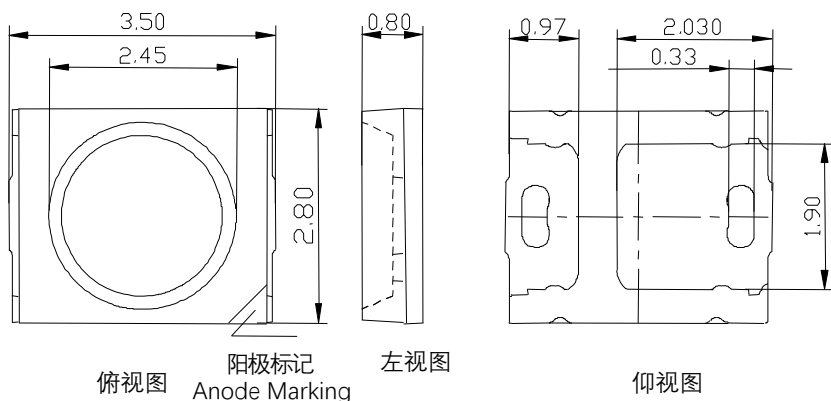
HVR-2835FQBA-DBFA-24-1

2835 Series



汽车信号灯
(尾灯、制动灯、指示灯)
Automobile signal lamp
(Rear Light, Stop Light, Indicator Light, etc.)

Packing Unit
4000pcs / Reel



技术资料 / Technical Data

HVR-2835FPYA

发光颜色 / Emission Color

Red

典型色坐标 / Color acc. to CIE 1931 (typ.)

● 619-629 nm

光强 / Intensity

1.80-4.50 cd

典型电压 / Voltage (typ.)

2.15 V

典型电流 / Current (typ.)

60mA

封装 / Package

2.8 x 3.5 x 0.8

发光角度 / View Angle at 50% I_v (typ.)

120°

防潮等级 / Moisture Sensitivity Level

2

订购型号参考 / Order Number Reference

HVR-2835FPYA-BACB-1-1

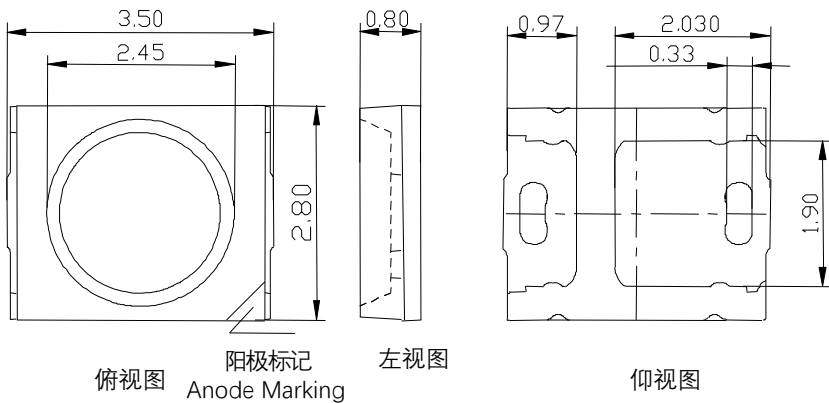
2835 Series



汽车信号灯
(尾灯、制动灯、指示灯)
Automobile signal lamp
(Rear Light, Stop Light, Indicator Light, etc.)

Packing Unit

4000pcs / Reel



技术资料 / Technical Data

HVA-2835FGYA

发光颜色 / Emission Color

Amber

典型色坐标 / Color acc. to CIE 1931 (typ.)

● 612-624 nm

光强 / Intensity

11.20-28.00 cd

典型电压 / Voltage (typ.)

2.45 V

典型电流 / Current (typ.)

350mA

封装 / Package

2.8 x 3.5 x 0.8

发光角度 / View Angle at 50% I_v (typ.)

120°

防潮等级 / Moisture Sensitivity Level

2

订购型号参考 / Order Number Reference

HVA-2835FGYA-FAGB-24-1

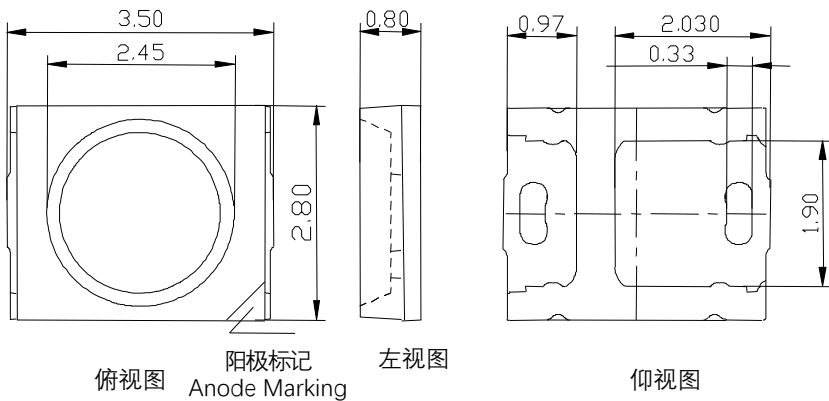
2835 Series



汽车信号灯
(尾灯、制动灯、指示灯)
Automobile signal lamp
(Rear Light, Stop Light, Indicator Light, etc.)

Packing Unit

4000pcs / Reel



技术资料 / Technical Data

HVA-2835FSBA

发光颜色 / Emission Color

Amber

典型色坐标 / Color acc. to CIE 1931 (typ.)

● 612-624 nm

光强 / Intensity

14.00-35.50 cd

典型电压 / Voltage (typ.)

2.15 V

典型电流 / Current (typ.)

350mA

封装 / Package

2.8 x 3.5 x 0.8

发光角度 / View Angle at 50% I_v (typ.)

120°

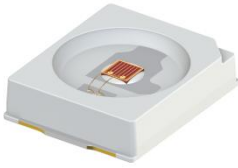
防潮等级 / Moisture Sensitivity Level

2

订购型号参考 / Order Number Reference

HVA-2835FSBA-FBHA-24-1

2835 Series



汽车信号灯

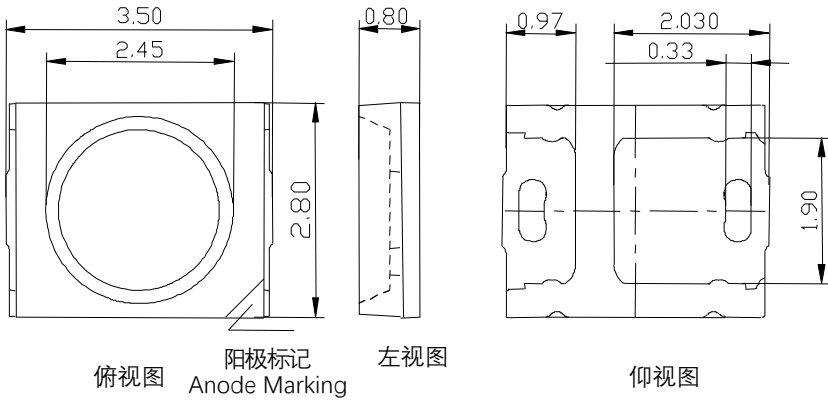
(尾灯、制动灯、指示灯)

Automobile signal lamp

(Rear Light, Stop Light, Indicator Light, etc.)

Packing Unit

4000pcs / Reel



技术资料 / Technical Data

HVA-2835FQYA

发光颜色 / Emission Color

Amber

典型色坐标 / Color acc. to CIE 1931 (typ.)

● 612-624 nm

光强 / Intensity

4.50-11.20 cd

典型电压 / Voltage (typ.)

2.15 V

典型电流 / Current (typ.)

150mA

封装 / Package

2.8 x 3.5 x 0.8

发光角度 / View Angle at 50% I_v (typ.)

120°

防潮等级 / Moisture Sensitivity Level

2

订购型号参考 / Order Number Reference

HVA-2835FQYA-DAEB-24-1

2835 Series



汽车信号灯

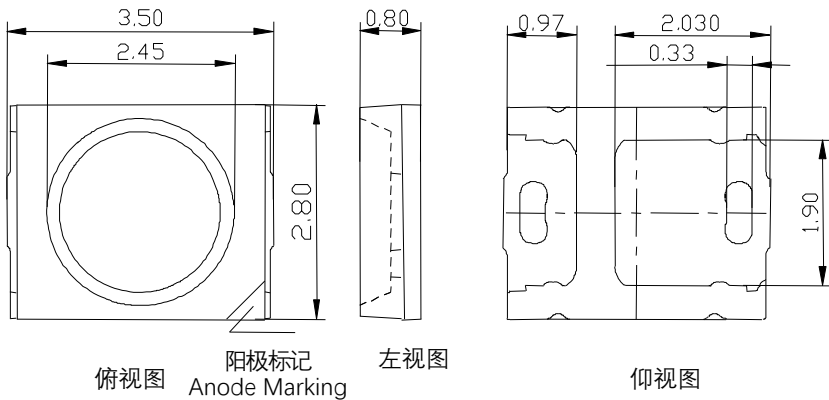
(尾灯、制动灯、指示灯)

Automobile signal lamp

(Rear Light, Stop Light, Indicator Light, etc.)

Packing Unit

4000pcs / Reel



技术资料 / Technical Data

HVA-2835FQBA

发光颜色 / Emission Color

Amber

典型色坐标 / Color acc. to CIE 1931 (typ.)

● 612-624 nm

光强 / Intensity

5.60-14.00 cd

典型电压 / Voltage (typ.)

2.15 V

典型电流 / Current (typ.)

200mA

封装 / Package

2.8 x 3.5 x 0.8

发光角度 / View Angle at 50% I_v (typ.)

120°

防潮等级 / Moisture Sensitivity Level

2

订购型号参考 / Order Number Reference

HVA-2835FQBA-DBFA-24-1

2835 Series



汽车信号灯

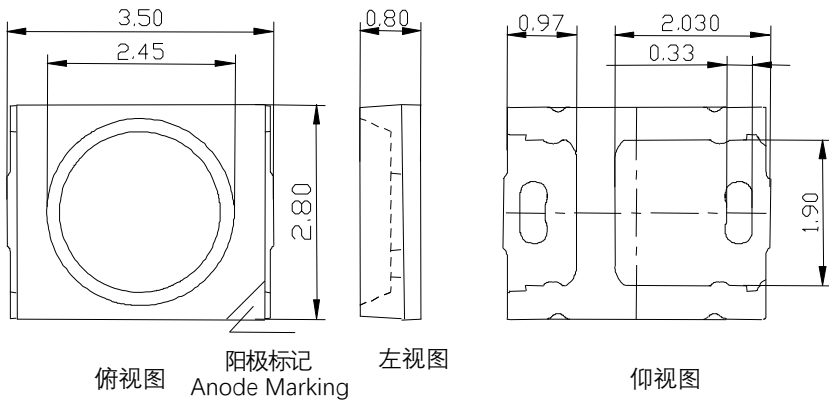
(尾灯、制动灯、指示灯)

Automobile signal lamp

(Rear Light, Stop Light, Indicator Light, etc.)

Packing Unit

4000pcs / Reel



技术资料 / Technical Data

HVA-2835FPYA

发光颜色 / Emission Color

Amber

典型色坐标 / Color acc. to CIE 1931 (typ.)

● 612-624 nm

光强 / Intensity

1.80-4.50 cd

典型电压 / Voltage (typ.)

2.15 V

典型电流 / Current (typ.)

60mA

封装 / Package

2.8 x 3.5 x 0.8

发光角度 / View Angle at 50% I_v (typ.)

120°

防潮等级 / Moisture Sensitivity Level

2

订购型号参考 / Order Number Reference

HVA-2835FPYA-BACB-24-1

2835 Series



汽车信号灯

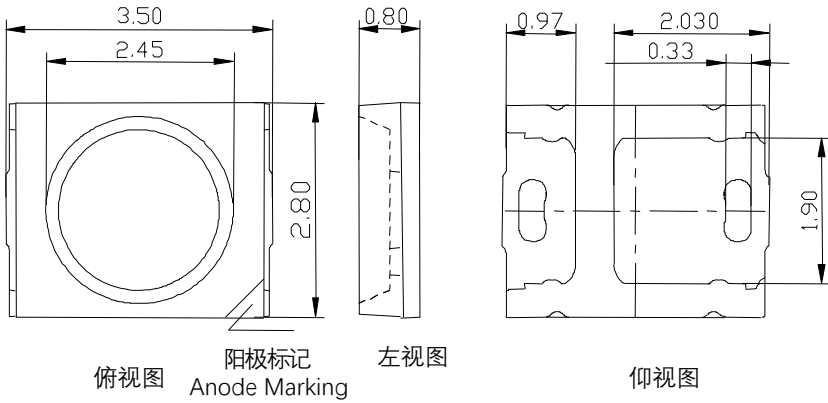
(转向灯、指示灯等)

Automobile signal lamp

(Turn Lamp, Indicator Light, etc.)

Packing Unit

4000pcs / Reel




技术资料 / Technical Data

HVY-2835FGYA

发光颜色 / Emission Color

Yellow

典型色坐标 / Color acc. to CIE 1931 (typ.)

 583-595 nm

光强 / Intensity

9.00-22.40 cd

典型电压 / Voltage (typ.)

2.45V

典型电流 / Current (typ.)

350mA

封装 / Package

2.8 x 3.5 x 0.8

发光角度 / View Angle at 50% I_v (typ.)

120°

防潮等级 / Moisture Sensitivity Level

2

订购型号参考 / Order Number Reference

HVY-2835FGYA-EBGA-36-1

2835 Series



汽车信号灯

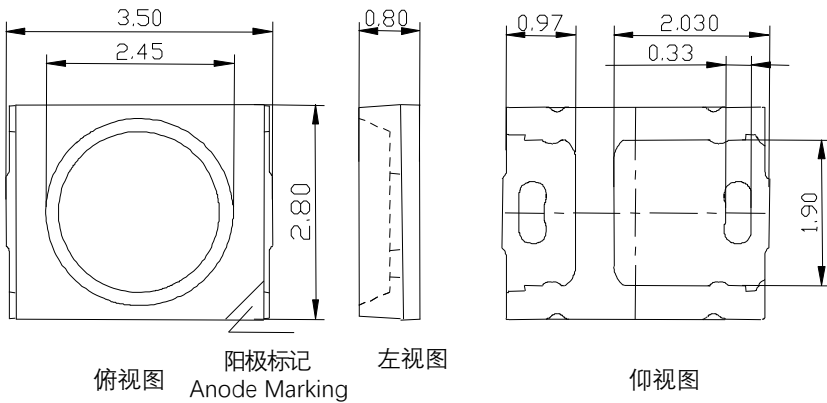
(转向灯、指示灯等)

Automobile signal lamp

(Turn Lmap, Indicator Light, etc.)

Packing Unit

4000pcs / Reel




技术资料 / Technical Data

HVY-2835FGBA

发光颜色 / Emission Color

Yellow

典型色坐标 / Color acc. to CIE 1931 (typ.)

 583-595 nm

光强 / Intensity

11.20-28.00 cd

典型电压 / Voltage (typ.)

2.45V

典型电流 / Current (typ.)

350mA

封装 / Package

2.8 x 3.5 x 0.8

发光角度 / View Angle at 50% I_v (typ.)

120°

防潮等级 / Moisture Sensitivity Level

2

订购型号参考 / Order Number Reference

HVY-2835FGBA-FAGB-36-1

2835 Series



汽车信号灯

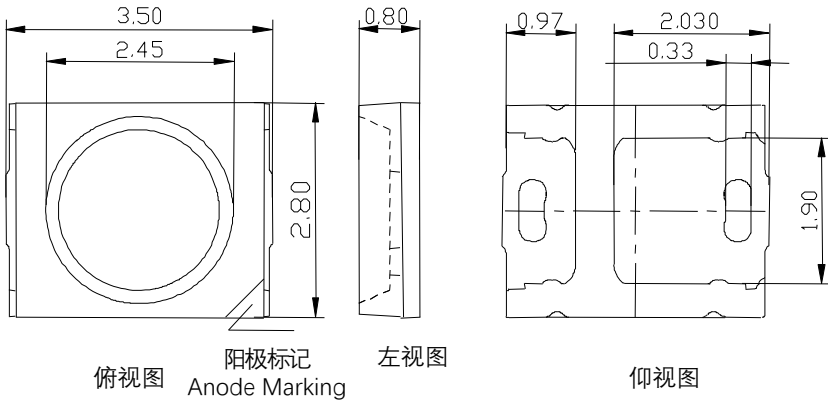
(转向灯、指示灯等)

Automobile signal lamp

(Turn Lamp, Indicator Light, etc.)

Packing Unit

4000pcs / Reel




技术资料 / Technical Data

HVY-2835FQYA

发光颜色 / Emission Color

Yellow

典型色坐标 / Color acc. to CIE 1931 (typ.)

 583-595 nm

光强 / Intensity

4.50-11.20 cd

典型电压 / Voltage (typ.)

2.15V

典型电流 / Current (typ.)

150mA

封装 / Package

2.8 x 3.5 x 0.8

发光角度 / View Angle at 50% I_v (typ.)

120°

防潮等级 / Moisture Sensitivity Level

2

订购型号参考 / Order Number Reference

HVY-2835FQYA-DAEB-36-1

2835 Series



汽车信号灯

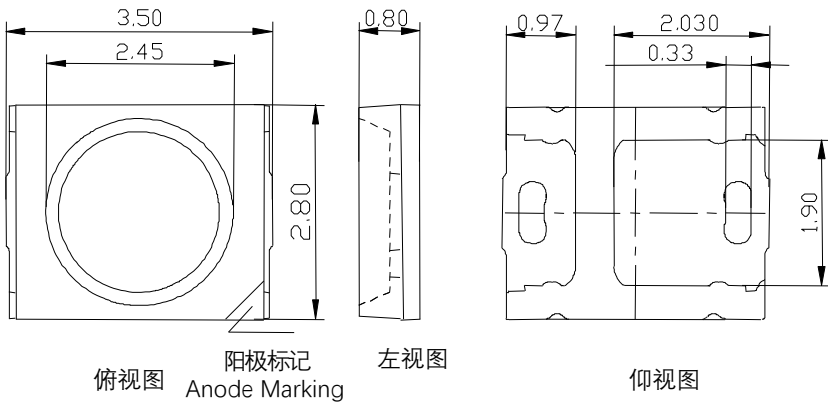
(转向灯、指示灯等)

Automobile signal lamp

(Turn Lamp, Indicator Light, etc.)

Packing Unit

4000pcs / Reel




技术资料 / Technical Data

HVY-2835FQBA

发光颜色 / Emission Color

Yellow

典型色坐标 / Color acc. to CIE 1931 (typ.)

 583-595 nm

光强 / Intensity

5.60-14.00 cd

典型电压 / Voltage (typ.)

2.15V

典型电流 / Current (typ.)

200mA

封装 / Package

2.8 x 3.5 x 0.8

发光角度 / View Angle at 50% I_v (typ.)

120°

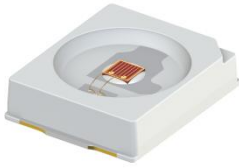
防潮等级 / Moisture Sensitivity Level

2

订购型号参考 / Order Number Reference

HVY-2835FQBA-DBFA-36-1

2835 Series



汽车信号灯

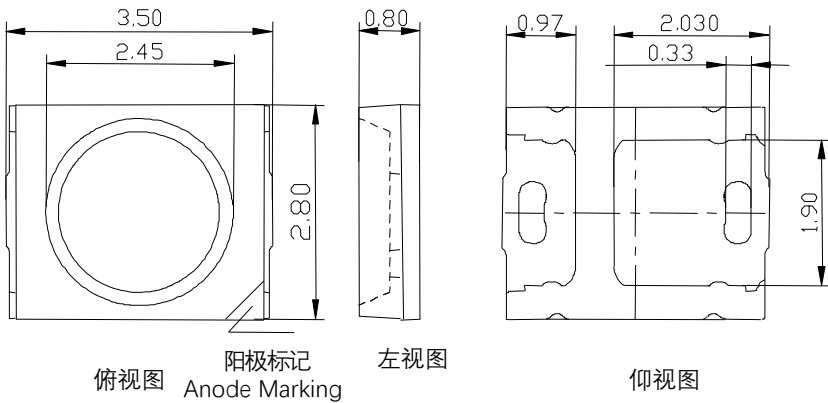
(转向灯、指示灯等)

Automobile signal lamp

(Turn Lamp, Indicator Light, etc.)

Packing Unit

4000pcs / Reel



| 技术资料 / Technical Data | HVY-2835FPYA |
|--|-----------------|
| 发光颜色 / Emission Color | Yellow |
| 典型色坐标 / Color acc. to CIE 1931 (typ.) | ● 583-595 nm |
| 光强 / Intensity | 1.80-4.50 cd |
| 典型电压 / Voltage (typ.) | 2.15V |
| 典型电流 / Current (typ.) | 60mA |
| 封装 / Package | 2.8 x 3.5 x 0.8 |
| 发光角度 / View Angle at 50% Iv (typ.) | 120° |
| 防潮等级 / Moisture Sensitivity Level | 2 |
| 订购型号参考 / Order Number Reference | |
| HVY-2835FPYA-BACB-36-1 | |

2835 Series



汽车信号灯

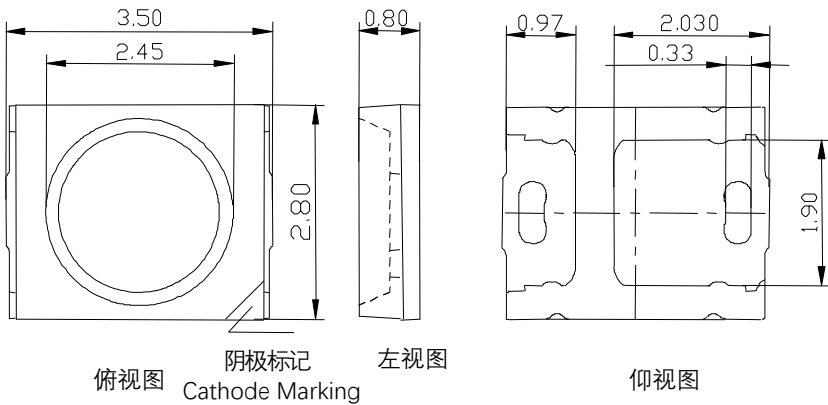
(尾灯、制动灯、指示灯)

Automobile signal lamp

(Rear Light, Stop Light, Indicator Light, etc.)

Packing Unit

4000pcs / Reel




技术资料 / Technical Data

HVT-2835FQY

发光颜色 / Emission Color

Turn Green

典型色坐标 / Color acc. to CIE 1931 (typ.)

 513-543 nm

光强 / Intensity

4.50-11.20cd

典型电压 / Voltage (typ.)

2.70V

典型电流 / Current (typ.)

150mA

封装 / Package

2.8 x 3.5 x 0.8

发光角度 / View Angle at 50% I_v (typ.)

120°

防潮等级 / Moisture Sensitivity Level

2

订购型号参考 / Order Number Reference

HVT-2835FQY-DAEB-26-1

2835 Series



汽车信号灯

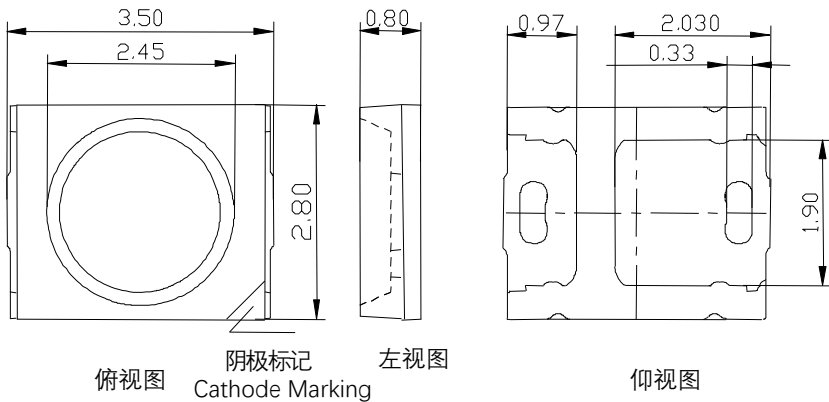
(尾灯、制动灯、指示灯)

Automobile signal lamp

(Rear Light, Stop Light, Indicator Light, etc.)

Packing Unit

4000pcs / Reel




技术资料 / Technical Data

HVT-2835FPY

发光颜色 / Emission Color

Turn Green

典型色坐标 / Color acc. to CIE 1931 (typ.)

 516-540 nm

光强 / Intensity

1.12-2.80cd

典型电压 / Voltage (typ.)

2.70V

典型电流 / Current (typ.)

30mA

封装 / Package

2.8 x 3.5 x 0.8

发光角度 / View Angle at 50% I_v (typ.)

120°

防潮等级 / Moisture Sensitivity Level

2

订购型号参考 / Order Number Reference

HVT-2538FPY-AABB-36-1

2835 Series



汽车信号灯

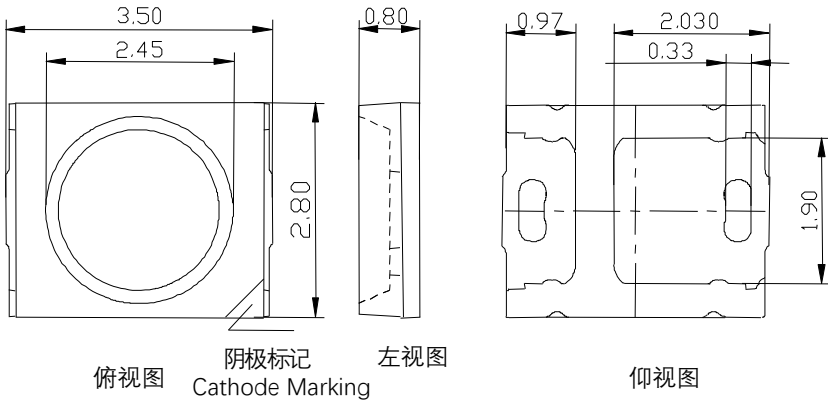
(尾灯、制动灯、指示灯)

Automobile signal lamp

(Rear Light, Stop Light, Indicator Light, etc.)

Packing Unit

4000pcs / Reel



技术资料 / Technical Data

HVB-2835FQY

发光颜色 / Emission Color

Blue

典型色坐标 / Color acc. to CIE 1931 (typ.)

● 460-476 nm

光强 / Intensity

1.80-4.50 cd

典型电压 / Voltage (typ.)

3.32V

典型电流 / Current (typ.)

150mA

封装 / Package

2.8 x 3.5 x 0.8

发光角度 / View Angle at 50% I_v (typ.)

120°

防潮等级 / Moisture Sensitivity Level

2

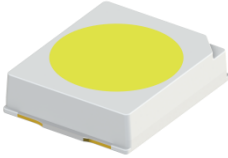
订购型号参考 / Order Number Reference

HVB-2835FQY-BACB-25-1

2835 Series

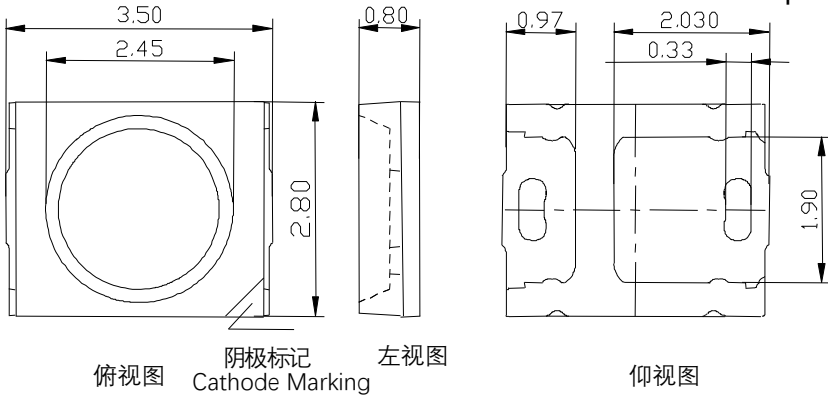
汽车照明、信号灯
(雾灯、日行灯等)

Automobile Lighting and signal lamp
(fog lamp, DRL, etc.)



Packing Unit

4000pcs / Reel



技术资料 / Technical Data

HVCW-2835FSY

发光颜色 / Emission Color

Color on demand White

典型色坐标 / Color acc. to CIE 1931 (typ.)

○ 0.33,0.33

光强 / Intensity

14.00- 45.00 cd

典型电压 / Voltage (typ.)

3.15 V

典型电流 / Current (typ.)

350mA

封装 / Package

2.8 x 3.5 x 0.8

发光角度 / View Angle at 50% Iv (typ.)

120°

防潮等级 / Moisture Sensitivity Level

2

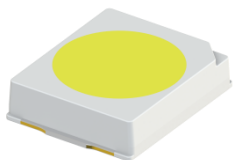
订购型号参考 / Order Number Reference

HVCW-2835FSY-FBHB-JKQL-1

2835 Series

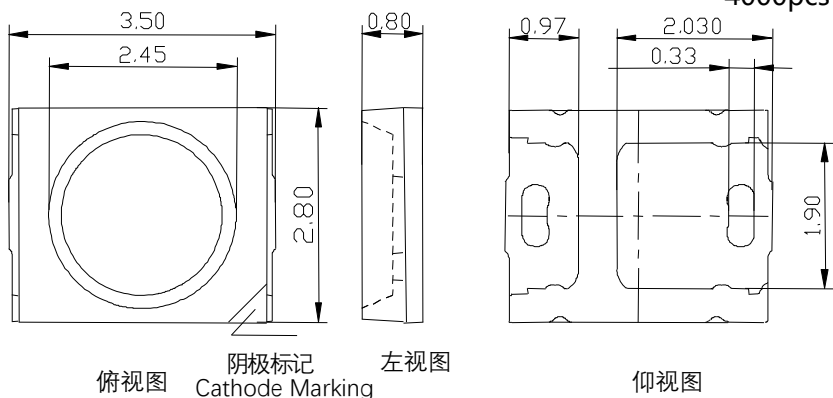
汽车照明、信号灯
(雾灯、日行灯等)

Automobile Lighting and signal lamp
(fog lamp, DRL, etc.)



Packing Unit

4000pcs / Reel

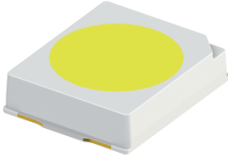


| 技术资料 / Technical Data | HVCW-2835FQY |
|---------------------------------------|-----------------------|
| 发光颜色 / Emission Color | Color on demand White |
| 典型色坐标 / Color acc. to CIE 1931 (typ.) | ○ 0.33,0.33 |
| 光强 / Intensity | 11.20- 28.00 cd |
| 典型电压 / Voltage (typ.) | 3.15 V |
| 典型电流 / Current (typ.) | 150mA |
| 封装 / Package | 2.8 x 3.5 x 0.8 |
| 发光角度 / View Angle at 50% Iv (typ.) | 120° |
| 防潮等级 / Moisture Sensitivity Level | 2 |
| 订购型号参考 / Order Number Reference | |
| HVCW-2835FQY-FAGB-IJSK-1 | |

2835 Series

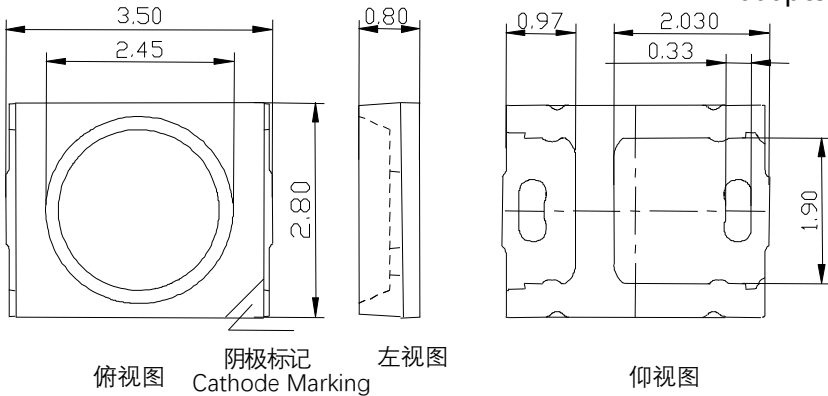
汽车照明、信号灯
(雾灯、日行灯等)

Automobile Lighting and signal lamp
(fog lamp, DRL, etc.)



Packing Unit

4000pcs / Reel



技术资料 / Technical Data

HVCW-2835FPY

发光颜色 / Emission Color

Color on demand White

典型色坐标 / Color acc. to CIE 1931 (typ.)

○ 0.33,0.33

光强 / Intensity

3.55- 14.00 cd

典型电压 / Voltage (typ.)

3.10 V

典型电流 / Current (typ.)

60mA

封装 / Package

2.8 x 3.5 x 0.8

发光角度 / View Angle at 50% I_v (typ.)

120°

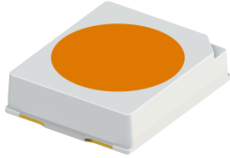
防潮等级 / Moisture Sensitivity Level

2

订购型号参考 / Order Number Reference

HVCW-2835FPY-CBFA-FK0PN01

2835 Series



汽车信号灯

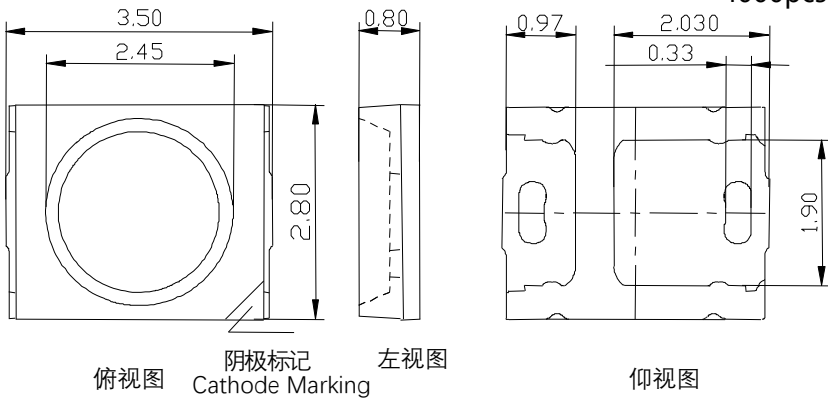
(尾灯、制动灯、指示灯)

Automobile signal lamp

(Rear Light, Stop Light, Indicator Light, etc.)

Packing Unit

4000pcs / Reel




技术资料 / Technical Data

HVCY-2835FSY

发光颜色 / Emission Color

Color on demand Yellow

典型色坐标 / Color acc. to CIE 1931 (typ.)

 0.57,0.42

光强 / Intensity

18.00- 45.00 cd

典型电压 / Voltage (typ.)

3.18 V

典型电流 / Current (typ.)

350mA

封装 / Package

2.8 x 3.5 x 0.8

发光角度 / View Angle at 50% I_v (typ.)

120°

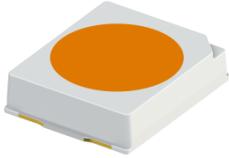
防潮等级 / Moisture Sensitivity Level

2

订购型号参考 / Order Number Reference

HVCY-2835FSY-GAHB-5E-1

2835 Series



汽车信号灯

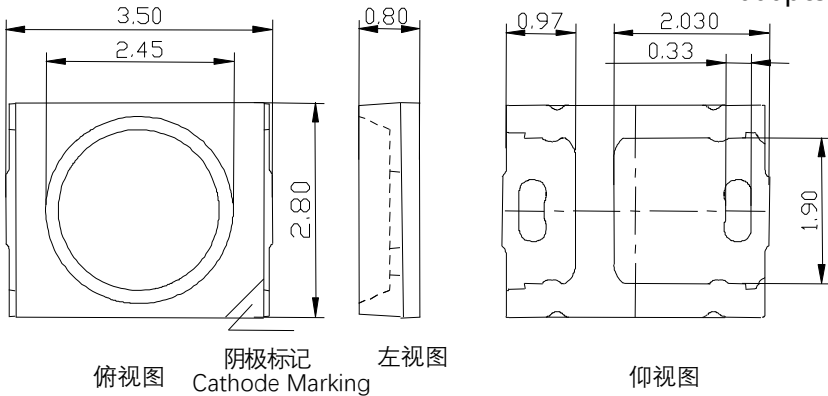
(尾灯、制动灯、指示灯)

Automobile signal lamp

(Rear Light, Stop Light, Indicator Light, etc.)

Packing Unit

4000pcs / Reel




技术资料 / Technical Data

HVCY-2835FQY

发光颜色 / Emission Color

Color on demand Yellow

典型色坐标 / Color acc. to CIE 1931 (typ.)

 0.57,0.42

光强 / Intensity

9.00- 22.40 cd

典型电压 / Voltage (typ.)

3.15 V

典型电流 / Current (typ.)

150mA

封装 / Package

2.8 x 3.5 x 0.8

发光角度 / View Angle at 50% I_v (typ.)

120°

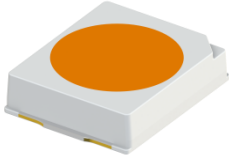
防潮等级 / Moisture Sensitivity Level

2

订购型号参考 / Order Number Reference

HVCY-2835FQY-EBGA-5E-1

2835 Series



汽车信号灯

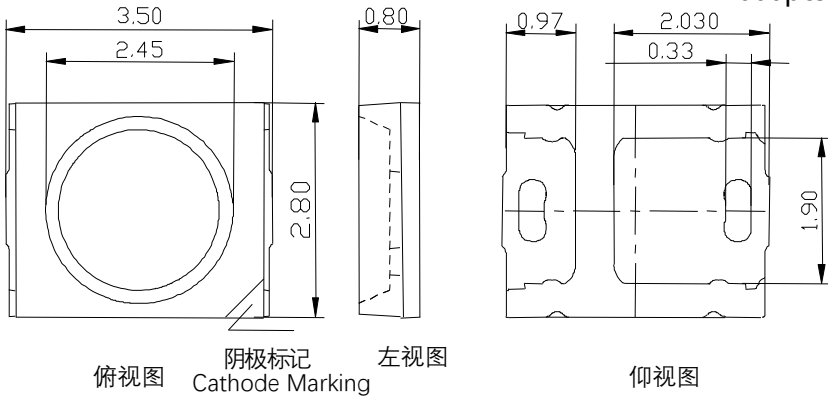
(尾灯、制动灯、指示灯)

Automobile signal lamp

(Rear Light, Stop Light, Indicator Light, etc.)

Packing Unit

4000pcs / Reel




技术资料 / Technical Data

HVCY-2835FPY

发光颜色 / Emission Color

Color on demand Yellow

典型色坐标 / Color acc. to CIE 1931 (typ.)

 0.57,0.42

光强 / Intensity

2.80- 9.00 cd

典型电压 / Voltage (typ.)

3.00 V

典型电流 / Current (typ.)

60mA

封装 / Package

2.8 x 3.5 x 0.8

发光角度 / View Angle at 50% Iv (typ.)

120°

防潮等级 / Moisture Sensitivity Level

2

订购型号参考 / Order Number Reference

HVCY-2835FPY-CAEB-5E-1

EMC:Epoxy Molding Compound 2720 Series

汽车信号灯

(尾灯、制动灯、指示灯)

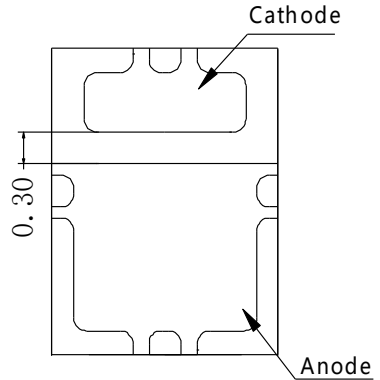
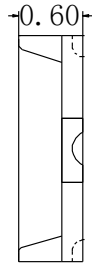
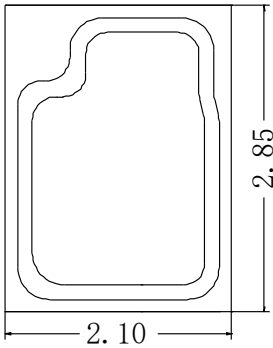
Automobile signal lamp

(Rear Light, Stop Light, Indicator Light, etc.)



Packing Unit

2000 pcs / Reel



技术资料 / Technical Data

HVS-2720JQB.200

发光颜色 / Emission Color

Super Red

主波长 / Dominant Wavelength

● 627 – 639 nm

光通量 / Luminous Flux

21 lm – 61 lm

典型电压 / Voltage (typ.)

2.20 V

典型电流 / Current (typ.)

200 mA

封装 / Package

2.85 x 2.1 x 0.6

发光角度 / View Angle at 50% I_v (typ.)

120°

湿气等级 / Moisture Sensitivity Level

2

订购型号参考 / Order Number Reference

HVS-2720JQB.200-GYJY-1-1

EMC:Epoxy Molding Compound 2720 Series

汽车信号灯

(尾灯、制动灯、指示灯)

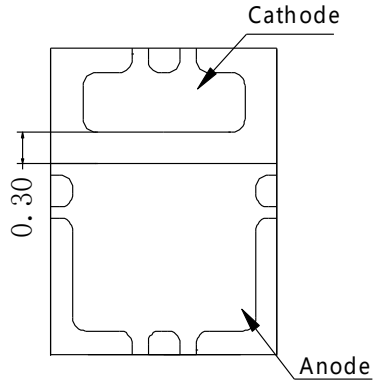
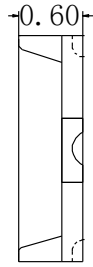
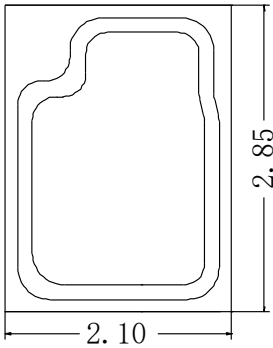
Automobile signal lamp

(Rear Light, Stop Light, Indicator Light, etc.)



Packing Unit

2000 pcs / Reel



| 技术资料 / Technical Data | HVS-2720JSB.350 |
|--|------------------|
| 发光颜色 / Emission Color | Super Red |
| 主波长 / Dominant Wavelength | ● 627 – 639 nm |
| 光通量 / Luminous Flux | 39 lm – 82 lm |
| 典型电压 / Voltage (typ.) | 2.35 V |
| 典型电流 / Current (typ.) | 350 mA |
| 封装 / Package | 2.85 x 2.1 x 0.6 |
| 发光角度 / View Angle at 50% I _v (typ.) | 120° |
| 湿气等级 / Moisture Sensitivity Level | 2 |
| 订购型号参考 / Order Number Reference | |
| HVS-2720JSB.350-HZKX-1-1 | |

EMC:Epoxy Molding Compound 2720 Series

汽车信号灯

(尾灯、制动灯、指示灯)

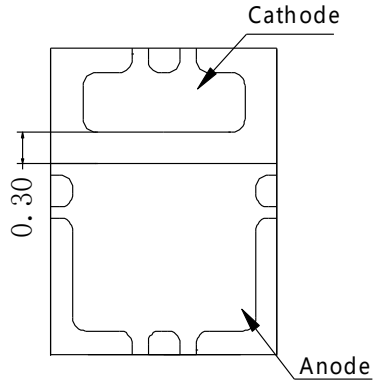
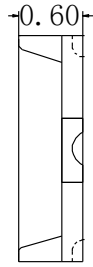
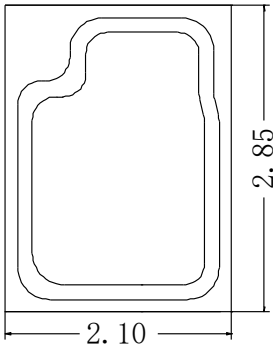
Automobile signal lamp

(Rear Light, Stop Light, Indicator Light, etc.)



Packing Unit

2000 pcs / Reel



技术资料 / Technical Data

HVS-2720JHB.700

发光颜色 / Emission Color

Super Red

主波长 / Dominant Wavelength

● 627 – 639 nm

光通量 / Luminous Flux

71 lm – 180 lm

典型电压 / Voltage (typ.)

2.50 V

典型电流 / Current (typ.)

700 mA

封装 / Package

2.85 x 2.1 x 0.6

发光角度 / View Angle at 50% I_v (typ.)

120°

湿气等级 / Moisture Sensitivity Level

2

订购型号参考 / Order Number Reference

HVS-2720JHB.700-5K8L-1-1

EMC:Epoxy Molding Compound 2720 Series

汽车信号灯

(尾灯、制动灯、指示灯)

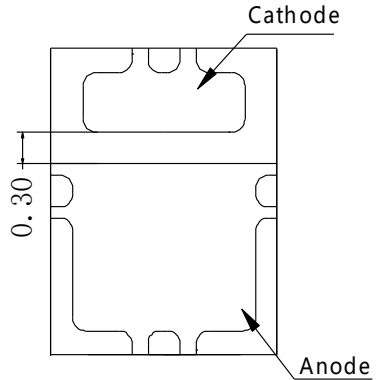
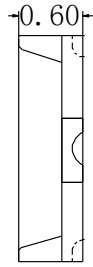
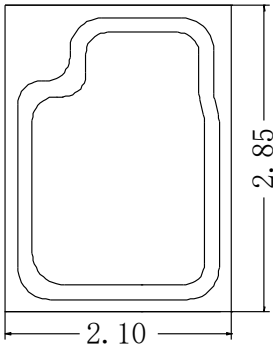
Automobile signal lamp

(Rear Light, Stop Light, Indicator Light, etc.)



Packing Unit

2000 pcs / Reel



技术资料 / Technical Data

HVR-2720JQB.200

发光颜色 / Emission Color

Red

主波长 / Dominant Wavelength

● 612 – 630 nm

光通量 / Luminous Flux

21 lm – 61 lm

典型电压 / Voltage (typ.)

2.20 V

典型电流 / Current (typ.)

200 mA

封装 / Package

2.85 x 2.1 x 0.6

发光角度 / View Angle at 50% I_v (typ.)

120°

湿气等级 / Moisture Sensitivity Level

2

订购型号参考 / Order Number Reference

HVR-2720JQB.200-GYJY-24-1

EMC:Epoxy Molding Compound 2720 Series

汽车信号灯

(尾灯、制动灯、指示灯)

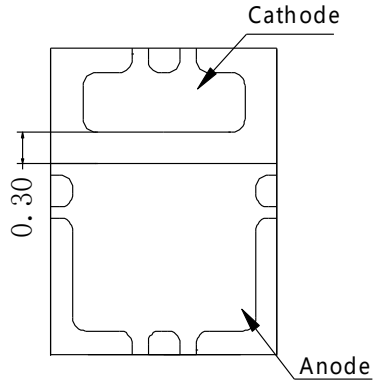
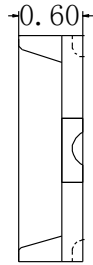
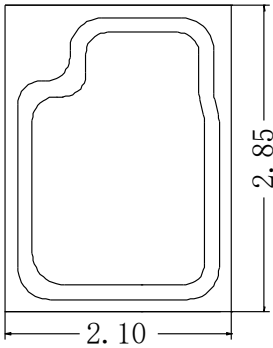
Automobile signal lamp

(Rear Light, Stop Light, Indicator Light, etc.)



Packing Unit

2000 pcs / Reel



技术资料 / Technical Data

HVR-2720JSB.350

发光颜色 / Emission Color

Red

主波长 / Dominant Wavelength

● 612 – 630 nm

光通量 / Luminous Flux

61 lm – 112 lm

典型电压 / Voltage (typ.)

2.35 V

典型电流 / Current (typ.)

350 mA

封装 / Package

2.85 x 2.1 x 0.6

发光角度 / View Angle at 50% I_v (typ.)

120°

湿气等级 / Moisture Sensitivity Level

2

订购型号参考 / Order Number Reference

HVR-2720JSB.350-JYKZ-24-1

EMC:Epoxy Molding Compound 2720 Series

汽车信号灯

(尾灯、制动灯、指示灯)

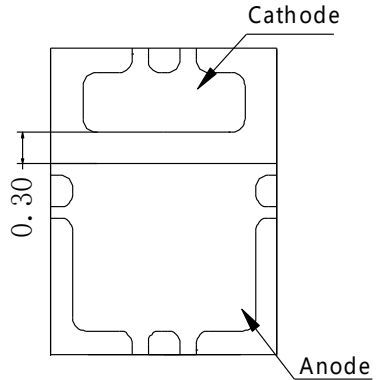
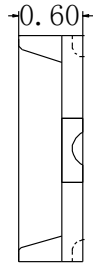
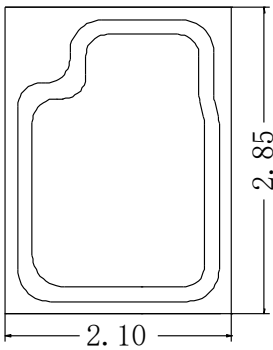
Automobile signal lamp

(Rear Light, Stop Light, Indicator Light, etc.)



Packing Unit

2000 pcs / Reel



技术资料 / Technical Data

HVR-2720JHB.700

发光颜色 / Emission Color

Red

主波长 / Dominant Wavelength

● 612 – 630 nm

光通量 / Luminous Flux

71 lm – 180 lm

典型电压 / Voltage (typ.)

2.50 V

典型电流 / Current (typ.)

700 mA

封装 / Package

2.85 x 2.1 x 0.6

发光角度 / View Angle at 50% I_v (typ.)

120°

湿气等级 / Moisture Sensitivity Level

2

订购型号参考 / Order Number Reference

HVR-2720JHB.700-5K8L-24-1

EMC:Epoxy Molding Compound 2720 Series

汽车信号灯

(尾灯、制动灯、指示灯)

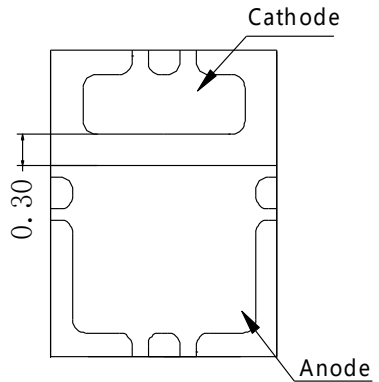
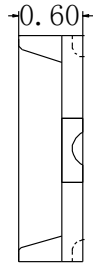
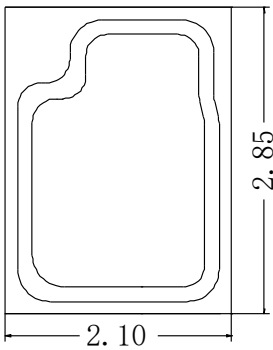
Automobile signal lamp

(Rear Light, Stop Light, Indicator Light, etc.)



Packing Unit

2000 pcs / Reel



技术资料 / Technical Data

HVA-2720JQB.30

发光颜色 / Emission Color

Amber

主波长 / Dominant Wavelength

● 612 – 624 nm

光通量 / Luminous Flux

3.9 lm – 8.2 lm

典型电压 / Voltage (typ.)

2.20 V

典型电流 / Current (typ.)

30 mA

封装 / Package

2.85 x 2.1 x 0.6

发光角度 / View Angle at 50% I_v (typ.)

120°

湿气等级 / Moisture Sensitivity Level

2

订购型号参考 / Order Number Reference

HVA-2720JQB.30-CZEX-24-1

EMC:Epoxy Molding Compound 2720 Series

汽车信号灯

(尾灯、制动灯、指示灯)

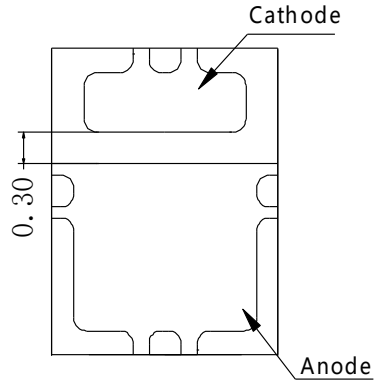
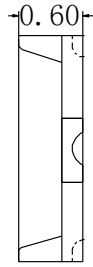
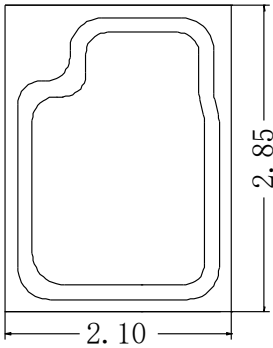
Automobile signal lamp

(Rear Light, Stop Light, Indicator Light, etc.)



Packing Unit

2000 pcs / Reel



技术资料 / Technical Data

HVA-2720JQB.200

发光颜色 / Emission Color

Amber

主波长 / Dominant Wavelength

● 612 – 624 nm

光通量 / Luminous Flux

21 lm – 61 lm

典型电压 / Voltage (typ.)

2.20 V

典型电流 / Current (typ.)

200 mA

封装 / Package

2.85 x 2.1 x 0.6

发光角度 / View Angle at 50% I_v (typ.)

120°

湿气等级 / Moisture Sensitivity Level

2

订购型号参考 / Order Number Reference

HVA-2720JQB.200-GYJY-24-1

EMC:Epoxy Molding Compound 2720 Series

汽车信号灯

(尾灯、制动灯、指示灯)

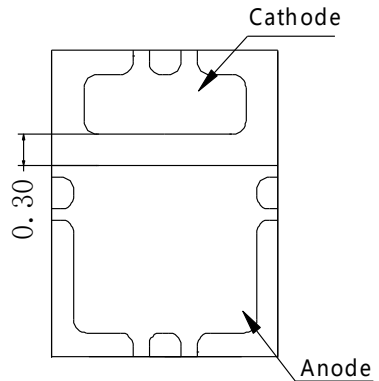
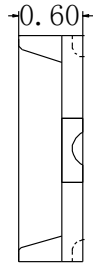
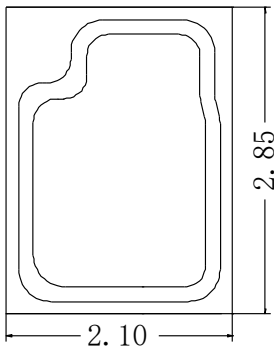
Automobile signal lamp

(Rear Light, Stop Light, Indicator Light, etc.)



Packing Unit

2000 pcs / Reel



技术资料 / Technical Data

HVA-2720JSB.350

发光颜色 / Emission Color

Amber

主波长 / Dominant Wavelength

● 612 – 624 nm

光通量 / Luminous Flux

45 lm – 112 lm

典型电压 / Voltage (typ.)

2.35 V

典型电流 / Current (typ.)

350 mA

封装 / Package

2.85 x 2.1 x 0.6

发光角度 / View Angle at 50% I_v (typ.)

120°

湿气等级 / Moisture Sensitivity Level

2

订购型号参考 / Order Number Reference

HVA-2720JQB.350-JYKZ-24-1

EMC:Epoxy Molding Compound 2720 Series

汽车信号灯

(尾灯、制动灯、指示灯)

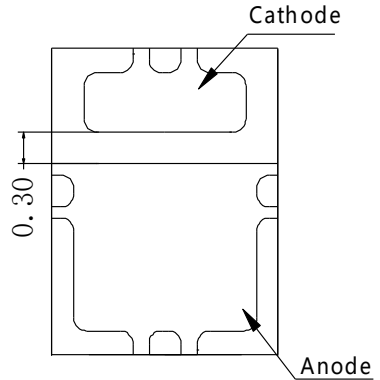
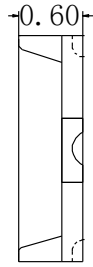
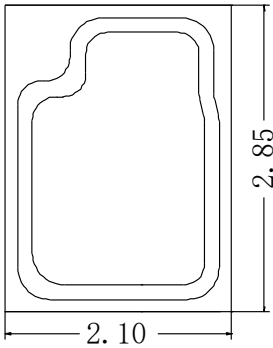
Automobile signal lamp

(Rear Light, Stop Light, Indicator Light, etc.)



Packing Unit

2000 pcs / Reel



技术资料 / Technical Data

HVA-2720JHB.700

发光颜色 / Emission Color

Amber

主波长 / Dominant Wavelength

● 612 – 624 nm

光通量 / Luminous Flux

71 lm – 180 lm

典型电压 / Voltage (typ.)

2.50 V

典型电流 / Current (typ.)

700 mA

封装 / Package

2.85 x 2.1 x 0.6

发光角度 / View Angle at 50% I_v (typ.)

120°

湿气等级 / Moisture Sensitivity Level

2

订购型号参考 / Order Number Reference

HVA-2720JHB.700-5K8L-24-1

EMC:Epoxy Molding Compound 2720 Series

汽车信号灯

(转向灯、指示灯等)

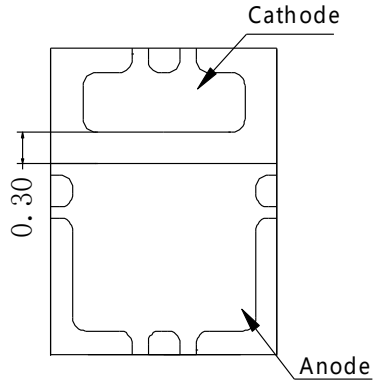
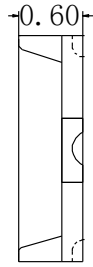
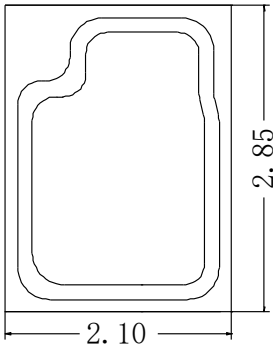
Automobile signal lamp

(Turn Lmap, Indicator Light, etc.)



Packing Unit

2000 pcs / Reel



| 技术资料 / Technical Data | HVY-2720JQB.200 |
|--|------------------|
| 发光颜色 / Emission Color | Yellow |
| 主波长 / Dominant Wavelength | ● 583 – 595 nm |
| 光通量 / Luminous Flux | 18 lm – 52 lm |
| 典型电压 / Voltage (typ.) | 2.20 V |
| 典型电流 / Current (typ.) | 200 mA |
| 封装 / Package | 2.85 x 2.1 x 0.6 |
| 发光角度 / View Angle at 50% I _v (typ.) | 120° |
| 湿气等级 / Moisture Sensitivity Level | 2 |
| 订购型号参考 / Order Number Reference | |
| HVY-2720JQB.200-GXJX-36-1 | |

EMC:Epoxy Molding Compound 2720 Series

汽车信号灯

(转向灯、指示灯等)

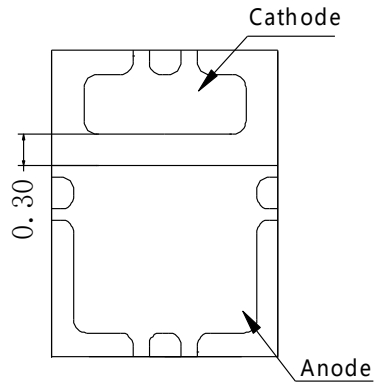
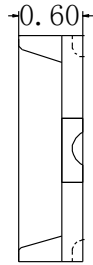
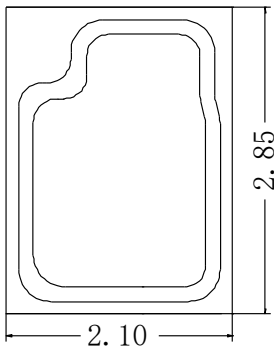
Automobile signal lamp

(Turn Lmap, Indicator Light, etc.)



Packing Unit

2000 pcs / Reel




技术资料 / Technical Data

HVY-2720JSB.350

发光颜色 / Emission Color

Yellow

主波长 / Dominant Wavelength

 583 – 595 nm

光通量 / Luminous Flux

52 lm – 112 lm

典型电压 / Voltage (typ.)

2.35 V

典型电流 / Current (typ.)

350 mA

封装 / Package

2.85 x 2.1 x 0.6

发光角度 / View Angle at 50% I_v (typ.)

120°

湿气等级 / Moisture Sensitivity Level

2

订购型号参考 / Order Number Reference

HVY-2720JSB.350-JYKZ-36-1

EMC:Epoxy Molding Compound 2720 Series

汽车信号灯

(转向灯、指示灯等)

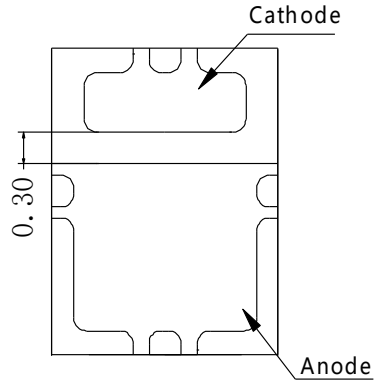
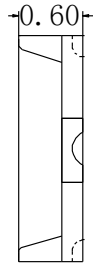
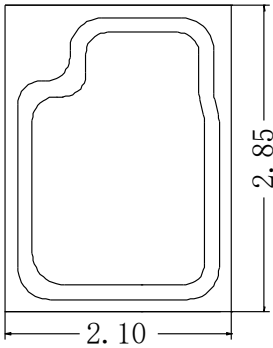
Automobile signal lamp

(Turn Lmap,Indicator Light, etc.)



Packing Unit

2000 pcs / Reel




技术资料 / Technical Data

HVY-2720JHB.700

发光颜色 / Emission Color

Yellow

主波长 / Dominant Wavelength

 583 – 595 nm

光通量 / Luminous Flux

71 lm – 180 lm

典型电压 / Voltage (typ.)

2.50 V

典型电流 / Current (typ.)

700 mA

封装 / Package

2.85 x 2.1 x 0.6

发光角度 / View Angle at 50% I_v (typ.)

120°

湿气等级 / Moisture Sensitivity Level

2

订购型号参考 / Order Number Reference

HVY-2720JHB.700-5K8L-36-1

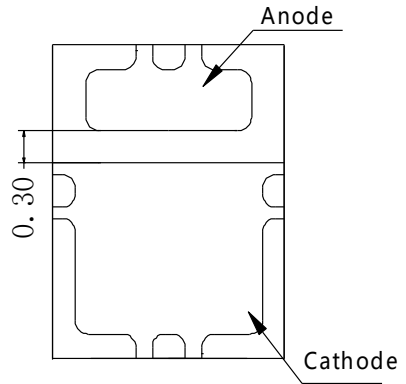
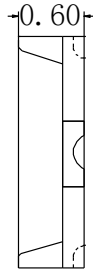
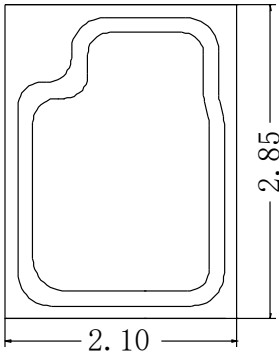
EMC:Epoxy Molding Compound 2720 Series

汽车照明、信号灯
(雾灯、日行灯等)

Automobile Lighting and signal lamp
(fog lamp, DRL, etc.)

Packing Unit

2000 pcs / Reel



| 技术资料 / Technical Data | HVCW-2720JEKA.200 |
|--|---------------------|
| 发光颜色 / Emission Color | White |
| 典型色坐标 / Color acc. to CIE 1931 (typ.) | ○ 0.33, 0.33 (typ.) |
| 光通量 / Luminous Flux | 56 lm – 112 lm |
| 典型电压 / Voltage (typ.) | 3.10 V |
| 典型电流 / Current (typ.) | 200 mA |
| 封装 / Package | 2.85 x 2.1 x 0.6 |
| 发光角度 / View Angle at 50% I _v (typ.) | 120° |
| 湿气等级 / Moisture Sensitivity Level | 2 |
| 订购型号参考 / Order Number Reference | |
| HVCW-2720JEKA.200-7J8K-ebvF46fcbB46-1 | |

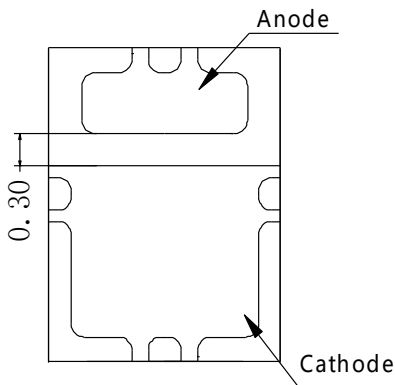
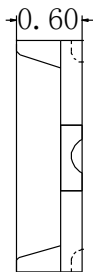
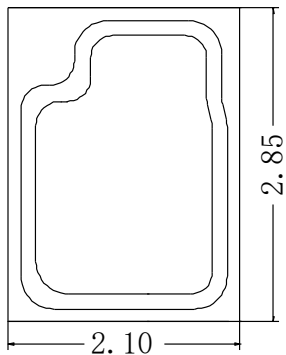
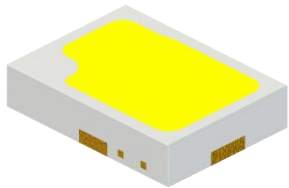
EMC:Epoxy Molding Compound 2720 Series

汽车照明、信号灯
(雾灯、日行灯等)

Automobile Lighting and signal lamp
(fog lamp, DRL, etc.)

Packing Unit

2000 pcs / Reel



技术资料 / Technical Data

HVCW-2720JQSA.200

发光颜色 / Emission Color

White

典型色坐标 / Color acc. to CIE 1931 (typ.)

○ 0.33, 0.33 (typ.)

光通量 / Luminous Flux

56 lm – 112 lm

典型电压 / Voltage (typ.)

3.10 V

典型电流 / Current (typ.)

200 mA

封装 / Package

2.85 x 2.1 x 0.6

发光角度 / View Angle at 50% I_v (typ.)

120°

湿气等级 / Moisture Sensitivity Level

2

订购型号参考 / Order Number Reference

HVCW-2720JQSA.200-7J8K-LM0MM0-1

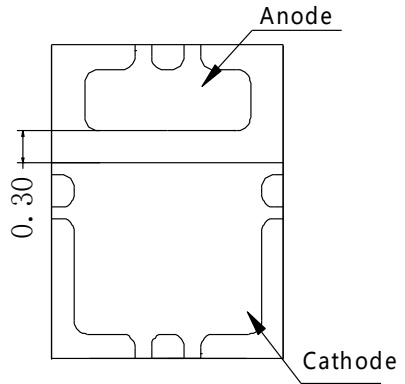
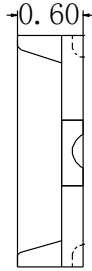
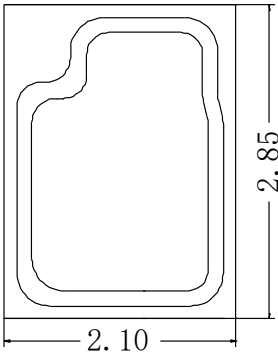
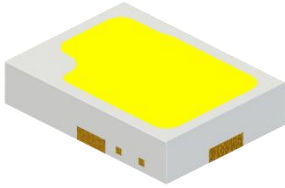
EMC:Epoxy Molding Compound 2720 Series

汽车照明、信号灯
(雾灯、日行灯等)

Automobile Lighting and signal lamp
(fog lamp, DRL, etc.)

Packing Unit

2000 pcs / Reel



技术资料 / Technical Data

HVCW-2720JSSA.350

发光颜色 / Emission Color

White

典型色坐标 / Color acc. to CIE 1931 (typ.)

○ 0.33, 0.33 (typ.)

光通量 / Luminous Flux

112 lm – 180 lm

典型电压 / Voltage (typ.)

3.25 V

典型电流 / Current (typ.)

350 mA

封装 / Package

2.85 x 2.1 x 0.6

发光角度 / View Angle at 50% I_v (typ.)

120°

湿气等级 / Moisture Sensitivity Level

2

订购型号参考 / Order Number Reference

HVCW-2720JSSA.350-5L8L-LM0MM0-1

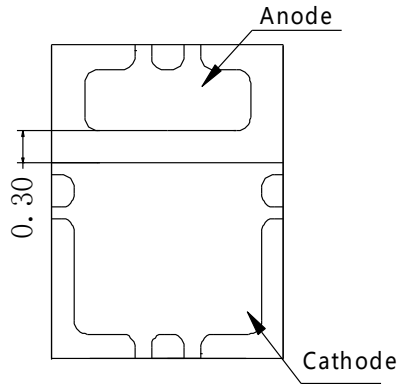
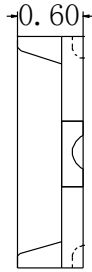
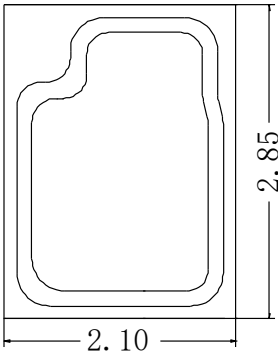
EMC:Epoxy Molding Compound 2720 Series

汽车照明、信号灯
(雾灯、日行灯等)

Automobile Lighting and signal lamp
(fog lamp, DRL, etc.)

Packing Unit

2000 pcs / Reel



技术资料 / Technical Data

HVCW-2720JHKA.700

发光颜色 / Emission Color

White

典型色坐标 / Color acc. to CIE 1931 (typ.)

○ 0.33, 0.33 (typ.)

光通量 / Luminous Flux

201 lm – 355 lm

典型电压 / Voltage (typ.)

3.25 V

典型电流 / Current (typ.)

700 mA

封装 / Package

2.85 x 2.1 x 0.6

发光角度 / View Angle at 50% I_v (typ.)

120°

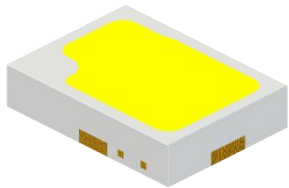
湿气等级 / Moisture Sensitivity Level

2

订购型号参考 / Order Number Reference

HVCW-2720JHKA.700-6M6N-ebvF46fcbB46-1

EMC:Epoxy Molding Compound 2720 Series

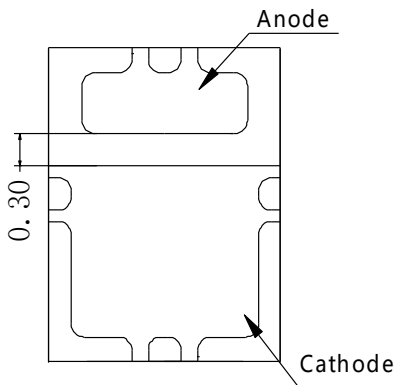
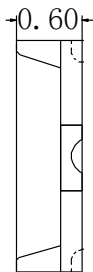
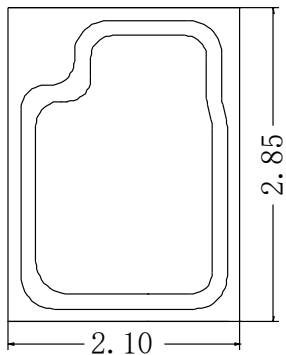


汽车信号灯
(转向灯、指示灯等)

Automobile signal lamp
(Turn Lamp, Indicator Light, etc.)

Packing Unit

2000 pcs / Reel



技术资料 / Technical Data

HVCY-2720JQSA.150

发光颜色 / Emission Color

Color on demand Yellow

典型色坐标 / Color acc. to CIE 1931 (typ.)

● 0.57,0.42(typ.)

光通量 / Luminous Flux

25 lm – 50 lm

典型电压 / Voltage (typ.)

3.10 V

典型电流 / Current (typ.)

150 mA

封装 / Package

2.85 x 2.1 x 0.6

发光角度 / View Angle at 50% I_v (typ.)

120°

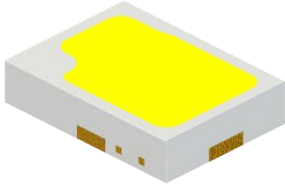
湿气等级 / Moisture Sensitivity Level

2

订购型号参考 / Order Number Reference

HVCY-2720JQSA.150-8G5J-5E-1

EMC:Epoxy Molding Compound 2720 Series

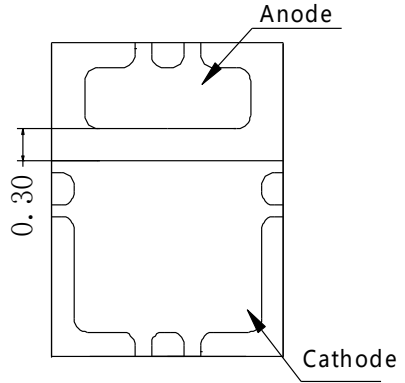
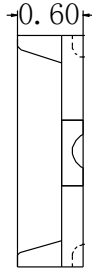
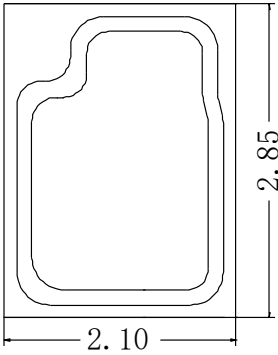


汽车信号灯
(转向灯、指示灯等)

Automobile signal lamp
(Turn Lamp, Indicator Light, etc.)

Packing Unit

2000 pcs / Reel



技术资料 / Technical Data

HVCY-2720JRSA.300

发光颜色 / Emission Color

Color on demand Yellow

典型色坐标 / Color acc. to CIE 1931 (typ.)

● 0.57,0.42(typ.)

光通量 / Luminous Flux

63 lm – 125 lm

典型电压 / Voltage (typ.)

3.10 V

典型电流 / Current (typ.)

300 mA

封装 / Package

2.85 x 2.1 x 0.6

发光角度 / View Angle at 50% I_v (typ.)

120°

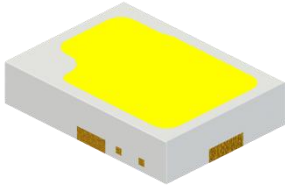
湿气等级 / Moisture Sensitivity Level

2

订购型号参考 / Order Number Reference

HVCY-2720JRSA.300-8J5L-5E-1

EMC:Epoxy Molding Compound 2720 Series

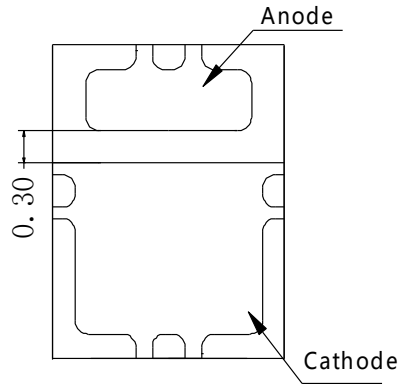
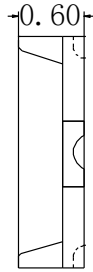
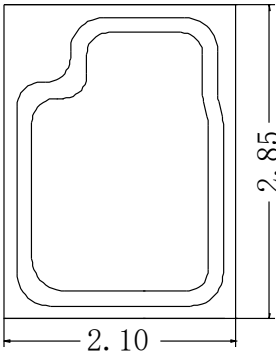


汽车信号灯
(转向灯、指示灯等)

Automobile signal lamp
(Turn Lamp, Indicator Light, etc.)

Packing Unit

2000 pcs / Reel



技术资料 / Technical Data

HVCY-2720JHSA.600

发光颜色 / Emission Color

Color on demand Yellow

典型色坐标 / Color acc. to CIE 1931 (typ.)

● 0.57,0.42(typ.)

光通量 / Luminous Flux

125 lm – 201 lm

典型电压 / Voltage (typ.)

3.10 V

典型电流 / Current (typ.)

300 mA

封装 / Package

2.85 x 2.1 x 0.6

发光角度 / View Angle at 50% I_v (typ.)

120°

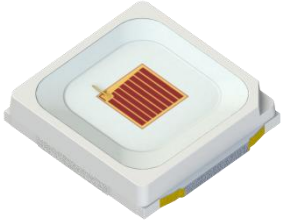
湿气等级 / Moisture Sensitivity Level

2

订购型号参考 / Order Number Reference

HVCY-2720JHSA.600-6L6M-5E-1

EMC:Epoxy Molding Compound 3030 Series

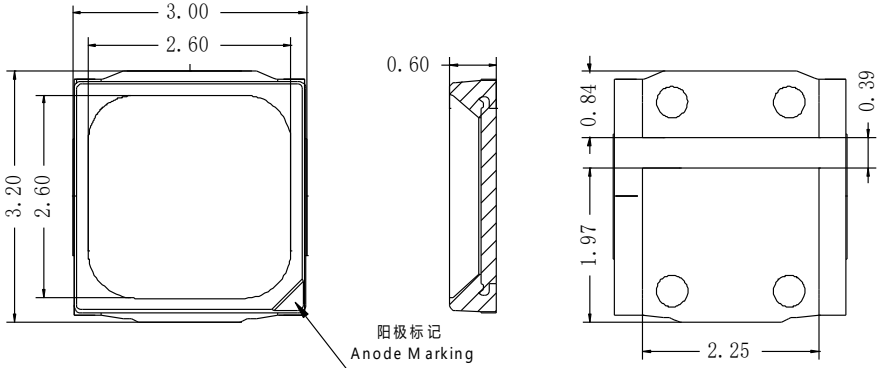


汽车信号灯
(尾灯、指示灯等)

Automobile signal lamp
(Rear Light, Indicator Light, etc.)

Packing Unit

2000 pcs / Reel



技术资料 / Technical Data

HVS-3030ZQBA.200

发光颜色 / Emission Color

Super Red

主波长 / Dominant Wavelength

● 630 – 639 nm

光通量 / Luminous Flux

21 lm – 45 lm

典型电压 / Voltage (typ.)

2.20 V

典型电流 / Current (typ.)

200 mA

封装 / Package

3.0 x 3.2 x 0.6

发光角度 / View Angle at 50% I_v (typ.)

120°

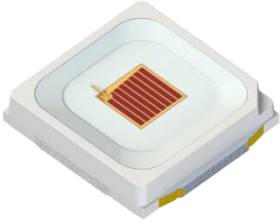
湿气等级 / Moisture Sensitivity Level

2

订购型号参考 / Order Number Reference

HVS-3030ZHBA.200-GYHZ-1-1

EMC:Epoxy Molding Compound 3030 Series

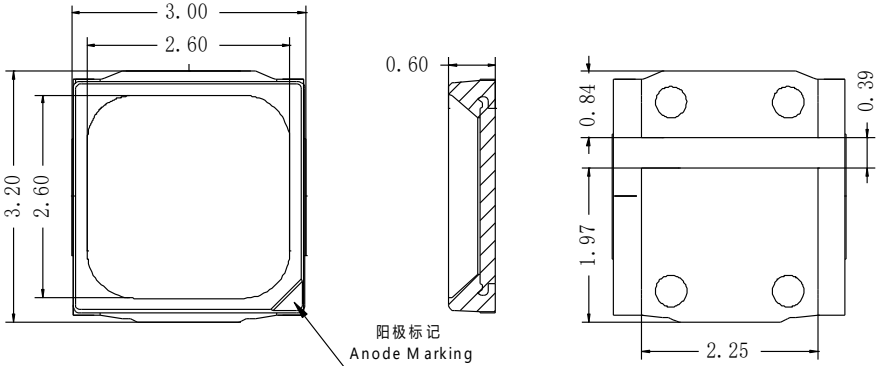


汽车信号灯
(尾灯、指示灯等)

Automobile signal lamp
(Rear Light, Indicator Light, etc.)

Packing Unit

2000 pcs / Reel



技术资料 / Technical Data

HVS-3030ZSBA.350

发光颜色 / Emission Color

Super Red

主波长 / Dominant Wavelength

● 630 – 639 nm

光通量 / Luminous Flux

33 lm – 71 lm

典型电压 / Voltage (typ.)

2.35 V

典型电流 / Current (typ.)

350 mA

封装 / Package

3.0 x 3.2 x 0.6

发光角度 / View Angle at 50% I_v (typ.)

120°

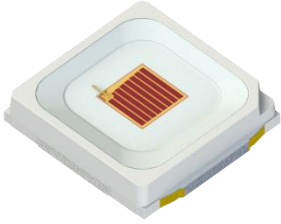
湿气等级 / Moisture Sensitivity Level

2

订购型号参考 / Order Number Reference

HVS-3030ZHBA.350-HYJZ-1-1

EMC:Epoxy Molding Compound 3030 Series



汽车信号灯

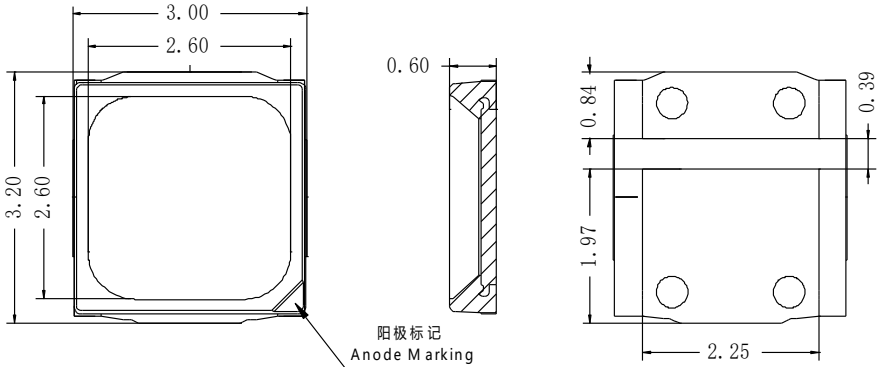
(尾灯、指示灯等)

Automobile signal lamp

(Rear Light, Indicator Light, etc.)

Packing Unit

2000 pcs / Reel



技术资料 / Technical Data

HVS-3030ZHBA.700

发光颜色 / Emission Color

Super Red

主波长 / Dominant Wavelength

● 630 – 639 nm

光通量 / Luminous Flux

60 lm – 112 lm

典型电压 / Voltage (typ.)

2.50 V

典型电流 / Current (typ.)

700 mA

封装 / Package

3.0 x 3.2 x 0.6

发光角度 / View Angle at 50% I_v (typ.)

120°

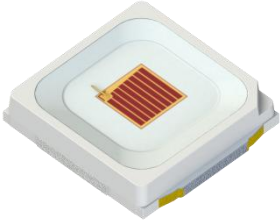
湿气等级 / Moisture Sensitivity Level

2

订购型号参考 / Order Number Reference

HVS-3030ZHBA.700-JZKZ-1-1

EMC:Epoxy Molding Compound 3030 Series

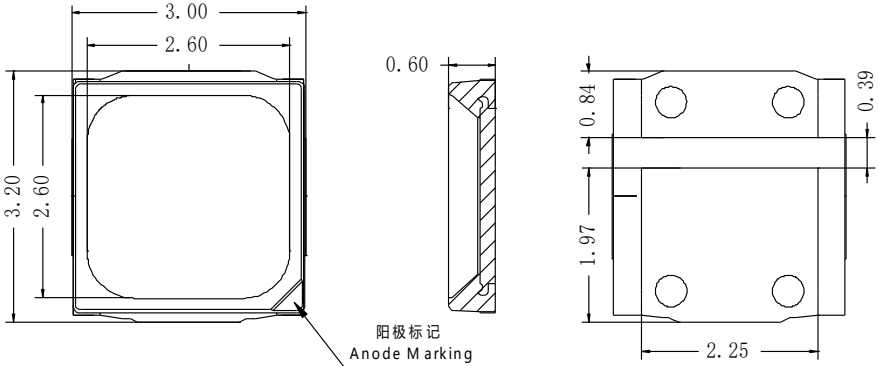


汽车信号灯
(尾灯、指示灯等)

Automobile signal lamp
(Rear Light, Indicator Light, etc.)

Packing Unit

2000 pcs / Reel



技术资料 / Technical Data

HVR-3030ZQBA.200

发光颜色 / Emission Color

Red

主波长 / Dominant Wavelength

● 620 – 629 nm

光通量 / Luminous Flux

28 lm – 52 lm

典型电压 / Voltage (typ.)

2.20 V

典型电流 / Current (typ.)

200 mA

封装 / Package

3.0 x 3.2 x 0.6

发光角度 / View Angle at 50% I_v (typ.)

120°

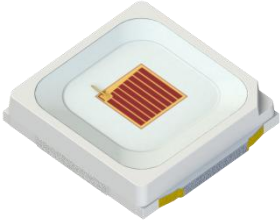
湿气等级 / Moisture Sensitivity Level

2

订购型号参考 / Order Number Reference

HVR-3030ZHBA.200-HXJX-46-1

EMC:Epoxy Molding Compound 3030 Series

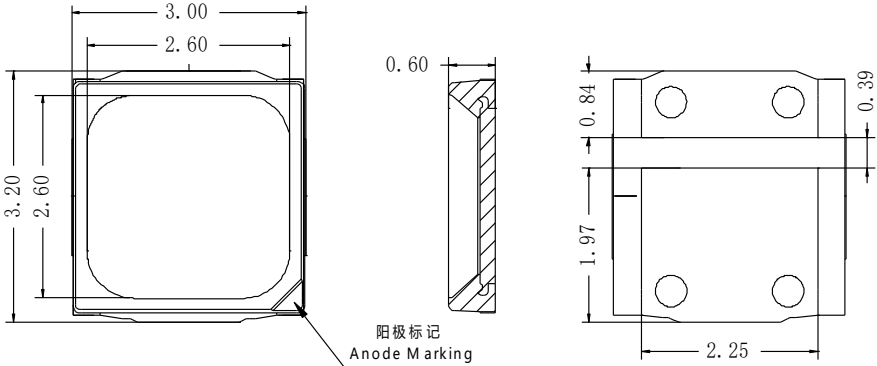


汽车信号灯
(尾灯、指示灯等)

Automobile signal lamp
(Rear Light, Indicator Light, etc.)

Packing Unit

2000 pcs / Reel



技术资料 / Technical Data

HVR-3030ZSBA.350

发光颜色 / Emission Color

Red

主波长 / Dominant Wavelength

● 620 – 629 nm

光通量 / Luminous Flux

45 lm – 112 lm

典型电压 / Voltage (typ.)

2.35 V

典型电流 / Current (typ.)

350 mA

封装 / Package

3.0 x 3.2 x 0.6

发光角度 / View Angle at 50% I_v (typ.)

120°

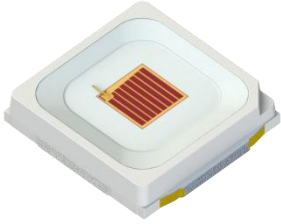
湿气等级 / Moisture Sensitivity Level

2

订购型号参考 / Order Number Reference

HVR-3030ZHBA.350-JXKZ-46-1

EMC:Epoxy Molding Compound 3030 Series

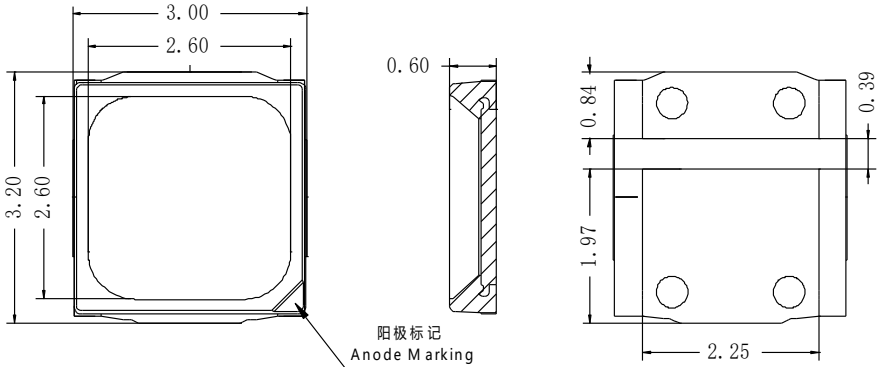


汽车信号灯
(尾灯、指示灯等)

Automobile signal lamp
(Rear Light, Indicator Light, etc.)

Packing Unit

2000 pcs / Reel



技术资料 / Technical Data

HVR-3030ZHBA.700

发光颜色 / Emission Color

Red

主波长 / Dominant Wavelength

● 620 – 629 nm

光通量 / Luminous Flux

90 lm – 180 lm

典型电压 / Voltage (typ.)

2.50 V

典型电流 / Current (typ.)

700 mA

封装 / Package

3.0 x 3.2 x 0.6

发光角度 / View Angle at 50% I_v (typ.)

120°

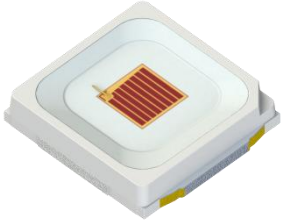
湿气等级 / Moisture Sensitivity Level

2

订购型号参考 / Order Number Reference

HVR-3030ZHBA.700-7K8L-46-1

EMC:Epoxy Molding Compound 3030 Series

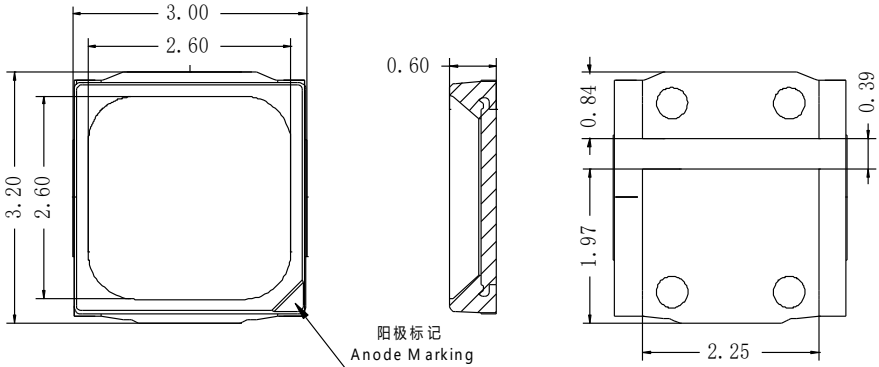


汽车信号灯
(尾灯、指示灯等)

Automobile signal lamp
(Rear Light, Indicator Light, etc.)

Packing Unit

2000 pcs / Reel



技术资料 / Technical Data

HVA-3030ZQBA.200

发光颜色 / Emission Color

Amber

主波长 / Dominant Wavelength

● 612 – 624 nm

光通量 / Luminous Flux

39 lm – 71 lm

典型电压 / Voltage (typ.)

2.20 V

典型电流 / Current (typ.)

200 mA

封装 / Package

3.0 x 3.2 x 0.6

发光角度 / View Angle at 50% I_v (typ.)

120°

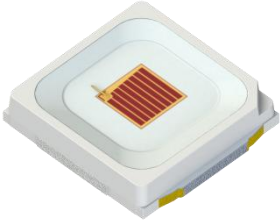
湿气等级 / Moisture Sensitivity Level

2

订购型号参考 / Order Number Reference

HVA-3030ZHBA.200-HZJZ-24-1

EMC:Epoxy Molding Compound 3030 Series

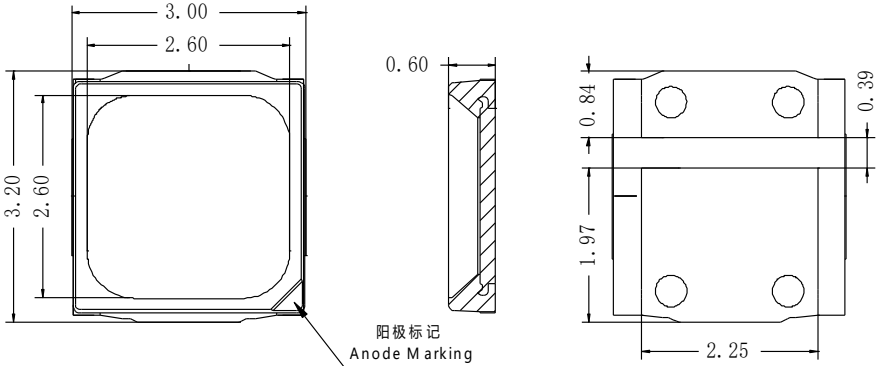


汽车信号灯
(尾灯、指示灯等)

Automobile signal lamp
(Rear Light, Indicator Light, etc.)

Packing Unit

2000 pcs / Reel



技术资料 / Technical Data

HVA-3030ZSBA.350

发光颜色 / Emission Color

Amber

主波长 / Dominant Wavelength

● 612 – 624 nm

光通量 / Luminous Flux

52 lm – 112 lm

典型电压 / Voltage (typ.)

2.35 V

典型电流 / Current (typ.)

350 mA

封装 / Package

3.0 x 3.2 x 0.6

发光角度 / View Angle at 50% I_v (typ.)

120°

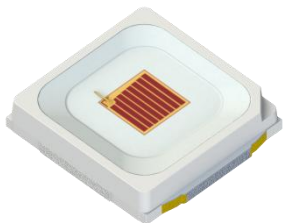
湿气等级 / Moisture Sensitivity Level

2

订购型号参考 / Order Number Reference

HVA-3030ZHBA.350-JYKZ-24-1

EMC:Epoxy Molding Compound 3030 Series



汽车信号灯

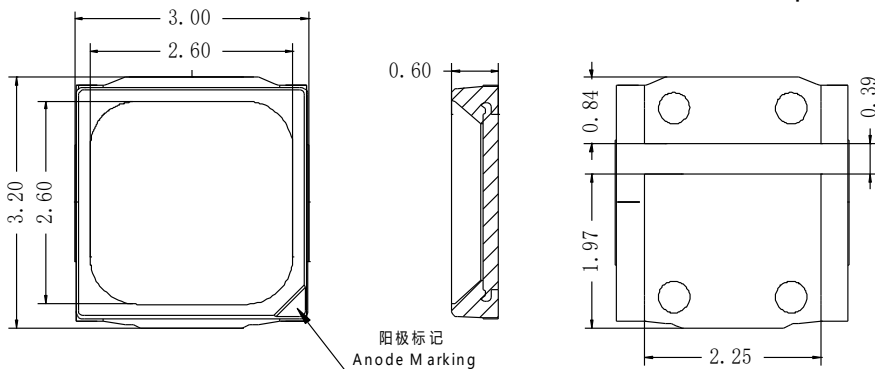
(尾灯、指示灯等)

Automobile signal lamp

(Rear Light, Indicator Light, etc.)

Packing Unit

2000 pcs / Reel



技术资料 / Technical Data

HVA-3030ZHBA.700

发光颜色 / Emission Color

Amber

主波长 / Dominant Wavelength

● 612 – 624 nm

光通量 / Luminous Flux

90 lm – 180 lm

典型电压 / Voltage (typ.)

2.50 V

典型电流 / Current (typ.)

700 mA

封装 / Package

3.0 x 3.2 x 0.6

发光角度 / View Angle at 50% I_v (typ.)

120°

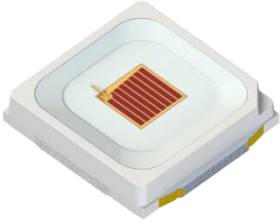
湿气等级 / Moisture Sensitivity Level

2

订购型号参考 / Order Number Reference

HVA-3030ZHBA.700-7K8L-24-1

EMC:Epoxy Molding Compound 3030 Series

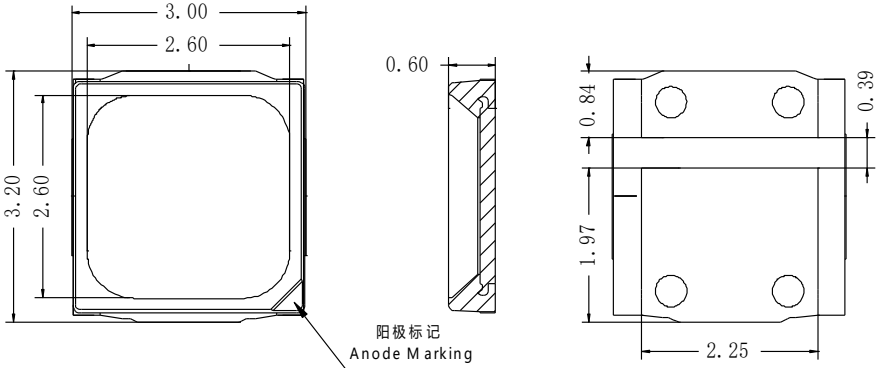


汽车信号灯
(转向灯、指示灯等)

Automobile signal lamp
(Turn Lamp, Indicator Light, etc.)

Packing Unit

2000 pcs / Reel




技术资料 / Technical Data

HVY-3030ZQBA.200

发光颜色 / Emission Color

Yellow

主波长 / Dominant Wavelength

 583 – 595 nm

光通量 / Luminous Flux

28 lm – 52 lm

典型电压 / Voltage (typ.)

2.20 V

典型电流 / Current (typ.)

200 mA

封装 / Package

3.0 x 3.2 x 0.6

发光角度 / View Angle at 50% I_v (typ.)

120°

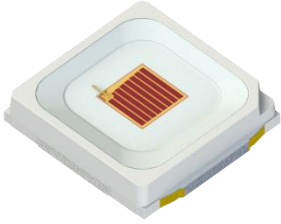
湿气等级 / Moisture Sensitivity Level

2

订购型号参考 / Order Number Reference

HVY-3030ZHBA.200-HXJX-36-1

EMC:Epoxy Molding Compound 3030 Series

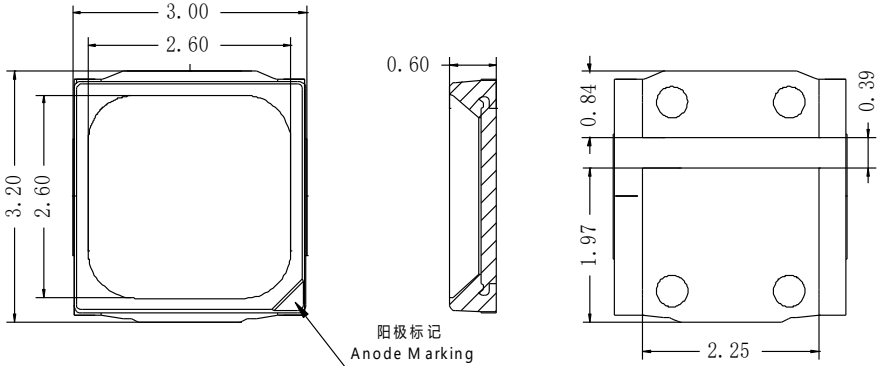


汽车信号灯
(转向灯、指示灯等)

Automobile signal lamp
(Turn Lamp, Indicator Light, etc.)

Packing Unit

2000 pcs / Reel




技术资料 / Technical Data

HVY-3030ZSBA.350

发光颜色 / Emission Color

Yellow

主波长 / Dominant Wavelength

 583 – 595 nm

光通量 / Luminous Flux

39 lm – 71 lm

典型电压 / Voltage (typ.)

2.35 V

典型电流 / Current (typ.)

350 mA

封装 / Package

3.0 x 3.2 x 0.6

发光角度 / View Angle at 50% I_v (typ.)

120°

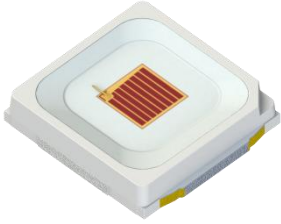
湿气等级 / Moisture Sensitivity Level

2

订购型号参考 / Order Number Reference

HVY-3030ZHBA.350-HZJZ-36-1

EMC:Epoxy Molding Compound 3030 Series

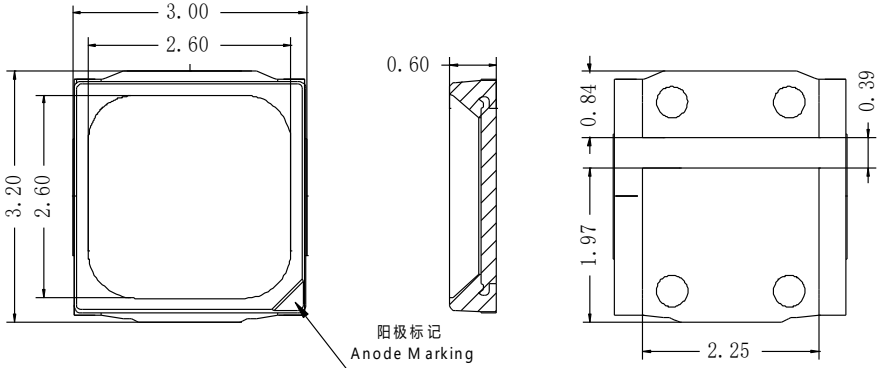


汽车信号灯
(转向灯、指示灯等)

Automobile signal lamp
(Turn Lamp, Indicator Light, etc.)

Packing Unit

2000 pcs / Reel




技术资料 / Technical Data

HVY-3030ZHBA.700

发光颜色 / Emission Color

Yellow

主波长 / Dominant Wavelength

 583 – 595 nm

光通量 / Luminous Flux

90 lm – 180 lm

典型电压 / Voltage (typ.)

2.50 V

典型电流 / Current (typ.)

700 mA

封装 / Package

3.0 x 3.2 x 0.6

发光角度 / View Angle at 50% I_v (typ.)

120°

湿气等级 / Moisture Sensitivity Level

2

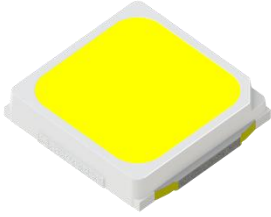
订购型号参考 / Order Number Reference

HVY-3030ZHBA.700-7K8L-36-1

EMC:Epoxy Molding Compound 3030 Series

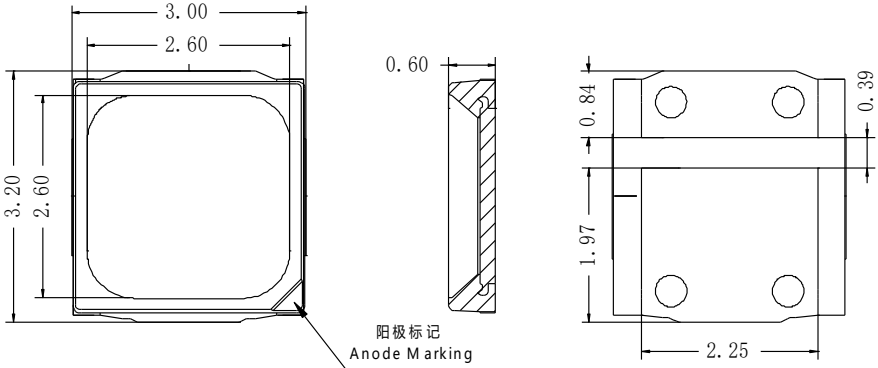
汽车照明、信号灯
(雾灯、日行灯等)

Automobile Lighting and signal lamp
(fog lamp, DRL, etc.)



Packing Unit

2000 pcs / Reel



技术资料 / Technical Data

HVCW-3030ZQSA.150

发光颜色 / Emission Color

Color on demand White

典型色坐标 / Color acc. to CIE 1931 (typ.)

○ 0.33,0.33

光通量 / Luminous Flux

56 lm – 100 lm

典型电压 / Voltage (typ.)

3.10 V

典型电流 / Current (typ.)

150 mA

封装 / Package

3.0 x 3.2 x 0.6

发光角度 / View Angle at 50% Iv (typ.)

120°

湿气等级 / Moisture Sensitivity Level

2

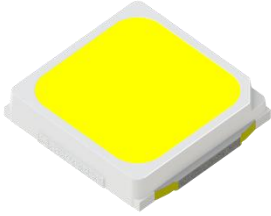
订购型号参考 / Order Number Reference

HVCW-3030ZQSA.150-7J7K-JKQL-1

EMC:Epoxy Molding Compound 3030 Series

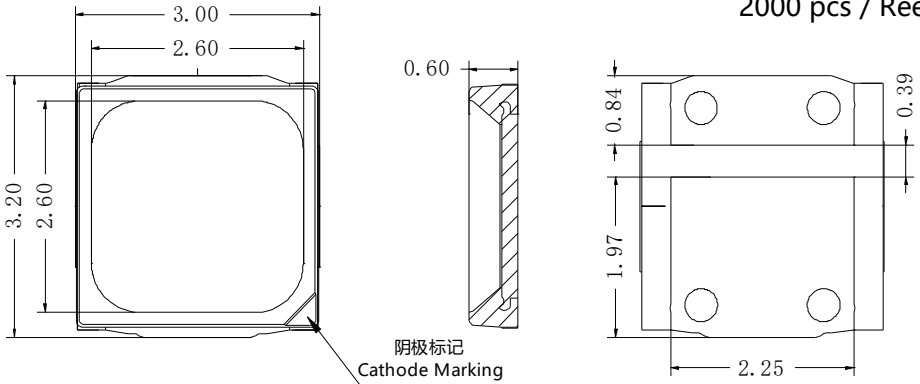
汽车照明、信号灯
(雾灯、日行灯等)

Automobile Lighting and signal lamp
(fog lamp, DRL, etc.)



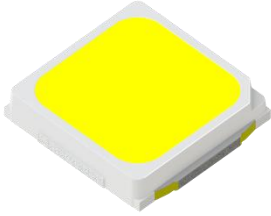
Packing Unit

2000 pcs / Reel



| | |
|--|-------------------------|
| 技术资料 / Technical Data | HVCW-3030ZGS.350 |
| 发光颜色 / Emission Color | Color on demand White |
| 典型色坐标 / Color acc. to CIE 1931 (typ.) | ○ 0.33,0.33 |
| 光通量 / Luminous Flux | 112 lm – 180 lm |
| 典型电压 / Voltage (typ.) | 3.25 V |
| 典型电流 / Current (typ.) | 350 mA |
| 封装 / Package | 3.0 x 3.2 x 0.6 |
| 发光角度 / View Angle at 50% I _v (typ.) | 120° |
| 湿气等级 / Moisture Sensitivity Level | 2 |
| 订购型号参考 / Order Number Reference | |
| HVCW-3030ZGS.350-5L8L-LM0MM0-1 | |

EMC:Epoxy Molding Compound 3030 Series

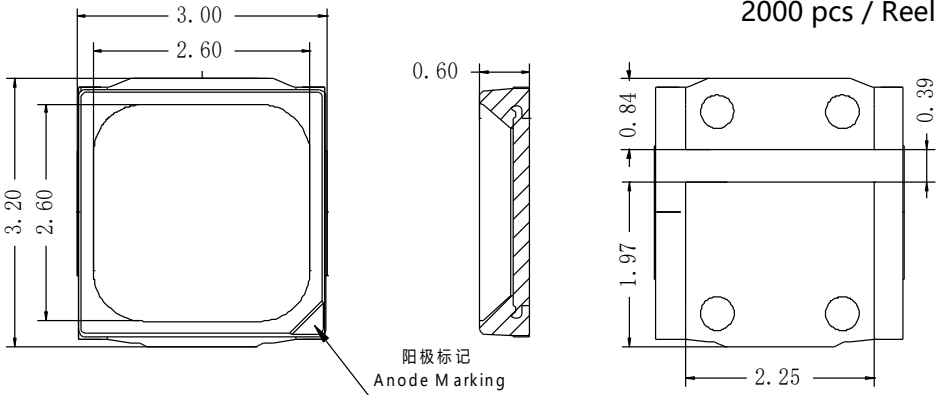


汽车信号灯
(转向灯、指示灯等)

Automobile signal lamp
(Turn Lamp, Indicator Light, etc.)

Packing Unit

2000 pcs / Reel




技术资料 / Technical Data

HVCY-3030ZQSA.150

发光颜色 / Emission Color

Color on demand Yellow

典型色坐标 / Color acc. to CIE 1931 (typ.)

 0.57,0.42

光通量 / Luminous Flux

28 lm – 56 lm

典型电压 / Voltage (typ.)

3.10 V

典型电流 / Current (typ.)

150 mA

封装 / Package

3.0 x 3.2 x 0.6

发光角度 / View Angle at 50% I_v (typ.)

120°

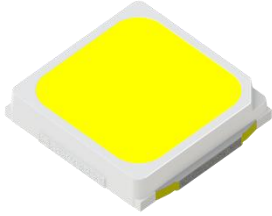
湿气等级 / Moisture Sensitivity Level

2

订购型号参考 / Order Number Reference

HVCY-3030ZQSA.150-5H6J-5E-1

EMC:Epoxy Molding Compound 3030 Series

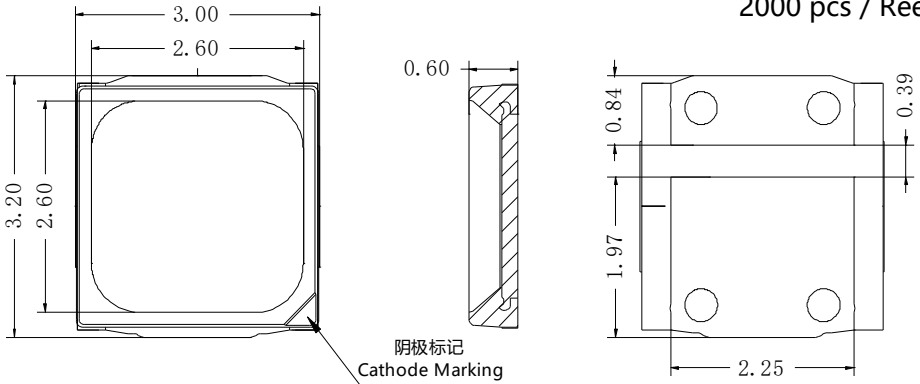


汽车信号灯
(转向灯、指示灯等)

Automobile signal lamp
(Turn Lamp, Indicator Light, etc.)

Packing Unit

2000 pcs / Reel




技术资料 / Technical Data

HVCY-3030ZGS.350

发光颜色 / Emission Color

Color on demand Yellow

典型色坐标 / Color acc. to CIE 1931 (typ.)

 0.57,0.42

光通量 / Luminous Flux

71 lm – 112 lm

典型电压 / Voltage (typ.)

3.25 V

典型电流 / Current (typ.)

350 mA

封装 / Package

3.0 x 3.2 x 0.6

发光角度 / View Angle at 50% Iv (typ.)

120°

湿气等级 / Moisture Sensitivity Level

2

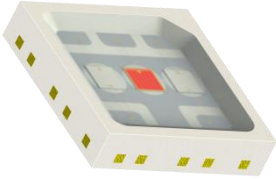
订购型号参考 / Order Number Reference

HVCY-3030ZGS.350-5K8K-5E-1

EMC:Epoxy Molding Compound 3030 Series

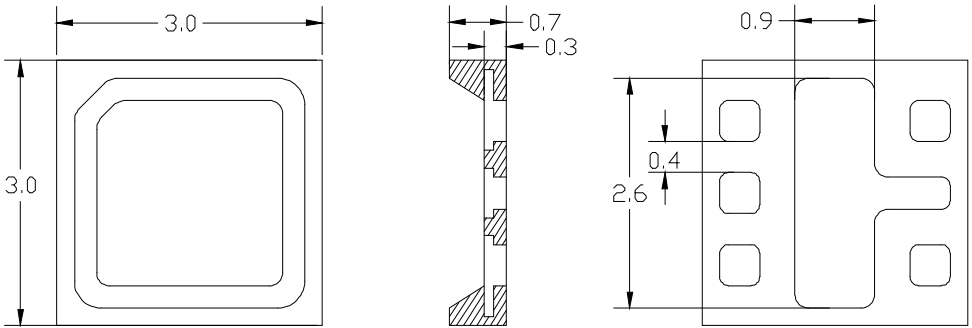
汽车内指示灯、氛围灯、背光灯等

Automobile interior Indicator Light,
Ambient Light, Backlight, etc.



Packing Unit

2000pcs / Reel



技术资料 / Technical Data

HVRTB-3030RES

| 发光颜色 / Emission Color | Red | True green | Blue |
|--|------------------|---------------|--------------|
| 主波长 / Dominant Wavelength | ● 619-629 nm | ● 520-535 nm | ● 458-475 nm |
| 光强 / Intensity | 4.50 – 10.5 cd | 8.5 – 17.5 cd | 2.5-6.5 cd |
| 典型电压 / Voltage (typ.) | 2.30 V | 3.30 V | 3.30 V |
| 典型电流 / Current (typ.) | 150 mA | | |
| 封装 / Package | 3.0 x 3.0 x 0.65 | | |
| 发光角度 / View Angle at 50% I _v (typ.) | 120° | | |
| 防潮等级 / Moisture Sensitivity Level | 2 | | |

订购型号参考 / Order Number Reference

HVRTB-3433RES-C3C5-12+C5C7-38+C1C3-MS

EMC:Epoxy Molding Compound 3535 Series

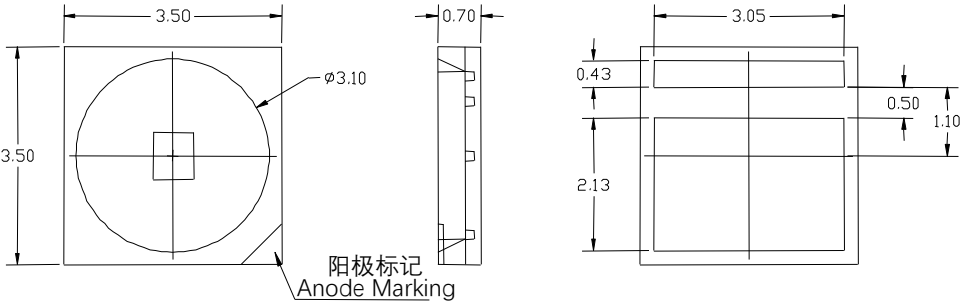


汽车信号灯
(尾灯、指示灯等)

Automobile signal lamp
(Rear Light, Indicator Light, etc.)

Packing Unit

2000 pcs / Reel



| 技术资料 / Technical Data | HVR-3535MHBA |
|--|---|
| 发光颜色 / Emission Color | Red |
| 主波长 / Dominant Wavelength | ● 620 – 630 nm |
| 光通量 / Luminous Flux | 140 lm – 250 lm |
| 典型电压 / Voltage (typ.) | 2.85 V |
| 典型电流 / Current (typ.) | 1000 mA |
| 封装 / Package | 3.5 x 3.5 x 0.7 |
| 发光角度 / View Angle at 50% I _v (typ.) | 120° |
| 湿气等级 / Moisture Sensitivity Level | 2 |
| 订购型号参考 / Order Number Reference | |
| HVR-3535MHBA-7L7M-46-1 | |

EMC:Epoxy Molding Compound 3535 Series

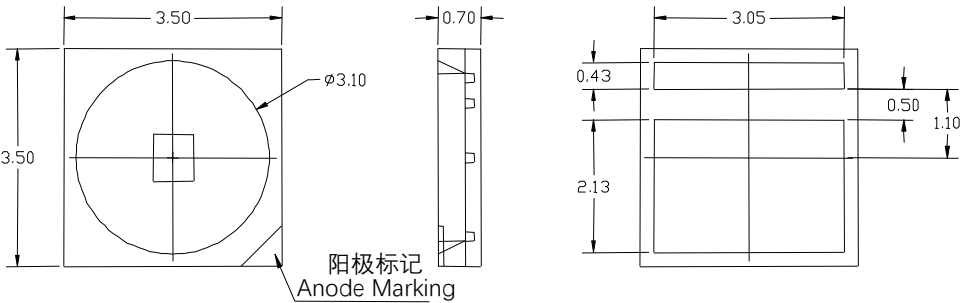


汽车信号灯
(尾灯、指示灯等)

Automobile signal lamp
(Rear Light, Indicator Light, etc.)

Packing Unit

2000 pcs / Reel



| 技术资料 / Technical Data | HVR-3535MGBA |
|--|-----------------|
| 发光颜色 / Emission Color | Red |
| 主波长 / Dominant Wavelength | ● 620 – 630 nm |
| 光通量 / Luminous Flux | 45 lm – 97 lm |
| 典型电压 / Voltage (typ.) | 2.50 V |
| 典型电流 / Current (typ.) | 350 mA |
| 封装 / Package | 3.5 x 3.5 x 0.7 |
| 发光角度 / View Angle at 50% I _v (typ.) | 120° |
| 湿气等级 / Moisture Sensitivity Level | 2 |
| 订购型号参考 / Order Number Reference | |
| HVR-3535MGBA-JXKY-46-1 | |

EMC:Epoxy Molding Compound 3535 Series

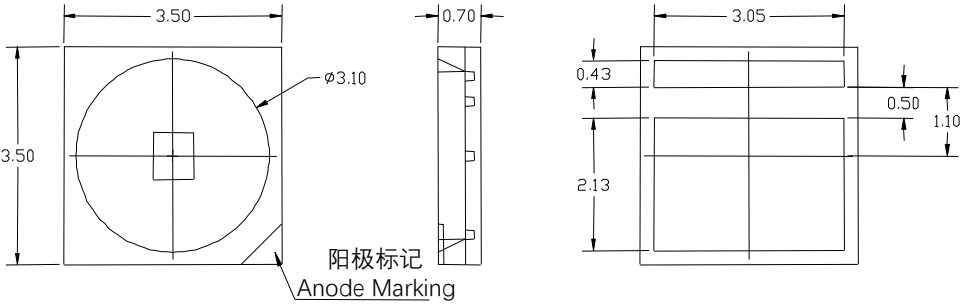


汽车信号灯
(尾灯、指示灯等)

Automobile signal lamp
(Rear Light, Indicator Light, etc.)

Packing Unit

2000 pcs / Reel



| 技术资料 / Technical Data | HVR-3535MEBA |
|--|-----------------|
| 发光颜色 / Emission Color | Red |
| 主波长 / Dominant Wavelength | ● 620 – 630 nm |
| 光通量 / Luminous Flux | 28 lm – 52 lm |
| 典型电压 / Voltage (typ.) | 2.35 V |
| 典型电流 / Current (typ.) | 200 mA |
| 封装 / Package | 3.5 x 3.5 x 0.7 |
| 发光角度 / View Angle at 50% I _v (typ.) | 120° |
| 湿气等级 / Moisture Sensitivity Level | 2 |
| 订购型号参考 / Order Number Reference | |
| HVR-3535MEBA-HXJX-46-1 | |

EMC:Epoxy Molding Compound 3535 Series



汽车信号灯

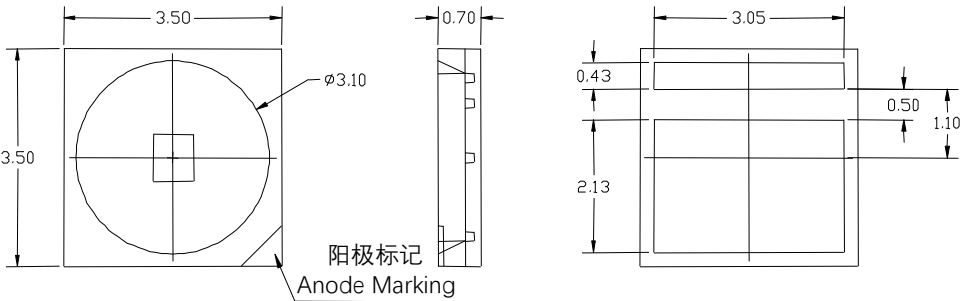
(尾灯、指示灯等)

Automobile signal lamp

(Rear Light, Indicator Light, etc.)

Packing Unit

2000 pcs / Reel



| 技术资料 / Technical Data | HVA-3535MHBA |
|--|-----------------|
| 发光颜色 / Emission Color | Amber |
| 主波长 / Dominant Wavelength | ● 612 – 624 nm |
| 光通量 / Luminous Flux | 140 lm – 250 lm |
| 典型电压 / Voltage (typ.) | 2.85 V |
| 典型电流 / Current (typ.) | 1000 mA |
| 封装 / Package | 3.5 x 3.5 x 0.7 |
| 发光角度 / View Angle at 50% I _v (typ.) | 120° |
| 湿气等级 / Moisture Sensitivity Level | 2 |
| 订购型号参考 / Order Number Reference | |
| HVA-3535MHBA-7L7M-24-1 | |

EMC:Epoxy Molding Compound 3535 Series

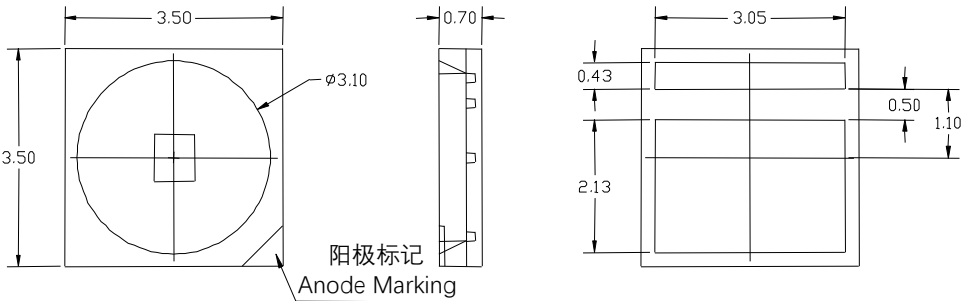


汽车信号灯
(尾灯、指示灯等)

Automobile signal lamp
(Rear Light, Indicator Light, etc.)

Packing Unit

2000 pcs / Reel



| 技术资料 / Technical Data | HVA-3535MGBA |
|--|---|
| 发光颜色 / Emission Color | Amber |
| 主波长 / Dominant Wavelength | ● 612 – 624 nm |
| 光通量 / Luminous Flux | 45 lm – 97 lm |
| 典型电压 / Voltage (typ.) | 2.50 V |
| 典型电流 / Current (typ.) | 350 mA |
| 封装 / Package | 3.5 x 3.5 x 0.7 |
| 发光角度 / View Angle at 50% I _v (typ.) | 120° |
| 湿气等级 / Moisture Sensitivity Level | 2 |
| 订购型号参考 / Order Number Reference | |
| HVA-3535MGBA-JXKY-24-1 | |

EMC:Epoxy Molding Compound 3535 Series

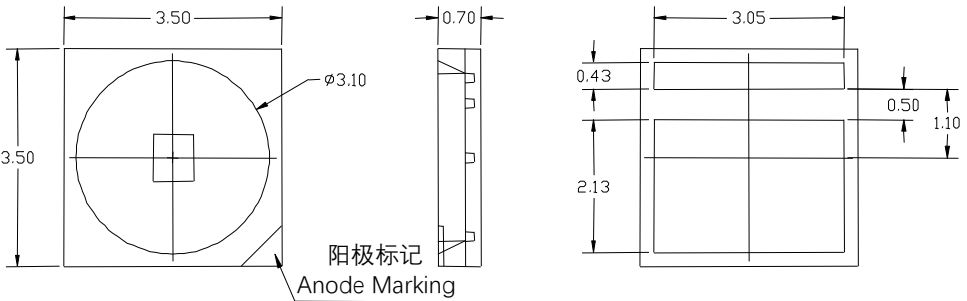


汽车信号灯
(尾灯、指示灯等)

Automobile signal lamp
(Rear Light, Indicator Light, etc.)

Packing Unit

2000 pcs / Reel



| 技术资料 / Technical Data | HVA-3535MEBA |
|--|---|
| 发光颜色 / Emission Color | Amber |
| 主波长 / Dominant Wavelength | ● 612 – 624 nm |
| 光通量 / Luminous Flux | 28.00 lm – 52.00 lm |
| 典型电压 / Voltage (typ.) | 2.35 V |
| 典型电流 / Current (typ.) | 200 mA |
| 封装 / Package | 3.5 x 3.5 x 0.7 |
| 发光角度 / View Angle at 50% I _v (typ.) | 120° |
| 湿气等级 / Moisture Sensitivity Level | 2 |
| 订购型号参考 / Order Number Reference | |
| HVA-3535MEBA-HXJX-24-1 | |

EMC:Epoxy Molding Compound 3535 Series

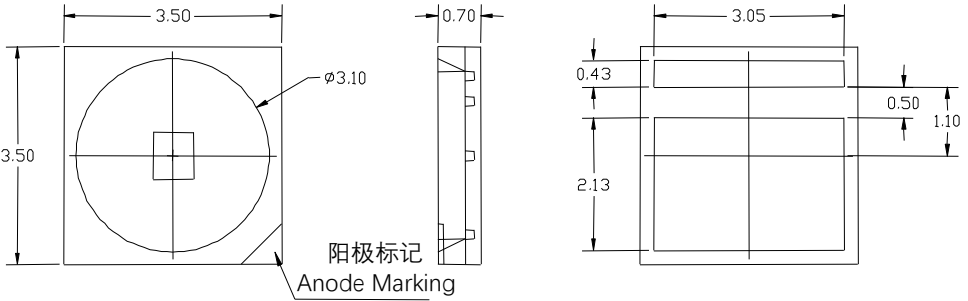



汽车信号灯
(指示灯等)

Automobile signal lamp
(Indicator Light, etc.)

Packing Unit

2000 pcs / Reel



| 技术资料 / Technical Data | HVY-3535MHBA |
|--|--|
| 发光颜色 / Emission Color | Yellow |
| 主波长 / Dominant Wavelength |  583 – 595 nm |
| 光通量 / Luminous Flux | 125 lm – 224 lm |
| 典型电压 / Voltage (typ.) | 2.85 V |
| 典型电流 / Current (typ.) | 1000 mA |
| 封装 / Package | 3.5 x 3.5 x 0.7 |
| 发光角度 / View Angle at 50% I _v (typ.) | 120° |
| 湿气等级 / Moisture Sensitivity Level | 2 |
| 订购型号参考 / Order Number Reference | |
| HVY-3535MHBA-6L6M-36-1 | |

EMC:Epoxy Molding Compound 3535 Series

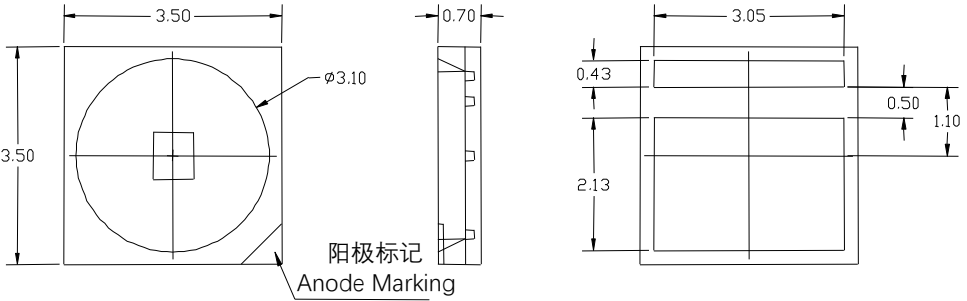
汽车信号灯
(指示灯等)

Automobile signal lamp
(Indicator Light, etc.)



Packing Unit

2000 pcs / Reel



| 技术资料 / Technical Data | HVY-3535MGBA |
|--|-----------------|
| 发光颜色 / Emission Color | Yellow |
| 主波长 / Dominant Wavelength | ● 583 – 595 nm |
| 光通量 / Luminous Flux | 45 lm – 97 lm |
| 典型电压 / Voltage (typ.) | 2.50 V |
| 典型电流 / Current (typ.) | 350 mA |
| 封装 / Package | 3.5 x 3.5 x 0.7 |
| 发光角度 / View Angle at 50% I _v (typ.) | 120° |
| 湿气等级 / Moisture Sensitivity Level | 2 |
| 订购型号参考 / Order Number Reference | |
| HVY-3535MGBA-JXKY-36-1 | |

EMC:Epoxy Molding Compound 3535 Series

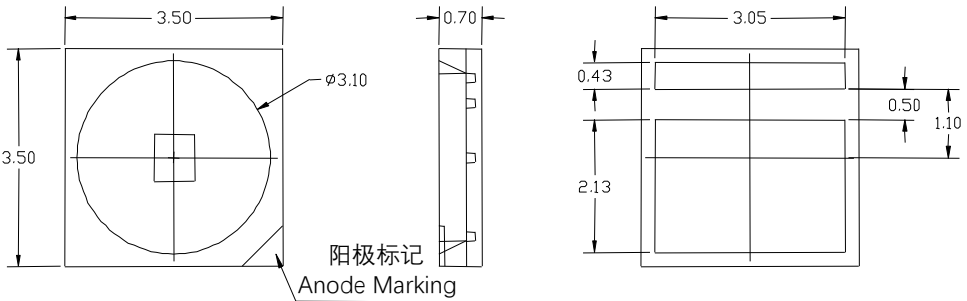



汽车信号灯
(指示灯等)

Automobile signal lamp
(Indicator Light, etc.)

Packing Unit

2000 pcs / Reel



| 技术资料 / Technical Data | HVY-3535MEBA |
|--|--|
| 发光颜色 / Emission Color | Yellow |
| 主波长 / Dominant Wavelength |  583 – 595 nm |
| 光通量 / Luminous Flux | 24.00 lm – 52.00 lm |
| 典型电压 / Voltage (typ.) | 2.35 V |
| 典型电流 / Current (typ.) | 200 mA |
| 封装 / Package | 3.5 x 3.5 x 0.7 |
| 发光角度 / View Angle at 50% I _v (typ.) | 120° |
| 湿气等级 / Moisture Sensitivity Level | 2 |
| 订购型号参考 / Order Number Reference | |
| HVY-3535MEBA-GZJX-36-1 | |

EMC:Epoxy Molding Compound 3535 Series

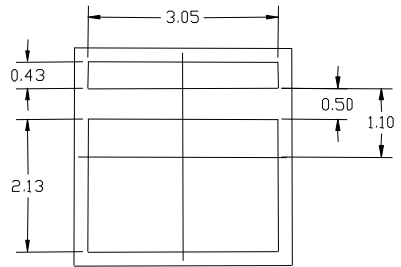
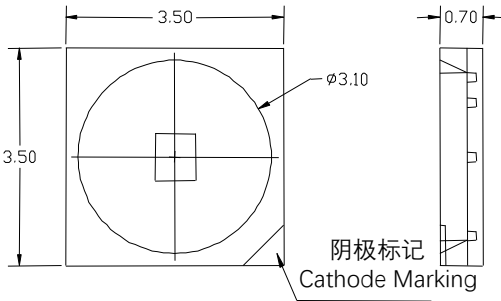
汽车信号灯
(指示灯等)

Automobile signal lamp
(Indicator Light, etc.)



Packing Unit

2000 pcs / Reel



| 技术资料 / Technical Data | HVD-3535MHB |
|--|-----------------|
| 发光颜色 / Emission Color | Blue |
| 主波长 / Dominant Wavelength | ● 449 – 460 nm |
| 光通量 / Luminous Flux | 50 lm – 90 lm |
| 典型电压 / Voltage (typ.) | 3.30 V |
| 典型电流 / Current (typ.) | 1400 mA |
| 封装 / Package | 3.5 x 3.5 x 0.7 |
| 发光角度 / View Angle at 50% I _v (typ.) | 120° |
| 湿气等级 / Moisture Sensitivity Level | 2 |
| 订购型号参考 / Order Number Reference | |
| HVD-3535MHB-4B4E-B1B2-1 | |

EMC:Epoxy Molding Compound 3535 Series

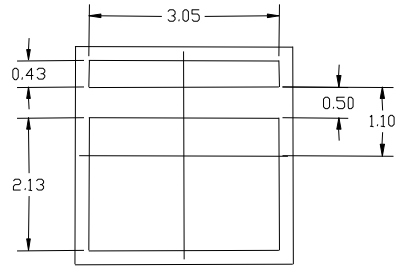
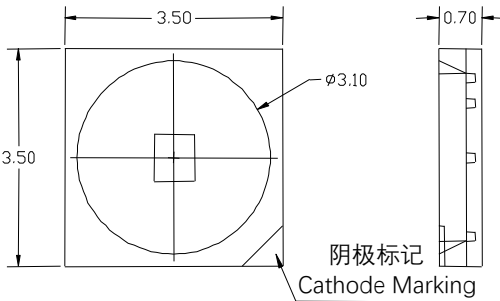
汽车信号灯
(指示灯等)

Automobile signal lamp
(Indicator Light, etc.)



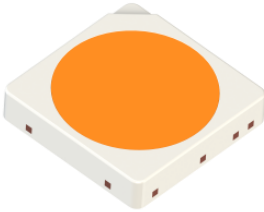
Packing Unit

2000 pcs / Reel



| 技术资料 / Technical Data | HVD-3535MGB |
|--|-----------------|
| 发光颜色 / Emission Color | Blue |
| 主波长 / Dominant Wavelength | ● 449 – 460 nm |
| 光通量 / Luminous Flux | 25 lm – 45 lm |
| 典型电压 / Voltage (typ.) | 3.25 V |
| 典型电流 / Current (typ.) | 700 mA |
| 封装 / Package | 3.5 x 3.5 x 0.7 |
| 发光角度 / View Angle at 50% I _v (typ.) | 120° |
| 湿气等级 / Moisture Sensitivity Level | 2 |
| 订购型号参考 / Order Number Reference | |
| HVD-3535MGB-4B4E-B1B2-1 | |

EMC:Epoxy Molding Compound 3535 Series

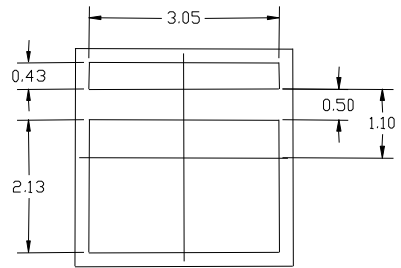
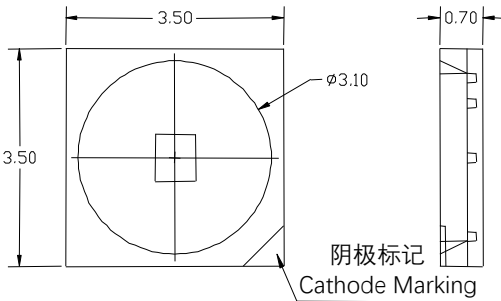


汽车信号灯
(指示灯等)

Automobile signal lamp
(Indicator Light, etc.)

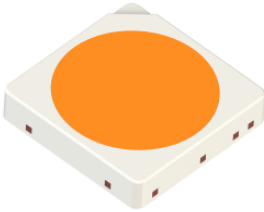
Packing Unit

2000 pcs / Reel



| 技术资料 / Technical Data | HVCY-3535MGS |
|--|---|
| 发光颜色 / Emission Color | Color on demand Yellow |
| 典型色坐标 / Color acc. to CIE 1931 (typ.) | ● 0.57, 0.42 (typ.) |
| 光通量 / Luminous Flux | 71 lm – 112 lm |
| 典型电压 / Voltage (typ.) | 3.25 V |
| 典型电流 / Current (typ.) | 350 mA |
| 封装 / Package | 3.5 x 3.5 x 0.7 |
| 发光角度 / View Angle at 50% I _v (typ.) | 120° |
| 湿气等级 / Moisture Sensitivity Level | 2 |
| 订购型号参考 / Order Number Reference | |
| HVCY-3535MGS-5K8K-5E-1 | |

EMC:Epoxy Molding Compound 3535 Series

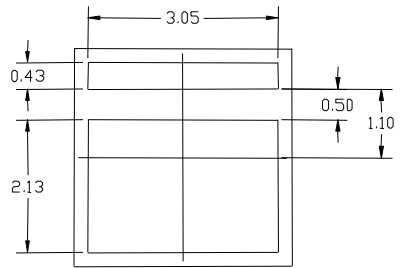
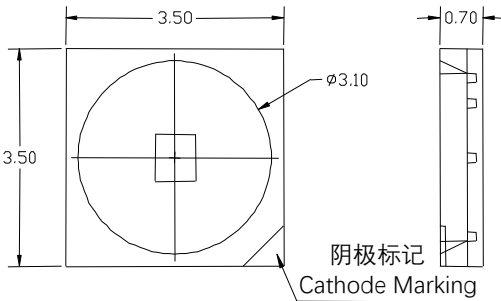


汽车信号灯
(指示灯等)

Automobile signal lamp
(Indicator Light, etc.)

Packing Unit

2000 pcs / Reel

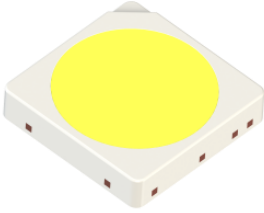


| 技术资料 / Technical Data | HVCY-3535MQS |
|--|------------------------|
| 发光颜色 / Emission Color | Color on demand Yellow |
| 典型色坐标 / Color acc. to CIE 1931 (typ.) | ● 0.57, 0.42 (typ.) |
| 光通量 / Luminous Flux | 33 lm – 52 lm |
| 典型电压 / Voltage (typ.) | 3.00 V |
| 典型电流 / Current (typ.) | 140 mA |
| 封装 / Package | 3.5 x 3.5 x 0.7 |
| 发光角度 / View Angle at 50% I _v (typ.) | 120° |
| 湿气等级 / Moisture Sensitivity Level | 2 |
| 订购型号参考 / Order Number Reference | |
| HVCY-3535MQS-EBFB-5E-1 | |

EMC:Epoxy Molding Compound 3535 Series

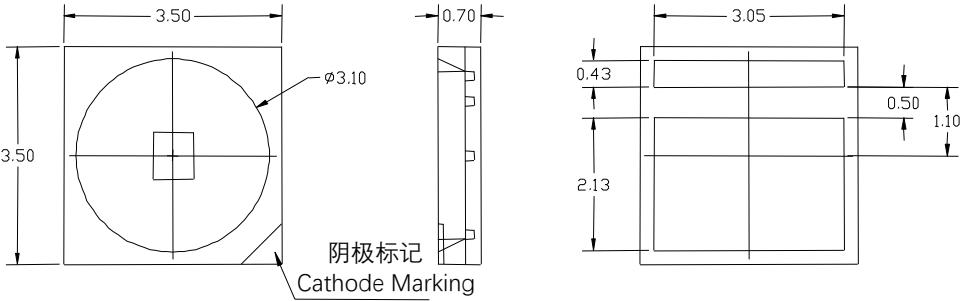
汽车照明、信号灯
(雾灯、日行灯等)

Automobile Lighting and signal lamp
(fog lamp, DRL, etc.)



Packing Unit

2000 pcs / Reel



技术资料 / Technical Data

HVCW-3535MGS

发光颜色 / Emission Color

Color on demand White

典型色坐标 / Color acc. to CIE 1931 (typ.)

○ 0.325, 0.335 (typ.)

光通量 / Luminous Flux

100 lm – 180 lm

典型电压 / Voltage (typ.)

3.25 V

典型电流 / Current (typ.)

350 mA

封装 / Package

3.5 x 3.5 x 0.7

发光角度 / View Angle at 50% Iv (typ.)

120°

湿气等级 / Moisture Sensitivity Level

2

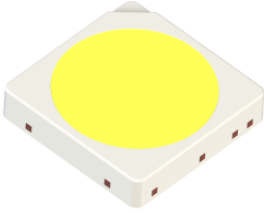
订购型号参考 / Order Number Reference

HVCW-3535MGS-5L8L-ebvF46fcbB46-1

EMC:Epoxy Molding Compound 3535 Series

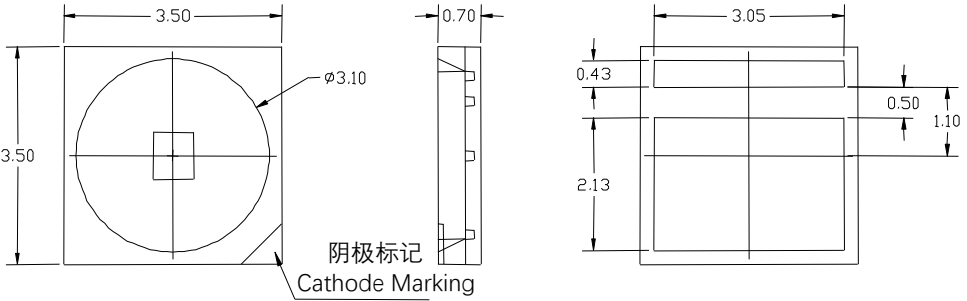
汽车照明、信号灯
(雾灯、日行灯等)

Automobile Lighting and signal lamp
(fog lamp, DRL, etc.)



Packing Unit

2000 pcs / Reel



| 技术资料 / Technical Data | HVCW-3535MQS |
|---------------------------------------|-----------------------|
| 发光颜色 / Emission Color | Color on demand White |
| 典型色坐标 / Color acc. to CIE 1931 (typ.) | ○ 0.33, 0.33 (typ.) |
| 光通量 / Luminous Flux | 44 lm – 71 lm |
| 典型电压 / Voltage (typ.) | 3.00 V |
| 典型电流 / Current (typ.) | 140 mA |
| 封装 / Package | 3.5 x 3.5 x 0.7 |
| 发光角度 / View Angle at 50% Iv (typ.) | 120° |
| 湿气等级 / Moisture Sensitivity Level | 2 |
| 订购型号参考 / Order Number Reference | |
| HVCW-3535MQS-FAGA-MKNL-1 | |

EMC:Epoxy Molding Compound 3535 Series

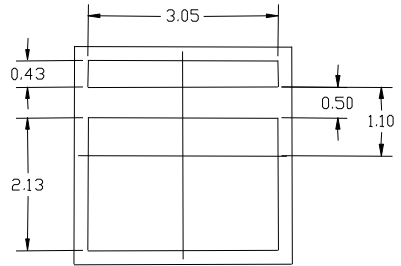
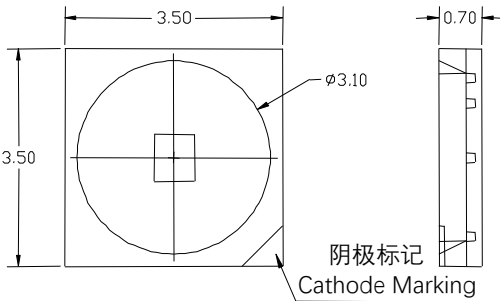
汽车信号灯
(指示灯等)

Automobile signal lamp
(Indicator Light, etc.)



Packing Unit

2000 pcs / Reel



| 技术资料 / Technical Data | HVCT-3535MHP |
|--|---|
| 发光颜色 / Emission Color | Color on demand Green |
| 典型色坐标 / Color acc. to CIE 1931 (typ.) | ● 0.33,0.56 (typ.) |
| 光通量 / Luminous Flux | 570 lm – 760 lm |
| 典型电压 / Voltage (typ.) | 3.30 V |
| 典型电流 / Current (typ.) | 1400 mA |
| 封装 / Package | 3.5 x 3.5 x 0.7 |
| 发光角度 / View Angle at 50% I _v (typ.) | 120° |
| 湿气等级 / Moisture Sensitivity Level | 2 |
| 订购型号参考 / Order Number Reference | |
| HVCT-3535MHP-2E2H-1-1 | |

EMC:Epoxy Molding Compound 3535 Series

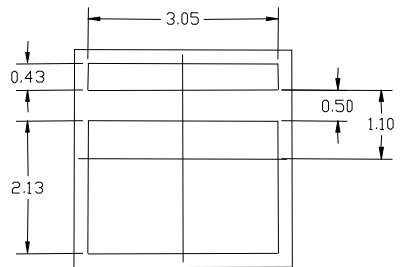
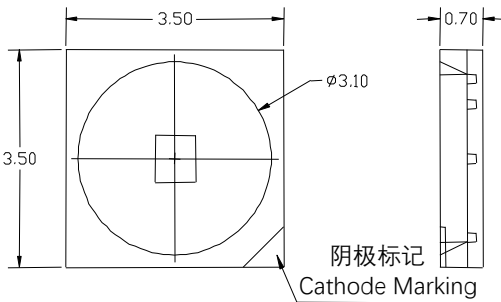
汽车信号灯
(指示灯等)

Automobile signal lamp
(Indicator Light, etc.)



Packing Unit

2000 pcs / Reel




技术资料 / Technical Data

HVCT-3535MGP

发光颜色 / Emission Color

Color on demand Green

典型色坐标 / Color acc. to CIE 1931 (typ.)

 0.33,0.56 (typ.)

光通量 / Luminous Flux

285 lm – 380 lm

典型电压 / Voltage (typ.)

3.25 V

典型电流 / Current (typ.)

700 mA

封装 / Package

3.5 x 3.5 x 0.7

发光角度 / View Angle at 50% I_v (typ.)

120°

湿气等级 / Moisture Sensitivity Level

2

订购型号参考 / Order Number Reference

HVCT-3535MGP-2E2H-1-1

EMC:Epoxy Molding Compound 3735 Series

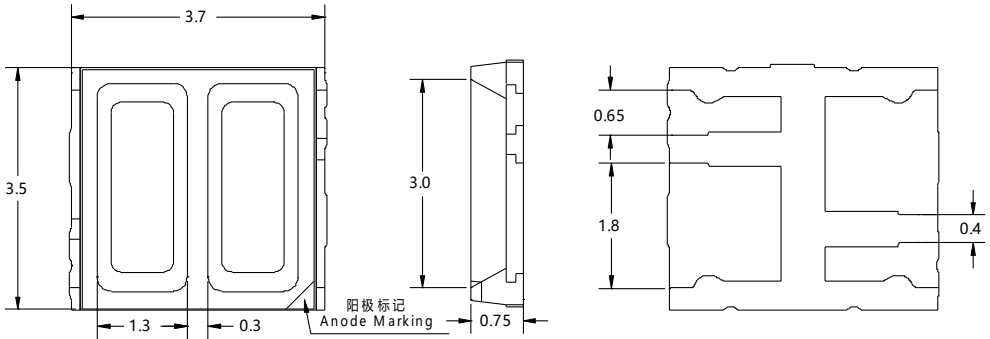


汽车信号灯
(尾灯、指示灯等)

Automobile signal lamp
(Rear Light, Indicator Light, etc.)

Packing Unit

2000 pcs / Reel



技术资料 / Technical Data

HVRY-3735YEBA.140

发光颜色 / Emission Color

Red

Yellow

主波长 / Dominant Wavelength

● 620 – 630 nm

● 583 – 595 nm

光通量 / Luminous Flux

22.4 lm – 40 lm

28 lm – 52 lm

典型电压 / Voltage (typ.)

2.15 V

典型电流 / Current (typ.)

140mA

封装 / Package

3.7*3.5*.075

发光角度 / View Angle at 50% I_v (typ.)

120°

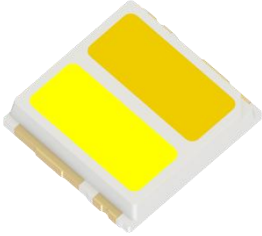
湿气等级 / Moisture Sensitivity Level

2

订购型号参考 / Order Number Reference

HVRY-3735YEBA.140-7G7H-1+7G7H-36-1

EMC:Epoxy Molding Compound 3735 Series

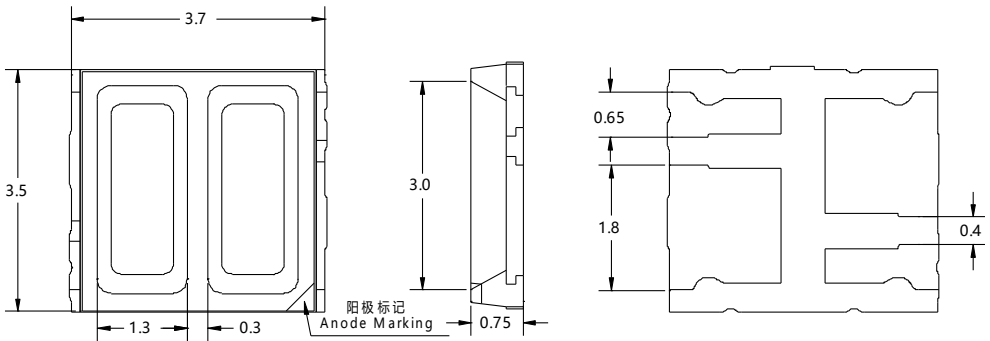


汽车信号灯
(尾灯、指示灯等)

Automobile signal lamp
(Rear Light, Indicator Light, etc.)

Packing Unit

2000 pcs / Reel



技术资料 / Technical Data

HVCYCW-3735YESA.140

发光颜色 / Emission Color

White

Yellow

典型色坐标 / Color acc. to CIE 1931 (typ.) ○ 0.325, 0.335 (typ.) ● 0.57, 0.42 (typ.)

光通量 / Luminous Flux

33 lm – 61 lm

45 lm – 82 lm

典型电压 / Voltage (typ.)

3.30 V

典型电流 / Current (typ.)

140mA

封装 / Package

3.7*3.5*.075

发光角度 / View Angle at 50% Iv (typ.)

120°

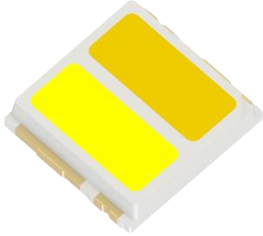
湿气等级 / Moisture Sensitivity Level

2

订购型号参考 / Order Number Reference

HVCYCW-3735YESA.140-HYJY-JKQL+JXKX-5E-1

EMC:Epoxy Molding Compound 3735 Series



汽车信号灯

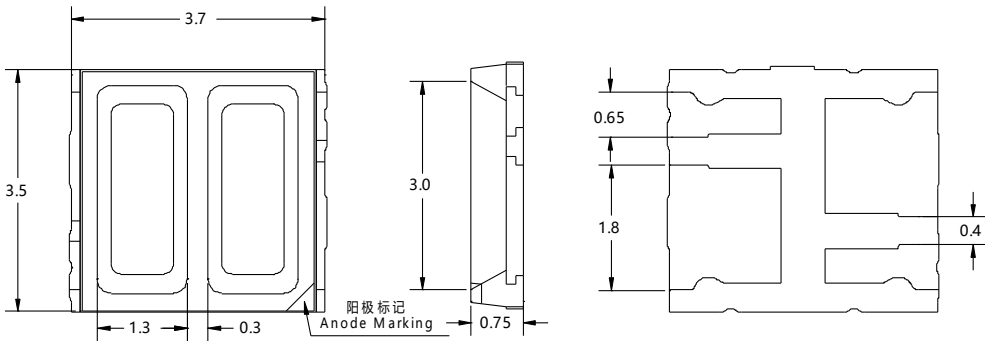
(尾灯、指示灯等)

Automobile signal lamp

(Rear Light, Indicator Light, etc.)

Packing Unit

2000 pcs / Reel



技术资料 / Technical Data

HVCYCW-3735YQSA.140

发光颜色 / Emission Color

White

Yellow

典型色坐标 / Color acc. to CIE 1931 (typ.) ○ 0.325, 0.335 (typ.) ● 0.57, 0.42 (typ.)

光通量 / Luminous Flux

33 lm – 61 lm

45 lm – 82 lm

典型电压 / Voltage (typ.)

3.30 V

典型电流 / Current (typ.)

140mA

封装 / Package

3.7*3.5*.075

发光角度 / View Angle at 50% Iv (typ.)

120°

湿气等级 / Moisture Sensitivity Level

2

订购型号参考 / Order Number Reference

HVCYCW-3735YQSA.140-HYJY-JKQL+JXKX-5E-1

EMC:Epoxy Molding Compound 3735 Series

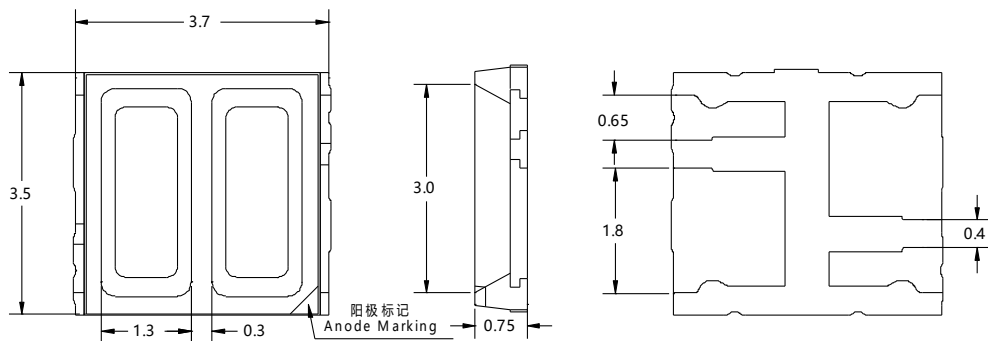


汽车信号灯
(尾灯、指示灯等)

Automobile signal lamp
(Rear Light, Indicator Light, etc.)

Packing Unit

2000 pcs / Reel



技术资料 / Technical Data

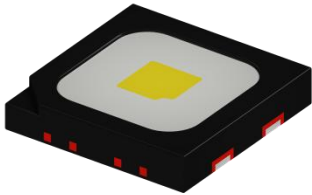
HVSCW-3735YESA.140

| | | |
|------------------------------------|---------------|-----------------------|
| 发光颜色 / Emission Color | SuperRed | White |
| 主波长&典型色坐标 / DW&CIE | ● 627-639nm | ○ 0.325, 0.335 (typ.) |
| 光通量 / Luminous Flux | 15 lm – 28 lm | 45 lm – 82 lm |
| 典型电压 / Voltage (typ.) | 2.15 V | 3.30 V |
| 典型电流 / Current (typ.) | 140mA | |
| 封装 / Package | 3.7*3.5*.075 | |
| 发光角度 / View Angle at 50% Iv (typ.) | 120° | |
| 湿气等级 / Moisture Sensitivity Level | 2 | |

订购型号参考 / Order Number Reference

HVSCW-3737YESA.140-FZGZ-12+JXKX-FK0PN0-1

HBF: HongLi Black Flat Series



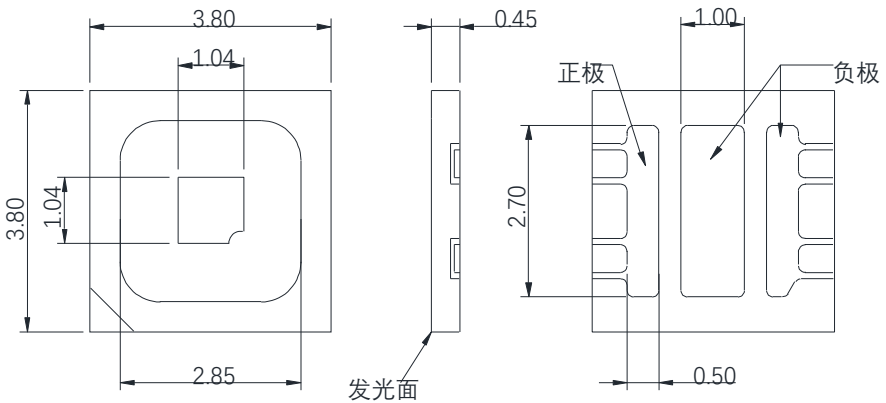
汽车照明、信号灯

(远近光灯、雾灯、日行灯等)

Automobile Lighting and signal lamp
(High & Low light, fog lamp, DRL, etc.)

Packing Unit

2000pcs / Reel



技术资料 / Technical Data

HVCW-3838HHP

发光颜色 / Emission Color

Color on demand White

典型色坐标 / Color acc. to CIE 1931 (typ.)

○ 0.32, 0.33 (typ.)

光通量 / Luminous Flux

250 lm – 400 lm

典型电压 / Voltage (typ.)

3.05 V

典型电流 / Current (typ.)

1000 mA

封装 / Package

3.8 x 3.8 x 0.45

发光角度 / View Angle at 50% Iv (typ.)

120°

防潮等级 / Moisture Sensitivity Level

2

订购型号参考 / Order Number Reference

HVCW-3838HHP-8M7N-ebvF46fcbB46-1

HBF: HongLi Black Flat Series

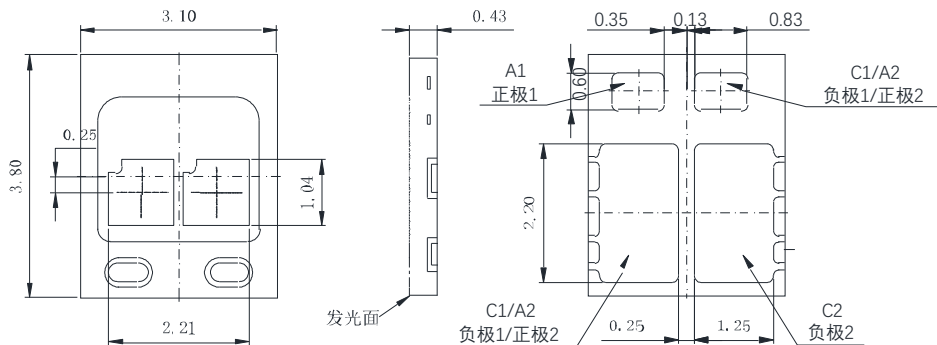
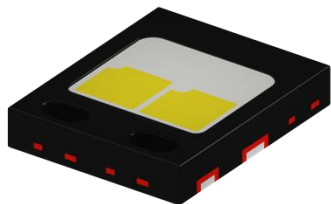
汽车照明、信号灯

(远近光灯、雾灯、日行灯等)

Automobile Lighting and signal lamp (High & Low light, fog lamp, DRL, etc.)

Packing Unit

2000pcs / Reel



技术资料 / Technical Data

HVCW-3138H2P

发光颜色 / Emission Color

Color on demand White

典型色坐标 / Color acc. to CIE 1931 (typ.)

○ 0.32, 0.33 (typ.)

光通量 / Luminous Flux

500 lm-900 lm

典型电压 / Voltage (typ.)

6.20 V

典型电流 / Current (typ.)

1000 mA

封装 / Package

3.1 x 3.8 x 0.45

发光角度 / View Angle at 50% Iv (typ.)

120°

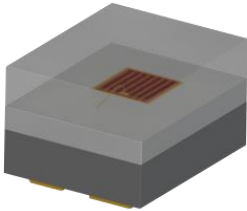
防潮等级 / Moisture Sensitivity Level

2

订购型号参考 / Order Number Reference

HVCW-3138H2P-6P6Q-ebvF46fcbB46-1

Compact: Ceramics 1613 Series



汽车信号灯

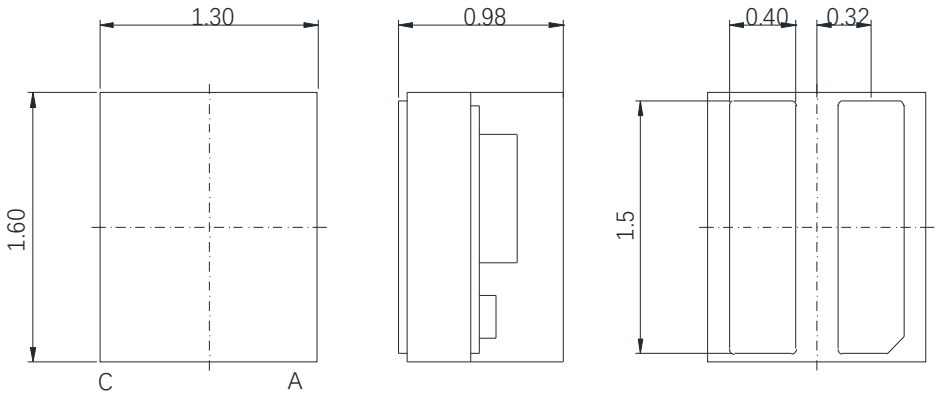
(尾灯、制动灯、指示灯等)

Automobile signal lamp

(Rear Light, Stop Light, Indicator Light, etc.)

Packing Unit

3000 pcs / Reel



技术资料 / Technical Data

HVS-1613TGC

发光颜色 / Emission Color

Super red

主波长 / Dominant Wavelength

● 627-639 nm

光通量 / Luminous Flux

39 lm – 71 lm

典型电压 / Voltage (typ.)

2.45 V

典型电流 / Current (typ.)

350mA

封装 / Package

1.6 x 1.3 x 0.98

发光角度 / View Angle at 50% I_v (typ.)

120°

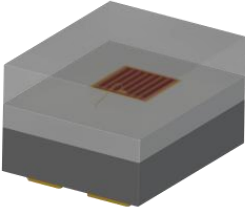
防潮等级 / Moisture Sensitivity Level

2

订购型号参考 / Order Number Reference

HVS-1613TGC-HYJY-1-1

Compact: Ceramics 1613 Series



汽车信号灯

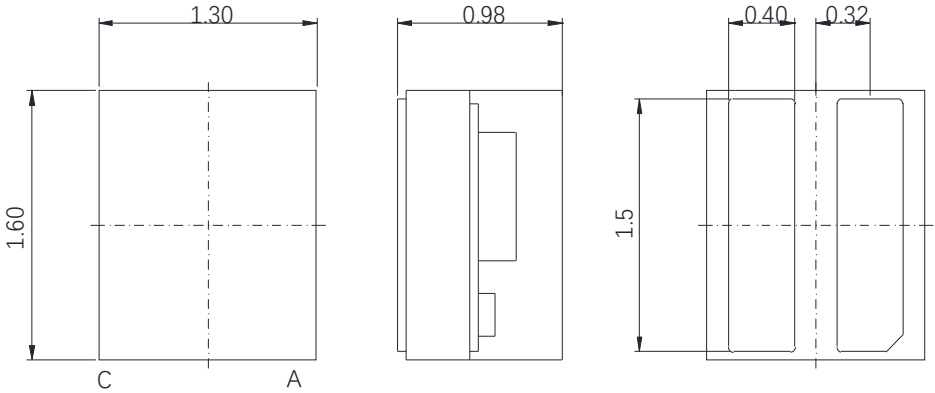
(尾灯、制动灯、指示灯等)

Automobile signal lamp

(Rear Light, Stop Light, Indicator Light, etc.)

Packing Unit

3000 pcs / Reel



技术资料 / Technical Data

HVS-1613TQC

发光颜色 / Emission Color

Super red

主波长 / Dominant Wavelength

● 627-639 nm

光通量 / Luminous Flux

10 lm – 30 lm

典型电压 / Voltage (typ.)

2.15 V

典型电流 / Current (typ.)

140mA

封装 / Package

1.6 x 1.3 x 0.98

发光角度 / View Angle at 50% I_v (typ.)

120°

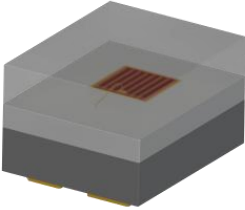
防潮等级 / Moisture Sensitivity Level

2

订购型号参考 / Order Number Reference

HVS-1613TQC-CBEB-1-1

Compact: Ceramics 1613 Series



汽车信号灯

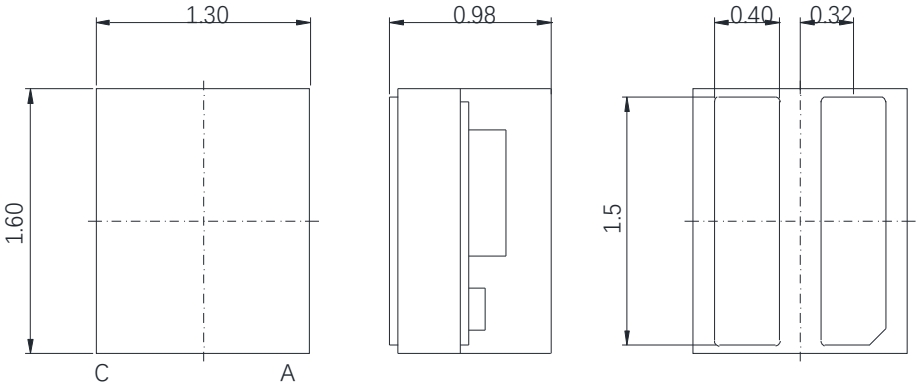
(尾灯、制动灯、指示灯等)

Automobile signal lamp

(Rear Light, Stop Light, Indicator Light, etc.)

Packing Unit

3000 pcs / Reel



技术资料 / Technical Data

HVR-1613TGC

发光颜色 / Emission Color

Red

主波长 / Dominant Wavelength

● 616-630 nm

光通量 / Luminous Flux

45 lm – 97 lm

典型电压 / Voltage (typ.)

2.45 V

典型电流 / Current (typ.)

350mA

封装 / Package

1.6 x 1.3 x 0.98

发光角度 / View Angle at 50% I_v (typ.)

120°

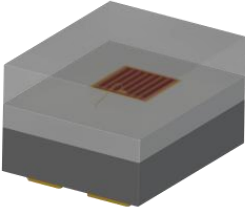
防潮等级 / Moisture Sensitivity Level

2

订购型号参考 / Order Number Reference

HVR-1613TGC-JXKY-36-1

Compact: Ceramics 1613 Series



汽车信号灯

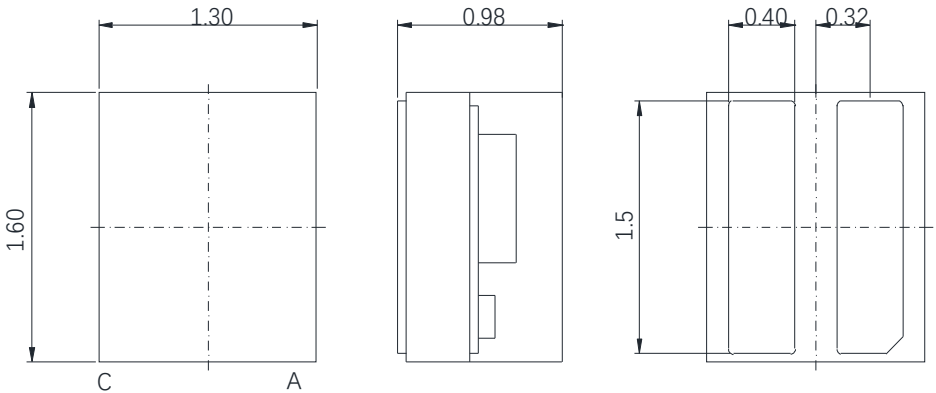
(尾灯、制动灯、指示灯等)

Automobile signal lamp

(Rear Light, Stop Light, Indicator Light, etc.)

Packing Unit

3000 pcs / Reel



技术资料 / Technical Data

HVR-1613TQC

发光颜色 / Emission Color

Red

主波长 / Dominant Wavelength

● 620-630 nm

光通量 / Luminous Flux

10 lm – 30 lm

典型电压 / Voltage (typ.)

2.15 V

典型电流 / Current (typ.)

140mA

封装 / Package

1.6 x 1.3 x 0.98

发光角度 / View Angle at 50% I_v (typ.)

120°

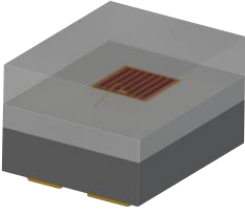
防潮等级 / Moisture Sensitivity Level

2

订购型号参考 / Order Number Reference

HVR-1613TQC-CBEB-46-1

Compact: Ceramics 1613 Series



汽车信号灯

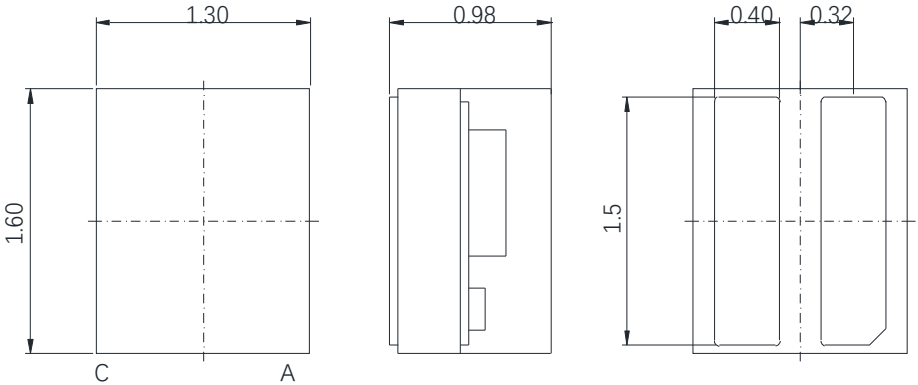
(尾灯、制动灯、指示灯等)

Automobile signal lamp

(Rear Light, Stop Light, Indicator Light, etc.)

Packing Unit

3000 pcs / Reel



技术资料 / Technical Data

HVA-1613TGC

发光颜色 / Emission Color

Amber

主波长 / Dominant Wavelength

● 612-624 nm

光通量 / Luminous Flux

45 lm – 97 lm

典型电压 / Voltage (typ.)

2.45 V

典型电流 / Current (typ.)

350mA

封装 / Package

1.6 x 1.3 x 0.98

发光角度 / View Angle at 50% I_v (typ.)

120°

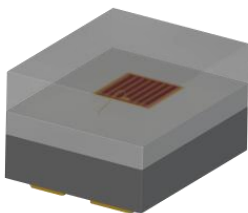
防潮等级 / Moisture Sensitivity Level

2

订购型号参考 / Order Number Reference

HVA-1613TGC-JYKY-24-1

Compact: Ceramics 1613 Series



汽车信号灯

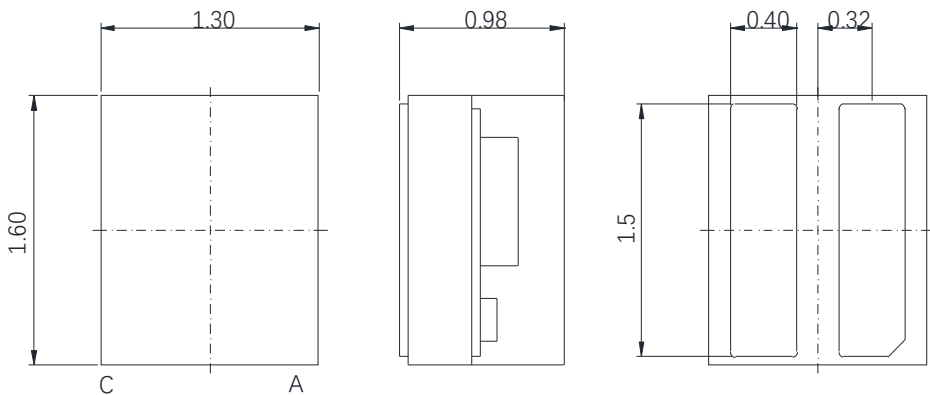
(尾灯、制动灯、指示灯等)

Automobile signal lamp

(Rear Light, Stop Light, Indicator Light, etc.)

Packing Unit

3000 pcs / Reel



技术资料 / Technical Data

HVA-1613TQC

发光颜色 / Emission Color

Amber

主波长 / Dominant Wavelength

● 612-624 nm

光通量 / Luminous Flux

14 lm – 34 lm

典型电压 / Voltage (typ.)

2.15 V

典型电流 / Current (typ.)

140mA

封装 / Package

1.6 x 1.3 x 0.98

发光角度 / View Angle at 50% I_v (typ.)

120°

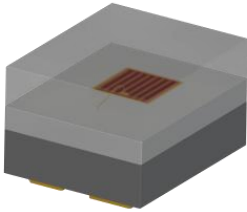
防潮等级 / Moisture Sensitivity Level

2

订购型号参考 / Order Number Reference

HVA-1613TQC-DAFA-24-1

Compact: Ceramics 1613 Series



汽车信号灯

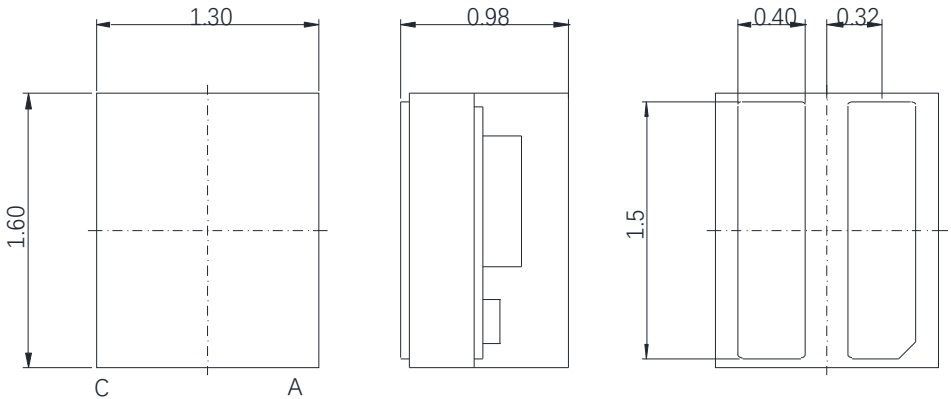
(尾灯、转向灯、指示灯等)

Automobile signal lamp

(Rear Light, Turn Light, Indicator Light, etc.)

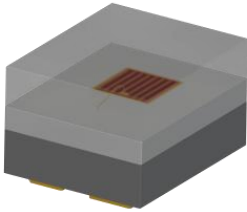
Packing Unit

3000 pcs / Reel



| 技术资料 / Technical Data | HVY-1613TGC |
|--|--|
| 发光颜色 / Emission Color | Yellow |
| 主波长 / Dominant Wavelength | ● 583-595 nm |
| 光通量 / Luminous Flux | 52 lm – 97 lm |
| 典型电压 / Voltage (typ.) | 2.30 V |
| 典型电流 / Current (typ.) | 350mA |
| 封装 / Package | 1.6 x 1.3 x 0.98 |
| 发光角度 / View Angle at 50% I _v (typ.) | 120° |
| 防潮等级 / Moisture Sensitivity Level | 2 |
| 订购型号参考 / Order Number Reference | |
| HVY-1613TGC-JYKY-36-1 | |

Compact: Ceramics 1613 Series



汽车信号灯

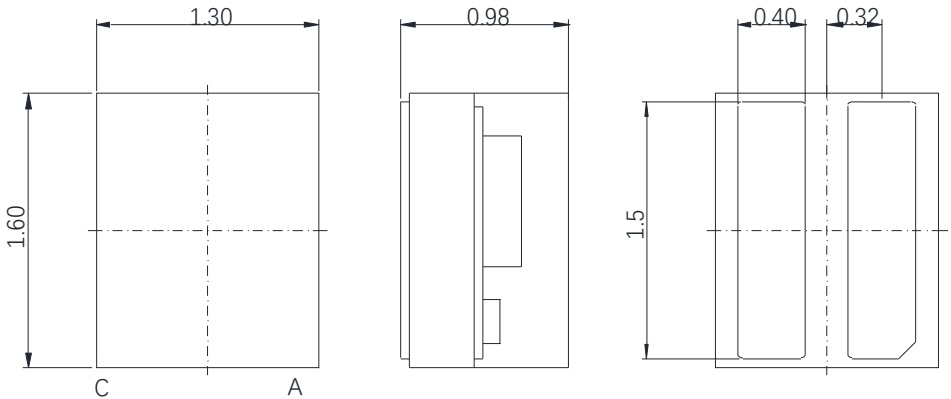
(尾灯、转向灯、指示灯等)

Automobile signal lamp

(Rear Light, Turn Light, Indicator Light, etc.)

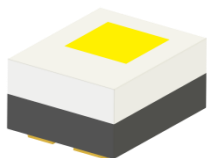
Packing Unit

3000 pcs / Reel



| 技术资料 / Technical Data | HVY-1613TQC |
|--|--|
| 发光颜色 / Emission Color | Yellow |
| 主波长 / Dominant Wavelength | ● 583-595 nm |
| 光通量 / Luminous Flux | 10 lm – 34 lm |
| 典型电压 / Voltage (typ.) | 2.25 V |
| 典型电流 / Current (typ.) | 140mA |
| 封装 / Package | 1.6 x 1.3 x 0.98 |
| 发光角度 / View Angle at 50% I _v (typ.) | 120° |
| 防潮等级 / Moisture Sensitivity Level | 2 |
| 订购型号参考 / Order Number Reference | |
| HVY-1613TQC-CBFA-36-1 | |

Compact: Ceramics 1613 Series



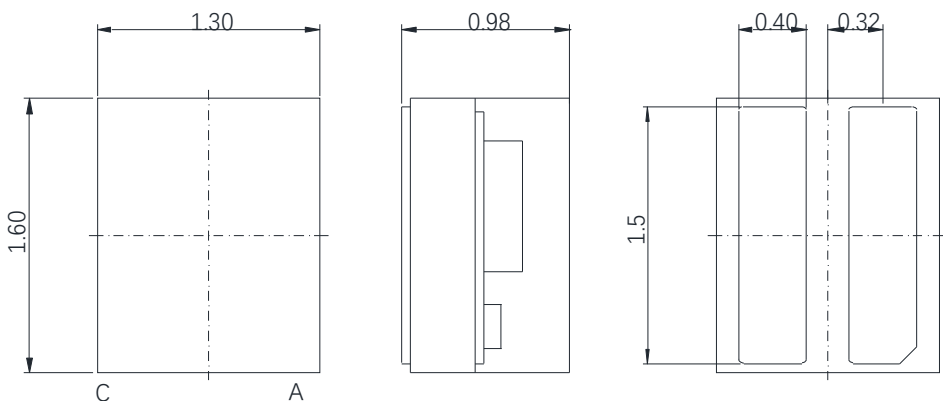
汽车照明、信号灯

(远近光灯、雾灯、日行灯等)

Automobile Lighting and signal lamp (High & Low light, fog lamp, DRL, etc.)

Packing Unit

3000 pcs / Reel



技术资料 / Technical Data

HVCW-1613TGP

发光颜色 / Emission Color

Color on demand White

典型色坐标 / Color acc. to CIE 1931 (typ.)

○ 0.325, 0.335 (typ.)

光通量 / Luminous Flux

90 lm – 159 lm

典型电压 / Voltage (typ.)

3.05 V

典型电流 / Current (typ.)

350mA

封装 / Package

1.6 x 1.3 x 0.98

发光角度 / View Angle at 50% Iv (typ.)

120°

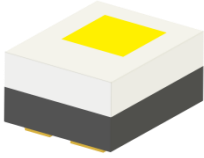
防潮等级 / Moisture Sensitivity Level

2

订购型号参考 / Order Number Reference

HVCW-1613TGP-7K7L-ebvF46fcbB46-1

Compact: Ceramics 1613 Series



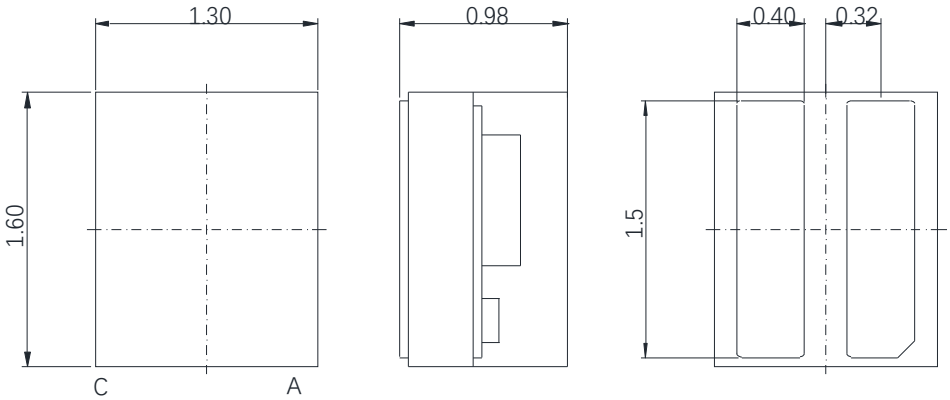
汽车照明、信号灯


(远近光灯、雾灯、日行灯等)

Automobile Lighting and signal lamp (High & Low light, fog lamp, DRL, etc.)

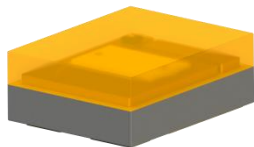
Packing Unit

3000 pcs / Reel



| 技术资料 / Technical Data | HVCY-1613TGP |
|---------------------------------------|---|
| 发光颜色 / Emission Color | Color on demand Yellow |
| 典型色坐标 / Color acc. to CIE 1931 (typ.) |  0.57, 0.42 (typ.) |
| 光通量 / Luminous Flux | 90 lm – 159 lm |
| 典型电压 / Voltage (typ.) | 3.05 V |
| 典型电流 / Current (typ.) | 350mA |
| 封装 / Package | 1.6 x 1.3 x 0.98 |
| 发光角度 / View Angle at 50% Iv (typ.) | 120° |
| 防潮等级 / Moisture Sensitivity Level | 2 |
| 订购型号参考 / Order Number Reference | |
| HVCY-1613TGP-7K7L-5E-1 | |

Compact: Ceramics 1613 Series



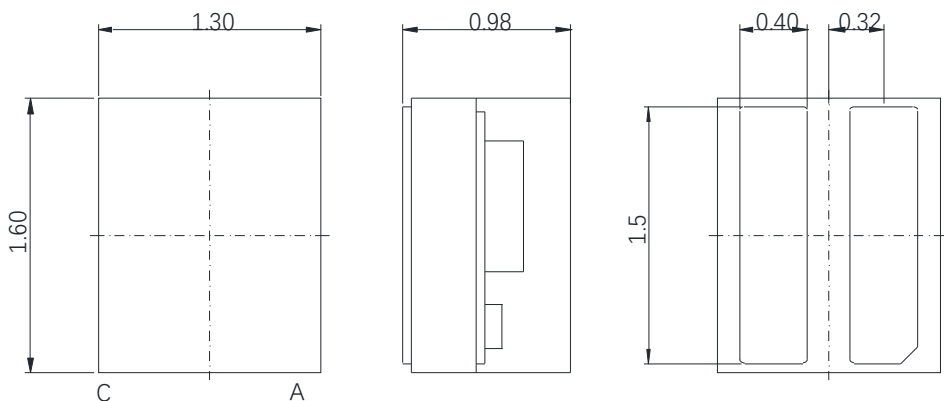
汽车照明、信号灯

(远近光灯、雾灯、日行灯等)

Automobile Lighting and signal lamp (High & Low light, fog lamp, DRL, etc.)

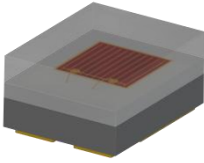
Packing Unit

3000 pcs / Reel



| 技术资料 / Technical Data | HVCY-1613TEX |
|---------------------------------------|------------------------|
| 发光颜色 / Emission Color | Color on demand Yellow |
| 典型色坐标 / Color acc. to CIE 1931 (typ.) | ● 0.57, 0.42 (typ.) |
| 光通量 / Luminous Flux | 28 lm – 52 lm |
| 典型电压 / Voltage (typ.) | 3.00 V |
| 典型电流 / Current (typ.) | 150mA |
| 封装 / Package | 1.6 x 1.3 x 0.98 |
| 发光角度 / View Angle at 50% Iv (typ.) | 120° |
| 防潮等级 / Moisture Sensitivity Level | 2 |
| 订购型号参考 / Order Number Reference | |
| HVCY-1613TEX-HXJX-5E-1 | |

Compact: Ceramics 2016 Series



汽车信号灯

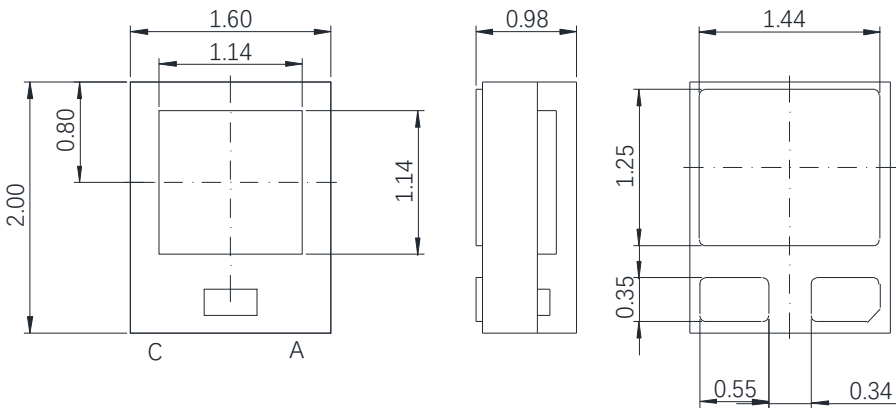
(尾灯、制动灯、指示灯等)

Automobile signal lamp

(Rear Light, Stop Light, Indicator Light, etc.)

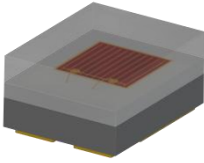
Packing Unit

3000 pcs / Reel



| 技术资料 / Technical Data | HVS-2016TGC |
|--|---|
| 发光颜色 / Emission Color | Super red |
| 主波长 / Dominant Wavelength | ● 627 – 639 nm |
| 光通量 / Luminous Flux | 100 lm – 180 lm |
| 典型电压 / Voltage (typ.) | 2.55 V |
| 典型电流 / Current (typ.) | 700 mA |
| 封装 / Package | 2.0 x 1.6 x 0.98 |
| 发光角度 / View Angle at 50% I _v (typ.) | 120° |
| 防潮等级 / Moisture Sensitivity Level | 2 |
| 订购型号参考 / Order Number Reference | HVS-2016TGC-8K8L-1-1 |

Compact: Ceramics 2016 Series



汽车信号灯

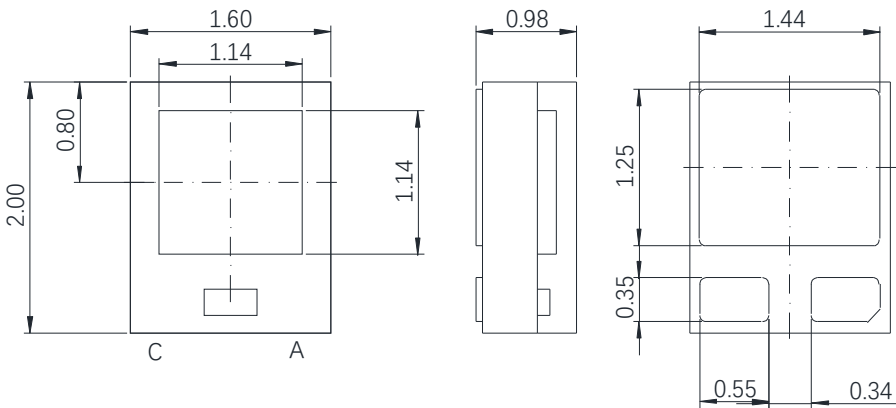
(尾灯、制动灯、指示灯等)

Automobile signal lamp

(Rear Light, Stop Light, Indicator Light, etc.)

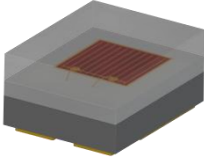
Packing Unit

3000 pcs / Reel



| 技术资料 / Technical Data | HVR-2016TGC |
|--|---|
| 发光颜色 / Emission Color | Red |
| 主波长 / Dominant Wavelength | ● 620 – 630 nm |
| 光通量 / Luminous Flux | 100 lm – 180 lm |
| 典型电压 / Voltage (typ.) | 2.55 V |
| 典型电流 / Current (typ.) | 700 mA |
| 封装 / Package | 2.0 x 1.6 x 0.98 |
| 发光角度 / View Angle at 50% I _v (typ.) | 120° |
| 防潮等级 / Moisture Sensitivity Level | 2 |
| 订购型号参考 / Order Number Reference | HVR-2016TGC-8K8L-1-1 |

Compact: Ceramics 2016 Series



汽车信号灯

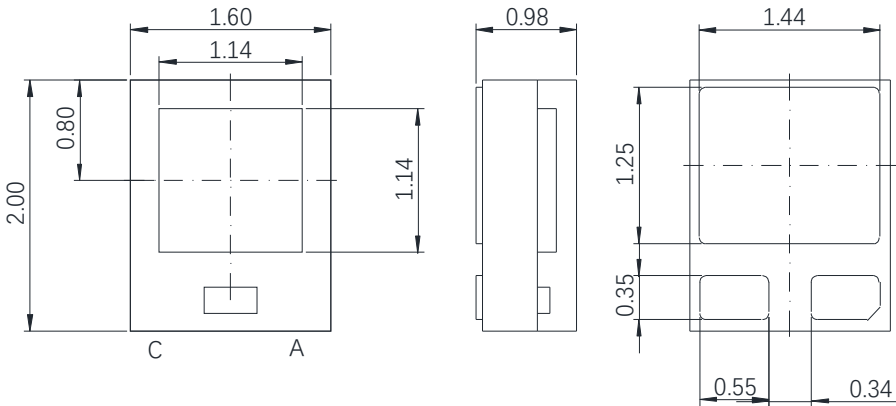
(尾灯、制动灯、指示灯等)

Automobile signal lamp

(Rear Light, Stop Light, Indicator Light, etc.)

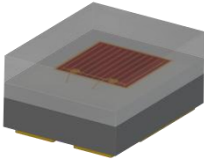
Packing Unit

3000 pcs / Reel



| 技术资料 / Technical Data | HVA-2016TGC |
|--|---|
| 发光颜色 / Emission Color | Amber |
| 主波长 / Dominant Wavelength | ● 612 – 624 nm |
| 光通量 / Luminous Flux | 100 lm – 180 lm |
| 典型电压 / Voltage (typ.) | 2.55 V |
| 典型电流 / Current (typ.) | 700 mA |
| 封装 / Package | 2.0 x 1.6 x 0.98 |
| 发光角度 / View Angle at 50% I _v (typ.) | 120° |
| 防潮等级 / Moisture Sensitivity Level | 2 |
| 订购型号参考 / Order Number Reference | |
| HVA-2016TGC-8K8L-24-1 | |

Compact: Ceramics 2016 Series



汽车信号灯

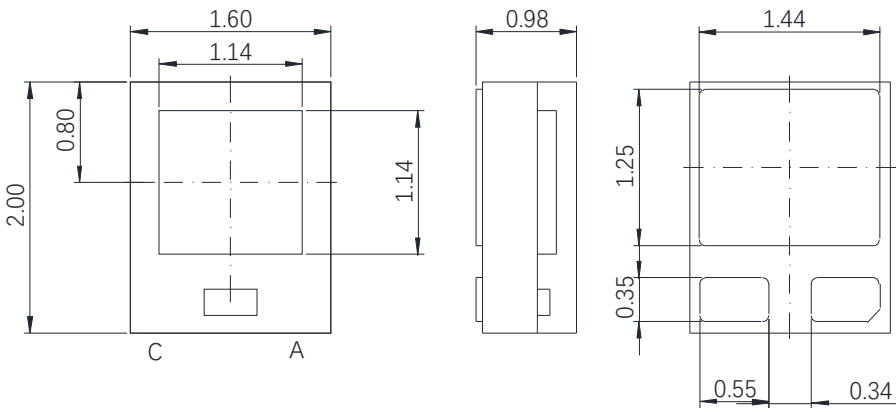
(尾灯、制动灯、指示灯等)


Automobile signal lamp

(Rear Light, Stop Light, Indicator Light, etc.)

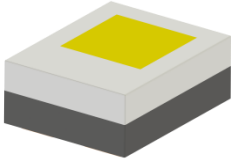
Packing Unit

3000 pcs / Reel



| 技术资料 / Technical Data | HVY-2016TGC |
|--|---|
| 发光颜色 / Emission Color | Yellow |
| 主波长 / Dominant Wavelength |  583– 595 nm |
| 光通量 / Luminous Flux | 90 lm – 159 lm |
| 典型电压 / Voltage (typ.) | 2.55 V |
| 典型电流 / Current (typ.) | 700 mA |
| 封装 / Package | 2.0 x 1.6 x 0.98 |
| 发光角度 / View Angle at 50% I _v (typ.) | 120° |
| 防潮等级 / Moisture Sensitivity Level | 2 |
| 订购型号参考 / Order Number Reference | |
| HVY-2016TGC-7K7L-36-1 | |

Compact: Ceramics 2016 Series



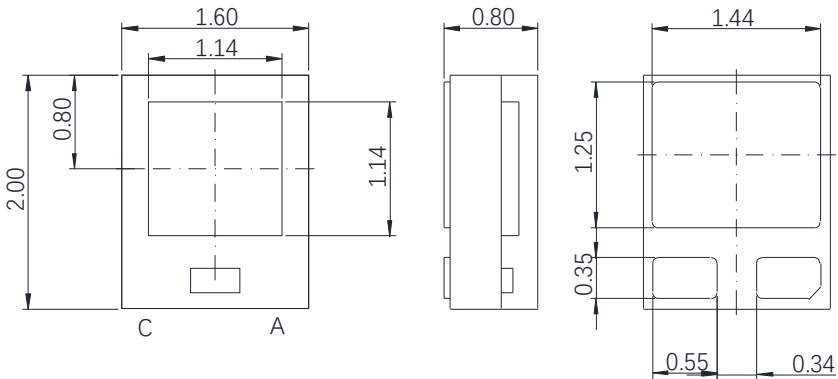
汽车照明、信号灯

(远近光灯、雾灯、日行灯等)

Automobile Lighting and signal lamp (High & Low light, fog lamp, DRL, etc.)

Packing Unit

3000 pcs / Reel



技术资料 / Technical Data

HVCW-2016THP

发光颜色 / Emission Color

Color on demand White

典型色坐标 / Color acc. to CIE 1931 (typ.)

○ 0.325, 0.335 (typ.)

光通量 / Luminous Flux

280 lm – 400 lm

典型电压 / Voltage (typ.)

3.05 V

典型电流 / Current (typ.)

1000 mA

封装 / Package

2.0 x 1.6 x 0.8

发光角度 / View Angle at 50% I_v (typ.)

120°

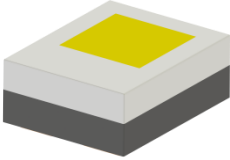
湿气等级 / Moisture Sensitivity Level

2

订购型号参考 / Order Number Reference

HVCW-2016THP-5N7N-ebvF46fcbB46-1

Compact: Ceramics 2016 Series



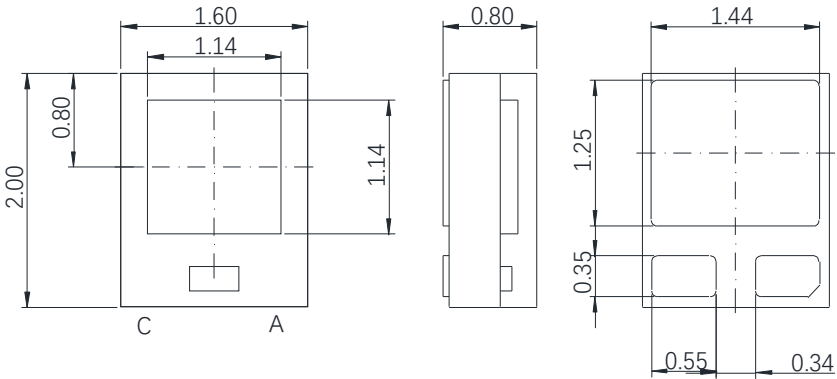
汽车照明、信号灯

(远近光灯、雾灯、日行灯等)

Automobile Lighting and signal lamp (High & Low light, fog lamp, DRL, etc.)

Packing Unit

3000 pcs / Reel



技术资料 / Technical Data

HVCW-2016TTPF

发光颜色 / Emission Color

Color on demand White

典型色坐标 / Color acc. to CIE 1931 (typ.)

○ 0.325, 0.335 (typ.)

光通量 / Luminous Flux

300 lm – 450 lm

典型电压 / Voltage (typ.)

3.05 V

典型电流 / Current (typ.)

1000 mA

封装 / Package

2.0 x 1.6 x 0.8

发光角度 / View Angle at 50% I_v (typ.)

120°

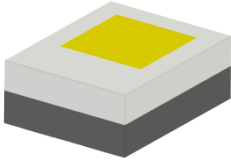
湿气等级 / Moisture Sensitivity Level

2

订购型号参考 / Order Number Reference

HVCW-2016TTPF-N68N-ebvF46fcbB46--1

Compact: Ceramics 2016 Series



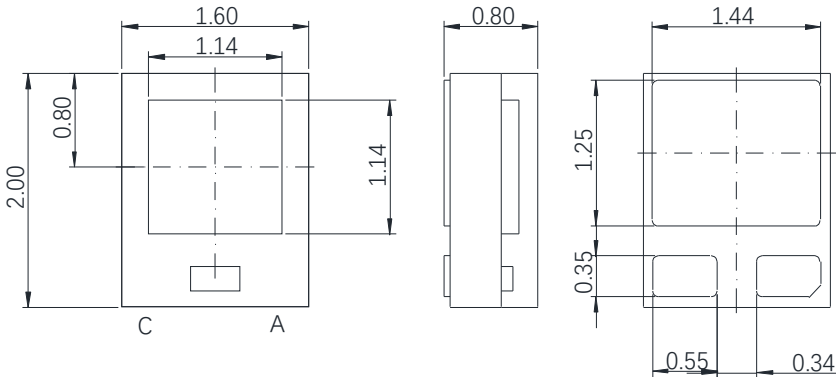
汽车照明、信号灯

(远近光灯、雾灯、日行灯等)

Automobile Lighting and signal lamp (High & Low light, fog lamp, DRL, etc.)

Packing Unit

3000 pcs / Reel



技术资料 / Technical Data

HVCW-2016PHP

发光颜色 / Emission Color

Color on demand White

典型色坐标 / Color acc. to CIE 1931 (typ.)

○ 0.325, 0.335 (typ.)

光通量 / Luminous Flux

280 lm – 450 lm

典型电压 / Voltage (typ.)

3.05 V

典型电流 / Current (typ.)

1000 mA

封装 / Package

2.0 x 1.6 x 0.8

发光角度 / View Angle at 50% I_v (typ.)

120°

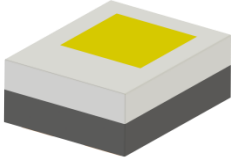
湿气等级 / Moisture Sensitivity Level

2

订购型号参考 / Order Number Reference

HVCW-2016PHP-5N8N-ebvF46fcbB46-1

Compact: Ceramics 2016 Series



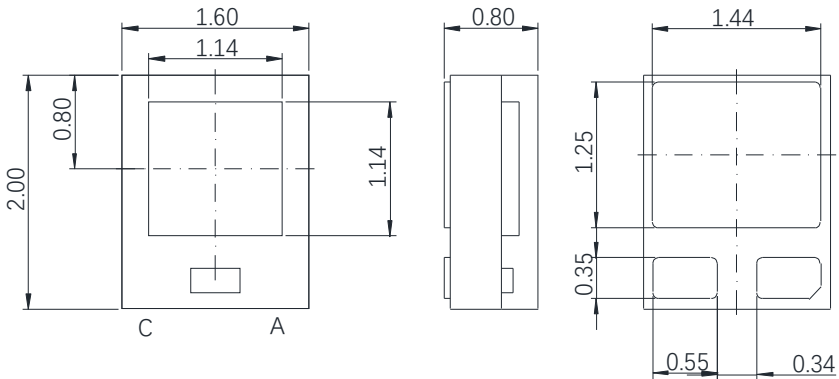
汽车照明、信号灯

(远近光灯、雾灯、日行灯等)

Automobile Lighting and signal lamp (High & Low light, fog lamp, DRL, etc.)

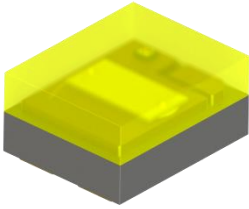
Packing Unit

3000 pcs / Reel



| 技术资料 / Technical Data | HVCW-2016PTPF |
|---------------------------------------|-----------------------|
| 发光颜色 / Emission Color | Color on demand White |
| 典型色坐标 / Color acc. to CIE 1931 (typ.) | ○ 0.325, 0.335 (typ.) |
| 光通量 / Luminous Flux | 300 lm – 450 lm |
| 典型电压 / Voltage (typ.) | 3.05 V |
| 典型电流 / Current (typ.) | 1000 mA |
| 封装 / Package | 2.0 x 1.6 x 0.8 |
| 发光角度 / View Angle at 50% Iv (typ.) | 120° |
| 湿气等级 / Moisture Sensitivity Level | 2 |
| 订购型号参考 / Order Number Reference | |
| HVCW-2016PTPF-N68N-ebvF46fcbB46--1 | |

Compact: Ceramics 2016 Series



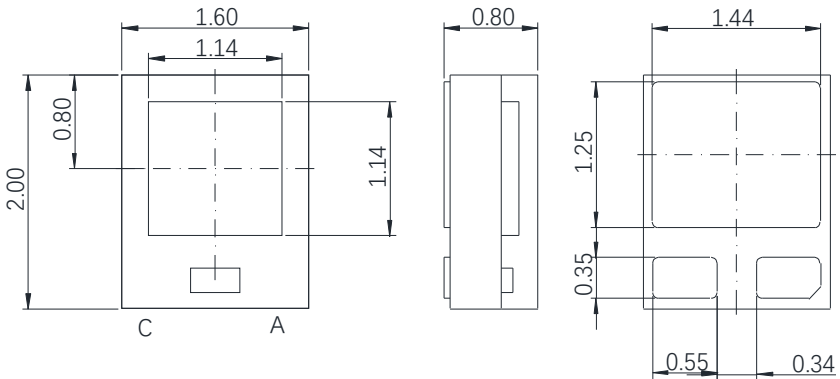
汽车照明、信号灯

(远近光灯、雾灯、日行灯等)

Automobile Lighting and signal lamp (High & Low light, fog lamp, DRL, etc.)

Packing Unit

3000 pcs / Reel



技术资料 / Technical Data

HVCW-2016PHX

发光颜色 / Emission Color

Color on demand White

典型色坐标 / Color acc. to CIE 1931 (typ.)

○ 0.325, 0.335 (typ.)

光通量 / Luminous Flux

280 lm – 450 lm

典型电压 / Voltage (typ.)

3.05 V

典型电流 / Current (typ.)

1000 mA

封装 / Package

2.0 x 1.6 x 0.8

发光角度 / View Angle at 50% I_v (typ.)

120°

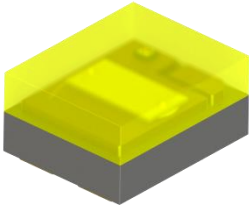
湿气等级 / Moisture Sensitivity Level

2

订购型号参考 / Order Number Reference

HVCW-2016PHX-5N8N-ebvF46fcbB46-1

Compact: Ceramics 2016 Series



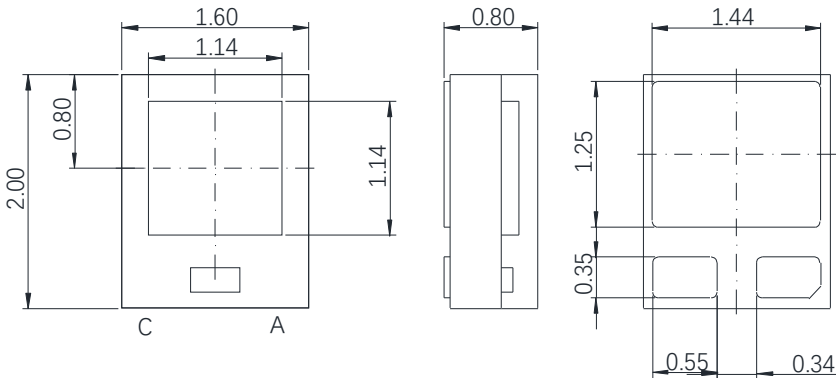
汽车照明、信号灯

(远近光灯、雾灯、日行灯等)

Automobile Lighting and signal lamp (High & Low light, fog lamp, DRL, etc.)

Packing Unit

3000 pcs / Reel




技术资料 / Technical Data

HVCW-2016TEX

发光颜色 / Emission Color

Color on demand White

典型色坐标 / Color acc. to CIE 1931 (typ.)

 0.325, 0.335 (typ.)

光通量 / Luminous Flux

28 lm – 52 lm

典型电压 / Voltage (typ.)

3.00 V

典型电流 / Current (typ.)

150 mA

封装 / Package

2.0 x 1.6 x 0.8

发光角度 / View Angle at 50% I_v (typ.)

120°

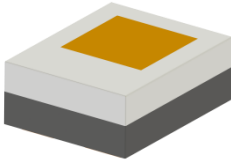
湿气等级 / Moisture Sensitivity Level

2

订购型号参考 / Order Number Reference

HVCW-2016TEX-HXJX-ebvF46fcbB46-1

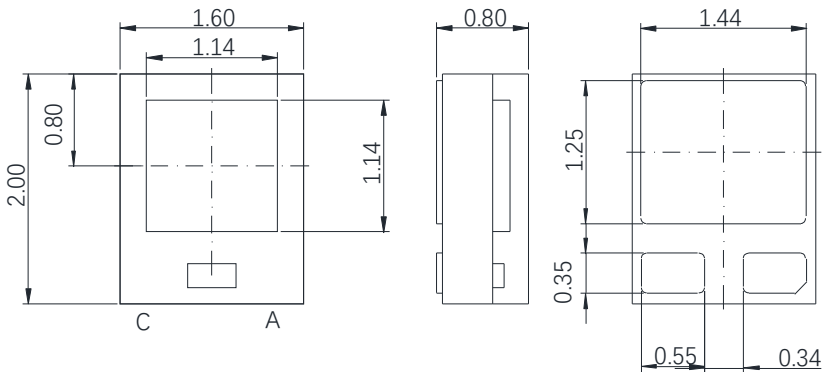
Compact: Ceramics 2016 Series



汽车信号灯
(转向灯、指示灯等)
Automobile signal lamp
(Turn Lamp, Indicator Light, etc.)

Packing Unit

3000 pcs / Reel



技术资料 / Technical Data

HVCY-2016THP

发光颜色 / Emission Color

Color on demand Yellow

典型色坐标 / Color acc. to CIE 1931 (typ.)

● 0.57, 0.42 (typ.)

光通量 / Luminous Flux

140 lm – 224 lm

典型电压 / Voltage (typ.)

3.25 V

典型电流 / Current (typ.)

1000mA

封装 / Package

2.0 x 1.6 x 0.8

发光角度 / View Angle at 50% I_v (typ.)

120°

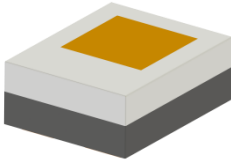
湿气等级 / Moisture Sensitivity Level

2

订购型号参考 / Order Number Reference

HVCY-2016THP-7L6M-5E-1

Compact: Ceramics 2016 Series



汽车信号灯

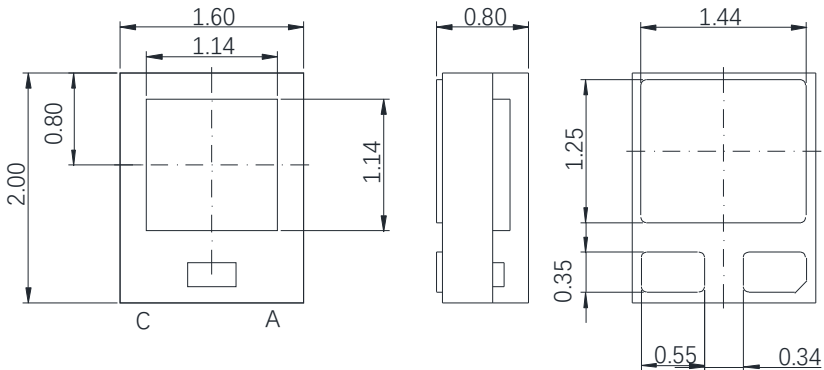
(转向灯、指示灯等)

Automobile signal lamp

(Turn Lamp, Indicator Light, etc.)

Packing Unit

3000 pcs / Reel



技术资料 / Technical Data

HVCY-2016TTPF

发光颜色 / Emission Color

Color on demand Yellow

典型色坐标 / Color acc. to CIE 1931 (typ.)

● 0.57, 0.42 (typ.)

光通量 / Luminous Flux

159 lm – 355 lm

典型电压 / Voltage (typ.)

3.25 V

典型电流 / Current (typ.)

1000mA

封装 / Package

2.0 x 1.6 x 0.8

发光角度 / View Angle at 50% Iv (typ.)

120°

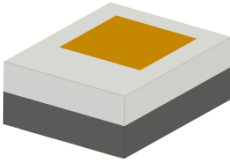
湿气等级 / Moisture Sensitivity Level

2

订购型号参考 / Order Number Reference

HVCY-2016TTPF-8L6N-5E-1

Compact: Ceramics 2016 Series



汽车信号灯

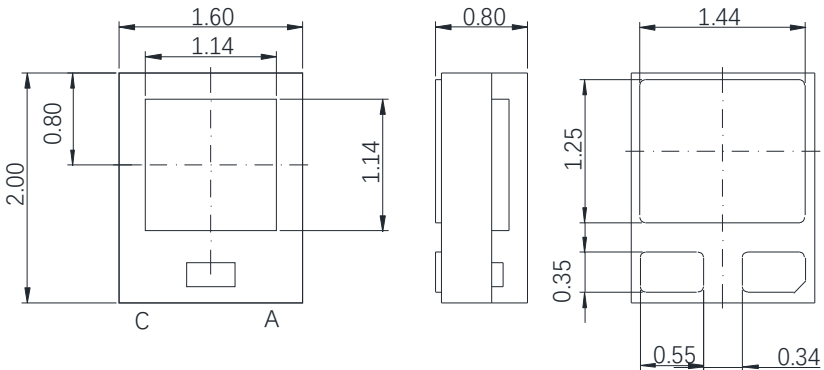
(转向灯、指示灯等)

Automobile signal lamp

(Turn Lamp, Indicator Light, etc.)

Packing Unit

3000 pcs / Reel



技术资料 / Technical Data

HVCY-2016PHX

发光颜色 / Emission Color

Color on demand Yellow

典型色坐标 / Color acc. to CIE 1931 (typ.)

● 0.57, 0.42 (typ.)

光通量 / Luminous Flux

140 lm – 224 lm

典型电压 / Voltage (typ.)

3.25 V

典型电流 / Current (typ.)

1000mA

封装 / Package

2.0 x 1.6 x 0.8

发光角度 / View Angle at 50% Iv (typ.)

120°

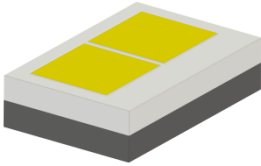
湿气等级 / Moisture Sensitivity Level

2

订购型号参考 / Order Number Reference

HVCY-2016PHX-7L6M-5E-1

Compact: Ceramics 3020 Series



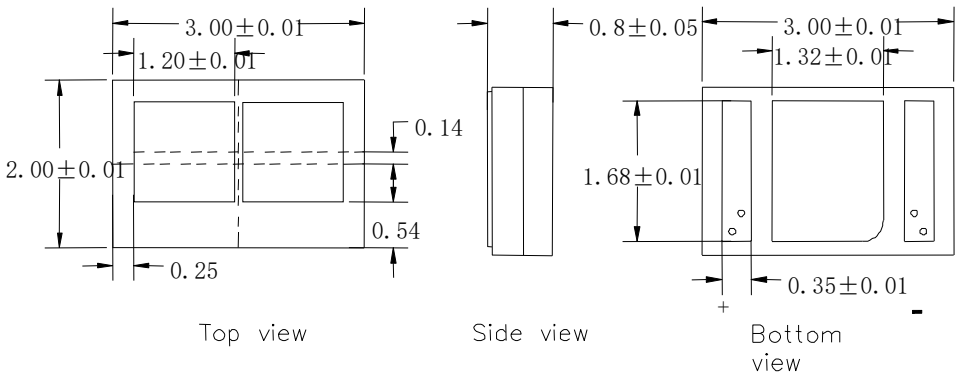
汽车照明、信号灯

(远近光灯、雾灯、日行灯等)

Automobile Lighting and signal lamp
(High & Low light, fog lamp, DRL, etc.)

Packing Unit

3000 pcs / Reel



技术资料 / Technical Data

HVCW-3020T2P

发光颜色 / Emission Color

Color on demand White

典型色坐标 / Color acc. to CIE 1931 (typ.)

○ 0.325, 0.335 (typ.)

光通量 / Luminous Flux

560 lm – 900 lm

典型电压 / Voltage (typ.)

6.15 V

典型电流 / Current (typ.)

1000 mA

封装 / Package

3.0 x 2.0 x 0.8

发光角度 / View Angle at 50% I_v (typ.)

120°

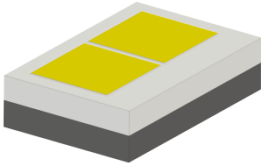
防潮等级 / Moisture Sensitivity Level

2

订购型号参考 / Order Number Reference

HVCW-3020T2P-7P6Q-ebvF46fcbB46-1

Compact: Ceramics 3020 Series



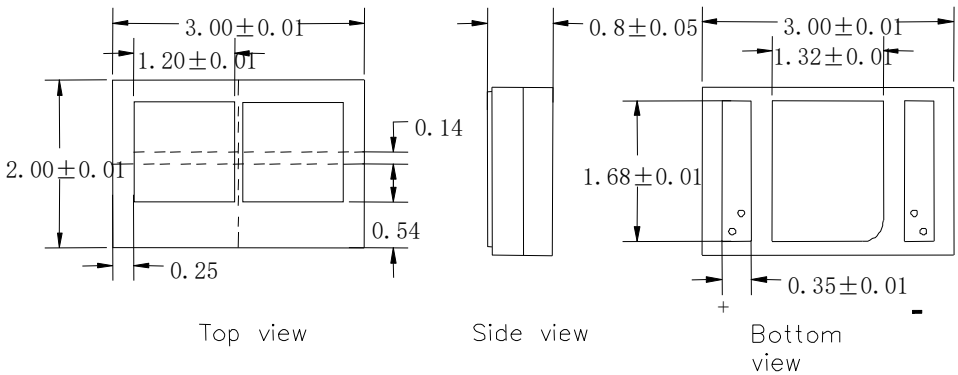
汽车照明、信号灯

(远近光灯、雾灯、日行灯等)

Automobile Lighting and signal lamp
(High & Low light, fog lamp, DRL, etc.)

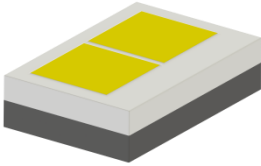
Packing Unit

3000 pcs / Reel



| 技术资料 / Technical Data | HVCW-3020T2PF |
|--|-----------------------|
| 发光颜色 / Emission Color | Color on demand White |
| 典型色坐标 / Color acc. to CIE 1931 (typ.) | ○ 0.325, 0.335 (typ.) |
| 光通量 / Luminous Flux | 560 lm – 900 lm |
| 典型电压 / Voltage (typ.) | 6.15 V |
| 典型电流 / Current (typ.) | 1000 mA |
| 封装 / Package | 3.0 x 2.0 x 0.8 |
| 发光角度 / View Angle at 50% I _v (typ.) | 120° |
| 防潮等级 / Moisture Sensitivity Level | 2 |
| 订购型号参考 / Order Number Reference | |
| HVCW-3020T2PF-7P6Q-ebvF46fcbB46-1 | |

Compact: Ceramics 3020 Series



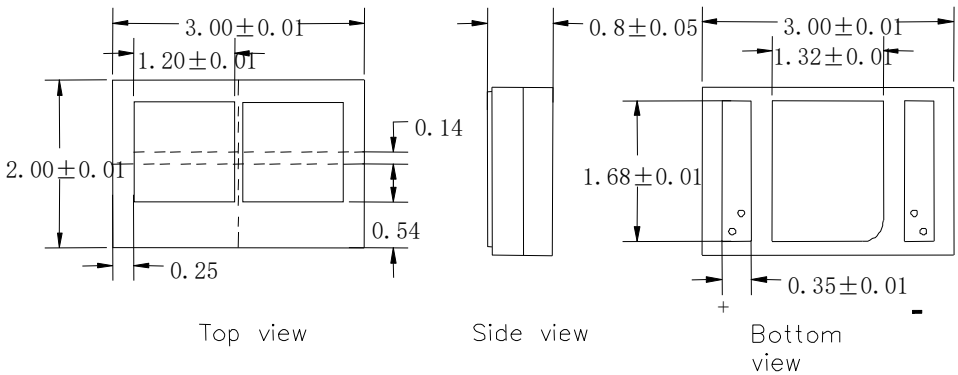
汽车照明、信号灯

(远近光灯、雾灯、日行灯等)

Automobile Lighting and signal lamp
(High & Low light, fog lamp, DRL, etc.)

Packing Unit

3000 pcs / Reel



技术资料 / Technical Data

HVCW-3020P2P

发光颜色 / Emission Color

Color on demand White

典型色坐标 / Color acc. to CIE 1931 (typ.)

○ 0.325, 0.335 (typ.)

光通量 / Luminous Flux

560 lm – 900 lm

典型电压 / Voltage (typ.)

6.15 V

典型电流 / Current (typ.)

1000 mA

封装 / Package

3.0 x 2.0 x 0.8

发光角度 / View Angle at 50% I_v (typ.)

120°

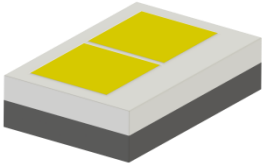
防潮等级 / Moisture Sensitivity Level

2

订购型号参考 / Order Number Reference

HVCW-3020P2P-7P6Q-ebvF46fcbB46-1

Compact: Ceramics 3020 Series



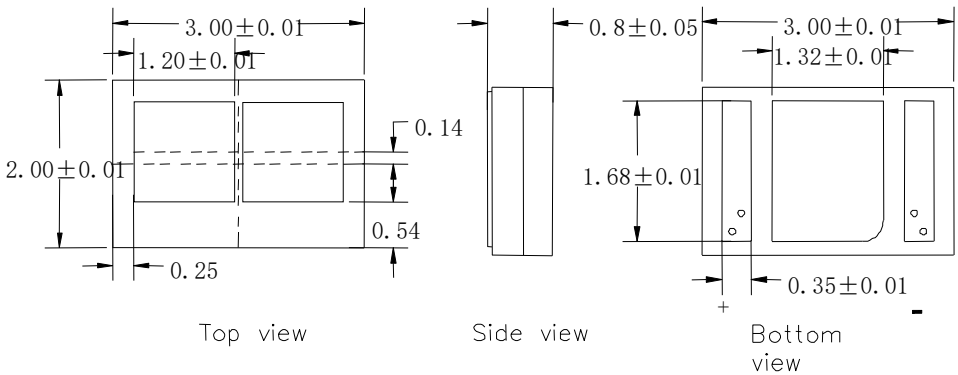
汽车照明、信号灯

(远近光灯、雾灯、日行灯等)

Automobile Lighting and signal lamp
(High & Low light, fog lamp, DRL, etc.)

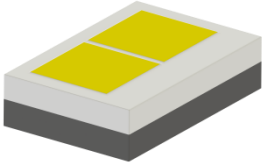
Packing Unit

3000 pcs / Reel



| 技术资料 / Technical Data | HVCW-3020P2PF |
|---------------------------------------|-----------------------|
| 发光颜色 / Emission Color | Color on demand White |
| 典型色坐标 / Color acc. to CIE 1931 (typ.) | ○ 0.325, 0.335 (typ.) |
| 光通量 / Luminous Flux | 560 lm – 900 lm |
| 典型电压 / Voltage (typ.) | 6.15 V |
| 典型电流 / Current (typ.) | 1000 mA |
| 封装 / Package | 3.0 x 2.0 x 0.8 |
| 发光角度 / View Angle at 50% Iv (typ.) | 120° |
| 防潮等级 / Moisture Sensitivity Level | 2 |
| 订购型号参考 / Order Number Reference | |
| HVCW-3020P2PF-7P6Q-ebvF46fcbB46-1 | |

Compact: Ceramics 3020 Series



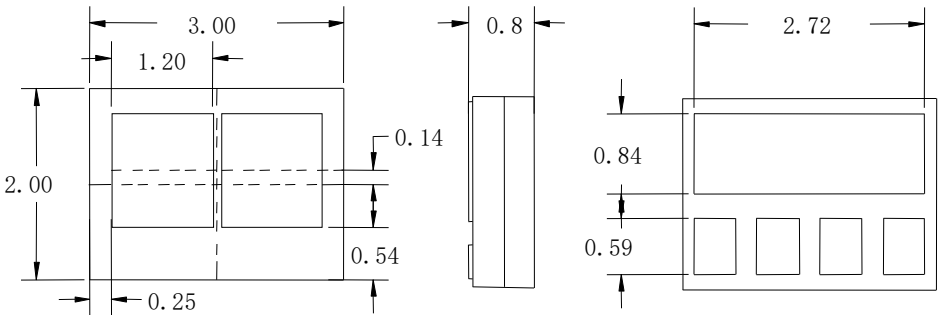
汽车照明、信号灯

(远近光灯、雾灯、日行灯等)

Automobile Lighting and signal lamp
(High & Low light, fog lamp, DRL, etc.)

Packing Unit

3000 pcs / Reel



技术资料 / Technical Data

HVCWW-3020T2P

发光颜色 / Emission Color

Color on demand White

典型色坐标 / Color acc. to CIE 1931 (typ.)

○ 0.325, 0.335 (typ.)

光通量 / Luminous Flux

280 lm – 355 lm/280 lm – 355 lm

典型电压 / Voltage (typ.)

3.25 V/3.25 V

典型电流 / Current (typ.)

1000 mA

封装 / Package

3.0 x 2.0 x 0.8

发光角度 / View Angle at 50% I_v (typ.)

120°

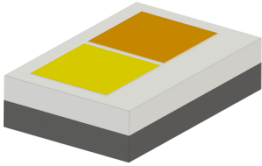
防潮等级 / Moisture Sensitivity Level

2

订购型号参考 / Order Number Reference

HVCWW-3020T2P-5N7N-ebvF46fcbB46+5N7N-ebvF46fcbB46-1

Compact: Ceramics 3020 Series

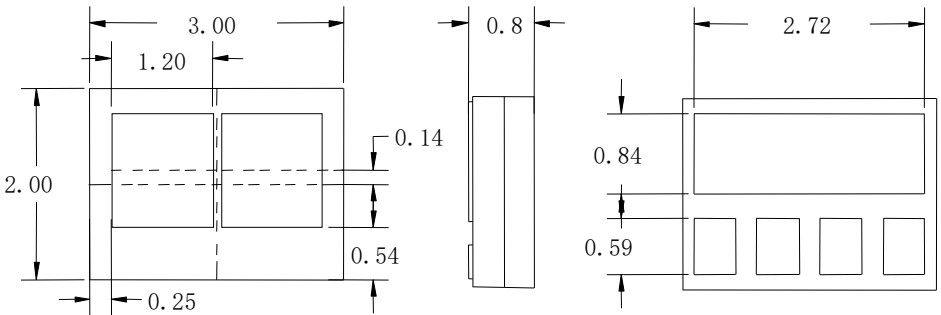


汽车照明、信号灯
(雾灯、日行灯等)

Automobile Lighting and signal lamp
(fog lamp, DRL, etc.)

Packing Unit

3000 pcs / Reel



技术资料 / Technical Data

HVCWY-3020T2P

发光颜色 / Emission Color

Yellow/White

典型色坐标 / Color acc. to CIE 1931 (typ.) ● 0.57, 0.42 (typ.)/ ○ 0.325, 0.335 (typ.)

光通量 / Luminous Flux

159 lm – 250 lm / 300 lm – 450 lm

典型电压 / Voltage (typ.)

3.25 V/3.25 V

典型电流 / Current (typ.)

1000 mA

封装 / Package

3.0 x 2.0 x 0.8

发光角度 / View Angle at 50% I_v (typ.)

120°

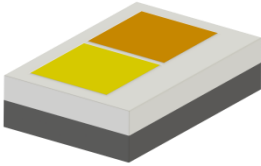
防潮等级 / Moisture Sensitivity Level

2

订购型号参考 / Order Number Reference

HVCWY-3020T2P-N68N-ebvF46fcbB46+5M6M-5E-1

Compact: Ceramics 3020 Series

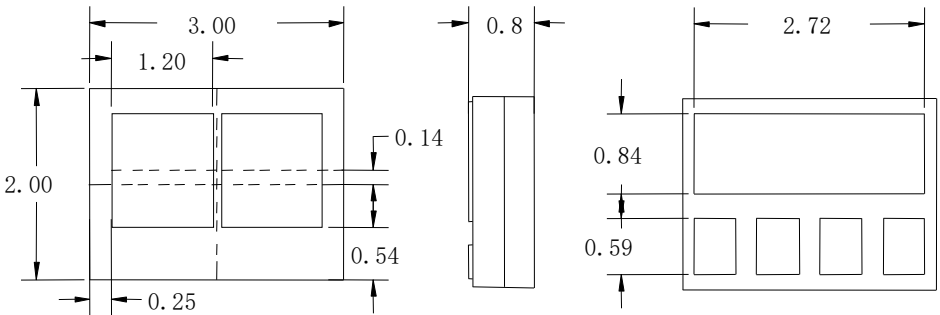


汽车照明、信号灯
(雾灯、日行灯等)

Automobile Lighting and signal lamp
(fog lamp, DRL, etc.)

Packing Unit

3000 pcs / Reel



技术资料 / Technical Data

HVCWY-3020T2PF

发光颜色 / Emission Color

Yellow/White

典型色坐标 / Color acc. to CIE 1931 (typ.) ● 0.57, 0.42 (typ.)/ ○ 0.325, 0.335 (typ.)

光通量 / Luminous Flux

180 lm – 280 lm / 300 lm – 450 lm

典型电压 / Voltage (typ.)

3.25 V/3.25 V

典型电流 / Current (typ.)

1000 mA

封装 / Package

3.0 x 2.0 x 0.8

发光角度 / View Angle at 50% I_v (typ.)

120°

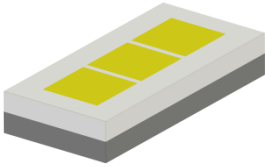
防潮等级 / Moisture Sensitivity Level

2

订购型号参考 / Order Number Reference

HVCWY-3020T2PF-N68N-ebvF46fcbB46+5M6M-5E-1

Compact: Ceramics 4220 Series



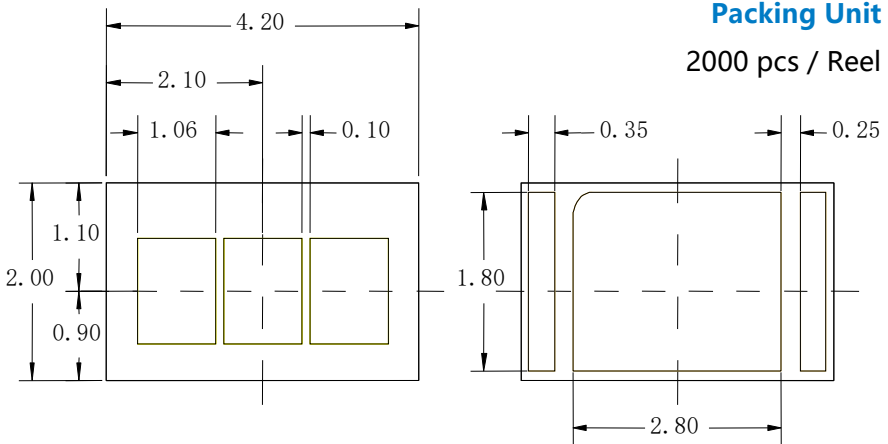
汽车照明、信号灯

(远近光灯、雾灯、日行灯等)

Automobile Lighting and signal lamp
(High & Low light, fog lamp, DRL, etc.)

Packing Unit

2000 pcs / Reel



技术资料 / Technical Data

HVCW-4220T3P

发光颜色 / Emission Color

Color on demand White

典型色坐标 / Color acc. to CIE 1931 (typ.)

○ 0.325, 0.335 (typ.)

光通量 / Luminous Flux

800 lm – 1100 lm

典型电压 / Voltage (typ.)

9.50 V

典型电流 / Current (typ.)

1000 mA

封装 / Package

4.2 x 2.0 x 0.8

发光角度 / View Angle at 50% Iv (typ.)

120°

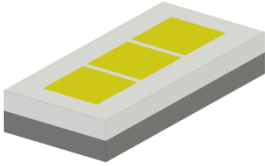
防潮等级 / Moisture Sensitivity Level

2

订购型号参考 / Order Number Reference

HVCW-4220T3P-G3H2-ebvF46fcbB46-1

Compact: Ceramics 4220 Series



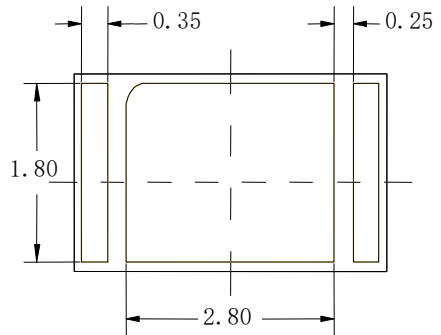
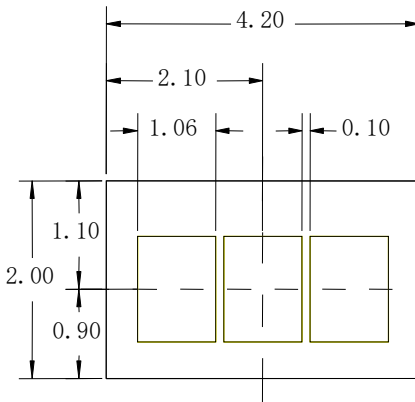
汽车照明、信号灯

(远近光灯、雾灯、日行灯等)

Automobile Lighting and signal lamp
(High & Low light, fog lamp, DRL, etc.)

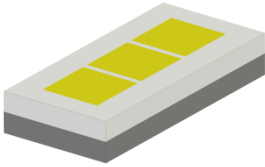
Packing Unit

2000 pcs / Reel



| 技术资料 / Technical Data | HVCW-4220T3PF |
|---------------------------------------|-----------------------|
| 发光颜色 / Emission Color | Color on demand White |
| 典型色坐标 / Color acc. to CIE 1931 (typ.) | ○ 0.325, 0.335 (typ.) |
| 光通量 / Luminous Flux | 800 lm – 1100 lm |
| 典型电压 / Voltage (typ.) | 9.50 V |
| 典型电流 / Current (typ.) | 1000 mA |
| 封装 / Package | 4.2 x 2.0 x 0.8 |
| 发光角度 / View Angle at 50% Iv (typ.) | 120° |
| 防潮等级 / Moisture Sensitivity Level | 2 |
| 订购型号参考 / Order Number Reference | |
| HVCW-4220T3PF-G3H2-ebvF46fcbB46-1 | |

Compact: Ceramics 4220 Series



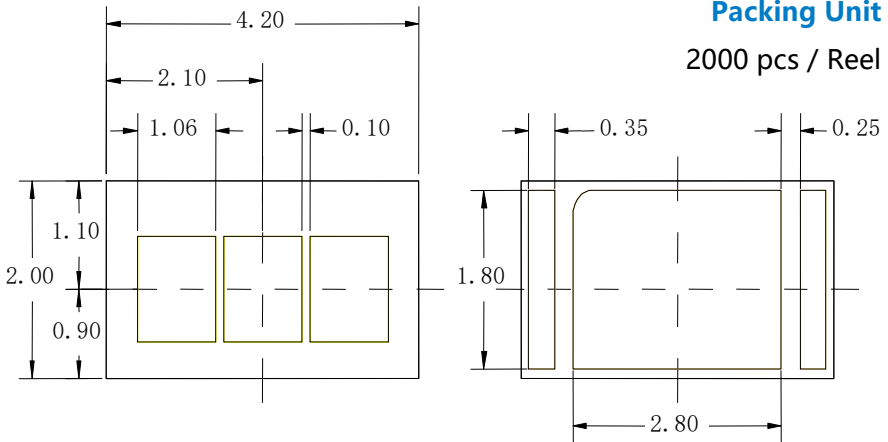
汽车照明、信号灯

(远近光灯、雾灯、日行灯等)

Automobile Lighting and signal lamp
(High & Low light, fog lamp, DRL, etc.)

Packing Unit

2000 pcs / Reel



技术资料 / Technical Data

HVCW-4220P3P

发光颜色 / Emission Color

Color on demand White

典型色坐标 / Color acc. to CIE 1931 (typ.)

○ 0.325, 0.335 (typ.)

光通量 / Luminous Flux

800 lm – 1100 lm

典型电压 / Voltage (typ.)

9.50 V

典型电流 / Current (typ.)

1000 mA

封装 / Package

4.2 x 2.0 x 0.8

发光角度 / View Angle at 50% Iv (typ.)

120°

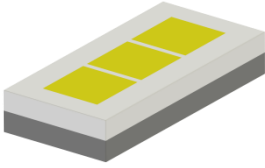
防潮等级 / Moisture Sensitivity Level

2

订购型号参考 / Order Number Reference

HVCW-4220P3P-G3H2-ebvF46fcbB46-1

Compact: Ceramics 4220 Series



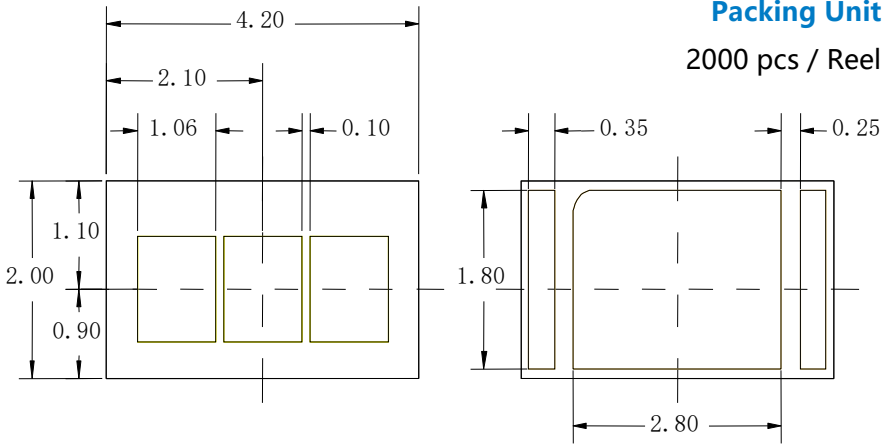
汽车照明、信号灯

(远近光灯、雾灯、日行灯等)

Automobile Lighting and signal lamp
(High & Low light, fog lamp, DRL, etc.)

Packing Unit

2000 pcs / Reel



技术资料 / Technical Data

HVCW-4220P3PF

发光颜色 / Emission Color

Color on demand White

典型色坐标 / Color acc. to CIE 1931 (typ.)

○ 0.325, 0.335 (typ.)

光通量 / Luminous Flux

800 lm – 1100 lm

典型电压 / Voltage (typ.)

9.50 V

典型电流 / Current (typ.)

1000 mA

封装 / Package

4.2 x 2.0 x 0.8

发光角度 / View Angle at 50% I_v (typ.)

120°

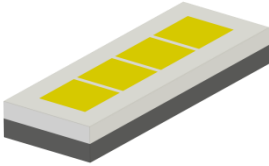
防潮等级 / Moisture Sensitivity Level

2

订购型号参考 / Order Number Reference

HVCW-4220P3PF-G3H2-ebvF46fcbB46-1

Compact: Ceramics 5520 Series



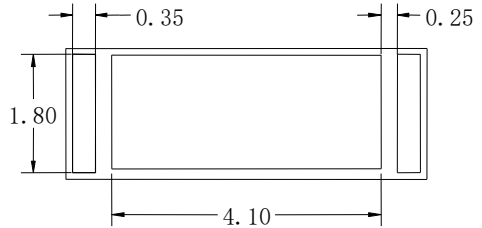
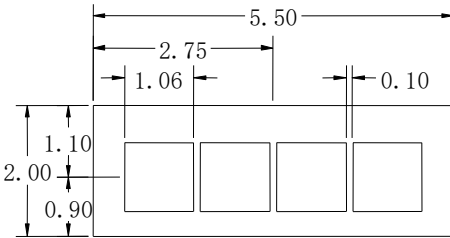
汽车照明、信号灯

(远近光灯、雾灯、日行灯等)

Automobile Lighting and signal lamp
(High & Low light, fog lamp, DRL, etc.)

Packing Unit

2000 pcs / Reel



技术资料 / Technical Data

HVCW-5520T4P

发光颜色 / Emission Color

Color on demand White

典型色坐标 / Color acc. to CIE 1931 (typ.)

○ 0.325, 0.335 (typ.)

光通量 / Luminous Flux

1000 lm – 1600 lm

典型电压 / Voltage (typ.)

12.50 V

典型电流 / Current (typ.)

1000 mA

封装 / Package

5.5 x 2.0 x 0.8

发光角度 / View Angle at 50% Iv (typ.)

120°

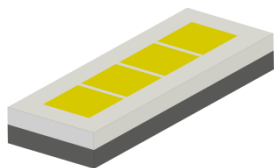
防潮等级 / Moisture Sensitivity Level

2

订购型号参考 / Order Number Reference

HVCW-5520T4P-J2J5-ebvF46fcbB46-1

Compact: Ceramics 5520 Series



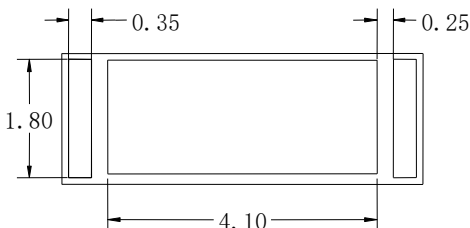
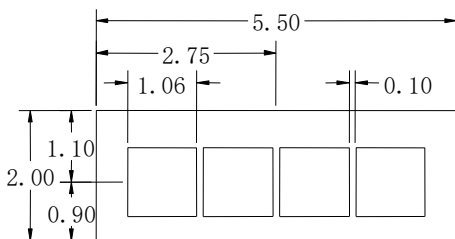
汽车照明、信号灯

(远近光灯、雾灯、日行灯等)

Automobile Lighting and signal lamp
(High & Low light, fog lamp, DRL, etc.)

Packing Unit

2000 pcs / Reel



技术资料 / Technical Data

HVCW-5520T4PF

发光颜色 / Emission Color

Color on demand White

典型色坐标 / Color acc. to CIE 1931 (typ.)

○ 0.325, 0.335 (typ.)

光通量 / Luminous Flux

1000 lm – 1600 lm

典型电压 / Voltage (typ.)

12.50 V

典型电流 / Current (typ.)

1000 mA

封装 / Package

5.5 x 2.0 x 0.8

发光角度 / View Angle at 50% Iv (typ.)

120°

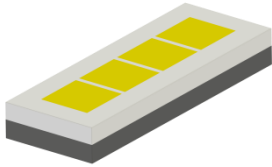
防潮等级 / Moisture Sensitivity Level

2

订购型号参考 / Order Number Reference

HVCW-5520T4PF-J2J5-ebvF46fcbB46-1

Compact: Ceramics 5520 Series



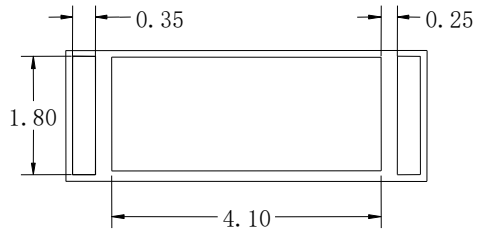
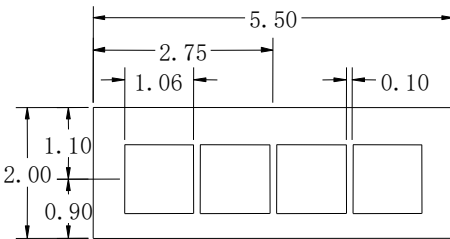
汽车照明、信号灯

(远近光灯、雾灯、日行灯等)

Automobile Lighting and signal lamp
(High & Low light, fog lamp, DRL, etc.)

Packing Unit

2000 pcs / Reel



技术资料 / Technical Data

HVCW-5520P4P

发光颜色 / Emission Color

Color on demand White

典型色坐标 / Color acc. to CIE 1931 (typ.)

○ 0.325, 0.335 (typ.)

光通量 / Luminous Flux

1000 lm – 1600 lm

典型电压 / Voltage (typ.)

12.50 V

典型电流 / Current (typ.)

1000 mA

封装 / Package

5.5 x 2.0 x 0.8

发光角度 / View Angle at 50% Iv (typ.)

120°

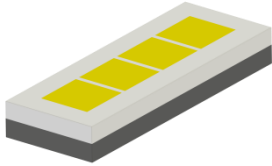
防潮等级 / Moisture Sensitivity Level

2

订购型号参考 / Order Number Reference

HVCW-5520P4P-J2J5-ebvF46fcbB46-1

Compact: Ceramics 5520 Series



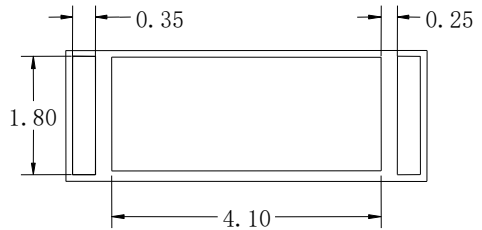
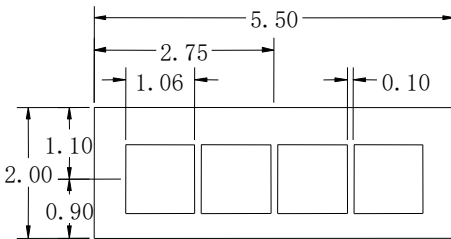
汽车照明、信号灯

(远近光灯、雾灯、日行灯等)

Automobile Lighting and signal lamp
(High & Low light, fog lamp, DRL, etc.)

Packing Unit

2000 pcs / Reel



技术资料 / Technical Data

HVCW-5520P4PF

发光颜色 / Emission Color

Color on demand White

典型色坐标 / Color acc. to CIE 1931 (typ.)

○ 0.325, 0.335 (typ.)

光通量 / Luminous Flux

1000 lm – 1600 lm

典型电压 / Voltage (typ.)

12.50 V

典型电流 / Current (typ.)

1000 mA

封装 / Package

5.5 x 2.0 x 0.8

发光角度 / View Angle at 50% I_v (typ.)

120°

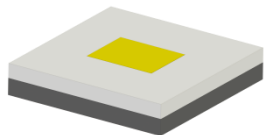
防潮等级 / Moisture Sensitivity Level

2

订购型号参考 / Order Number Reference

HVCW-5520P4PF-J2J5-ebvF46fcbB46-1

Compact: Ceramics 3938 Series



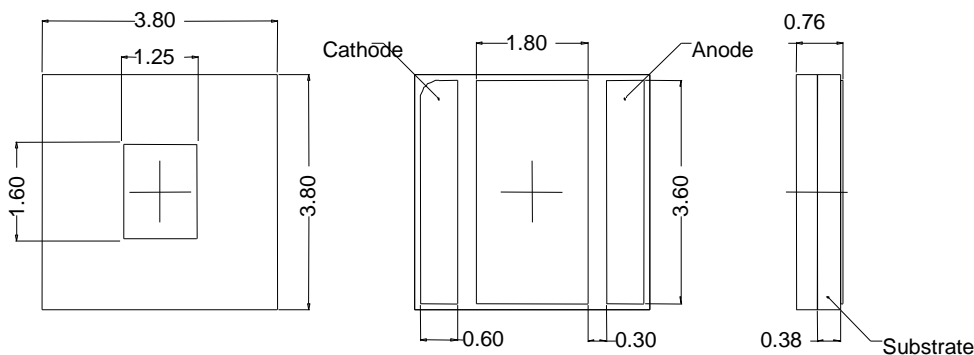
汽车照明、信号灯

(远近光灯、雾灯、日行灯等)

Automobile Lighting and signal lamp
(High & Low light, fog lamp, DRL, etc.)

Packing Unit

2000 pcs / Reel



技术资料 / Technical Data

HVCW-3938TLP

发光颜色 / Emission Color

Color on demand White

典型色坐标 / Color acc. to CIE 1931 (typ.)

○ 0.325, 0.335 (typ.)

光通量 / Luminous Flux

1000 lm – 1450 lm

典型电压 / Voltage (typ.)

3.35 V

典型电流 / Current (typ.)

6000 mA

封装 / Package

3.80 x 3.80 x 0.76

发光角度 / View Angle at 50% I_v (typ.)

120°

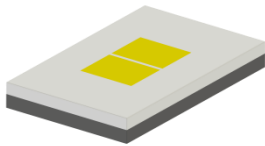
防潮等级 / Moisture Sensitivity Level

2

订购型号参考 / Order Number Reference

HVCW-3938TLP-J2J4-ebvF46fcbB46-1

Compact: Ceramics 6038 Series



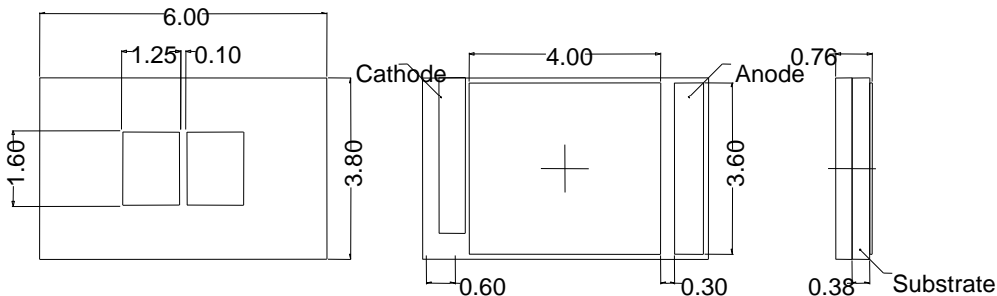
汽车照明、信号灯

(远近光灯、雾灯、日行灯等)

Automobile Lighting and signal lamp (High
& Low light, fog lamp, DRL, etc.)

Packing Unit

1000 pcs / Reel



技术资料 / Technical Data

HVCW-6038T2P

发光颜色 / Emission Color

Color on demand White

典型色坐标 / Color acc. to CIE 1931 (typ.)

○ 0.325, 0.335 (typ.)

光通量 / Luminous Flux

1400 lm – 2500 lm

典型电压 / Voltage (typ.)

6.70 V

典型电流 / Current (typ.)

6000 mA

封装 / Package

6.00 x 3.80 x 0.76

发光角度 / View Angle at 50% I_v (typ.)

120°

防潮等级 / Moisture Sensitivity Level

2

订购型号参考 / Order Number Reference

HVCW-6038T2P-7R7S-ebvF46fcbB46-1

To be Update...



Official website
(Desktop)



Official website
(Mobile)

Add: No.1, Xianke yi Road, Huadong Town,
Huadu District, Guangzhou City.

Tel: 020-8673 3333转3325

Fax: 020-8673 3333转3325

E-mail: hl_auto@honglitrionic.com



IATF16949
ISO9001 ISO14001



AEC-Q102 IEC60810 ISO 14001 ISO 9001 IATF16949